

High-frequency, integral cable accelerometers

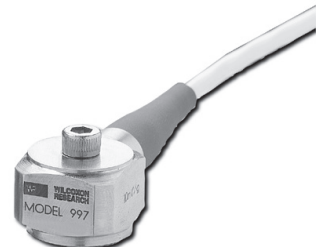
997 series

SPECIFICATIONS

Sensitivity, $\pm 10\%$, 25°C		10 mV/g
Acceleration range		600 g peak
Amplitude nonlinearity		1%
Frequency response:	$\pm 5\%$	1.5 - 20,000 Hz
	$\pm 10\%$	1.0 - 25,000 Hz
	± 3 dB	0.5 - 29,000 Hz
Resonance frequency, mounted		>45 kHz
Transverse sensitivity, max		3% of axial
Temperature response:	-55°C	+1%
	-25°C	-1%
	+120°C	+8%
Power requirement:		
Voltage source		18 - 30 VDC
Current regulating diode		2 - 10 mA
Electrical noise, equiv. g, nominal:		
Broadband	2.5 Hz to 25 kHz	1,000 μ g
	10 Hz	25 μ g/ $\sqrt{\text{Hz}}$
Spectral	100 Hz	9 μ g/ $\sqrt{\text{Hz}}$
	1,000 Hz	7 μ g/ $\sqrt{\text{Hz}}$
Output impedance, max		100 Ω
Bias output voltage, nominal		12 VDC
Grounding		case isolated, internally shielded
Turn-on time		<1 sec
Temperature range		-50° to +120°C
Vibration limit		1,000 g
Shock limit		5,000 g peak
Sealing		hermetic
Base strain sensitivity, max		0.0005 g/ μ strain
Weight		35 grams
Case material		316L stainless steel
Mounting:	997	8-32 captive screw
	997-M4	M4 captive screw
Integral cabling		J10, 16 ft., Enviroprene, two-conductor shielded

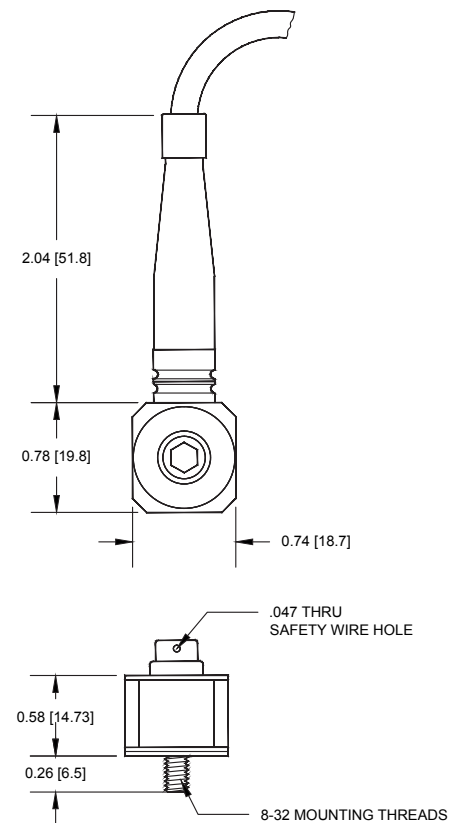
Accessories supplied: Captive screw (type depends on model); calibration data (level 2)

Options: Cable length



Key features

- Available models: 997 (8-32 captive screw) and 997-M4 (M4 captive screw)
- High amplitude range
- Manufactured in ISO 9001 facility



Connections	
Function	Cable conductor color
power/signal	white
common	black
case	shield



Note: Due to continuous process improvement, specifications are subject to change without notice.
This document is cleared for public release.

X-ON Electronics

Largest Supplier of Electrical and Electronic Components

Click to view similar products for [Accelerometers](#) category:

Click to view products by [Amphenol](#) manufacturer:

Other Similar products are found below :

[AD22372Z-RL7](#) [ADXL313WACPZ-RL](#) [805M1-0050-01](#) [MXC6655XA](#) [MMA7455LT](#) [805M1-0200-01](#) [810M1-0025X](#) [3038-0050](#) [832M1-0050](#) [805-0050](#) [AD22301](#) [ADXL354BEZ](#) [SCA620-EF8H1A-1](#) [MC3413](#) [MXC6244AU](#) [3038-0500](#) [ACH-01-04/10](#) [4692](#) [735T](#) [787-500](#) [787AM8](#) [793-6](#) [793L](#) [997-M4](#) [HV101](#) [HV102](#) [HV200](#) [PC420AR-10](#) [PC420VP-50](#) [PC420VR-10](#) [786A](#) [786A-IS](#) [787A](#) [787A-IS](#) [HT786A](#) [HT787A](#) [PC420VP-10](#) [ADCMXL1021-1BMLZ](#) [ADIS16003CCCZ](#) [ADIS16228CMLZ](#) [ADXL700WBRWZ-RL](#) [ADXL103CE-REEL](#) [ADXL203CE-REEL](#) [ADXL206HDZ](#) [ADXL213AE](#) [ADXL213AE-REEL](#) [ADXL288WBRDZ-RL](#) [ADXL295WBRDZ-RL](#) [ADXL326BCPZ-RL7](#) [ADXL337BCPZ-RL7](#)