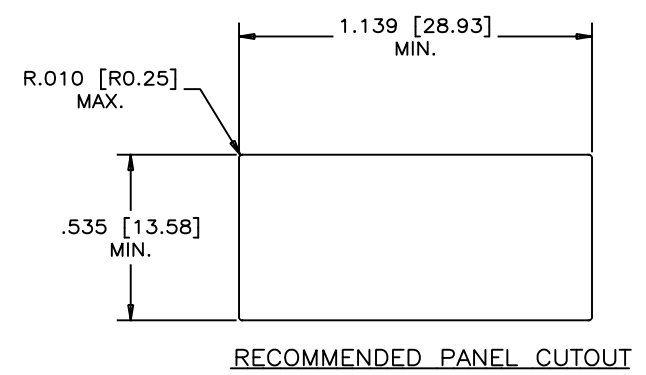
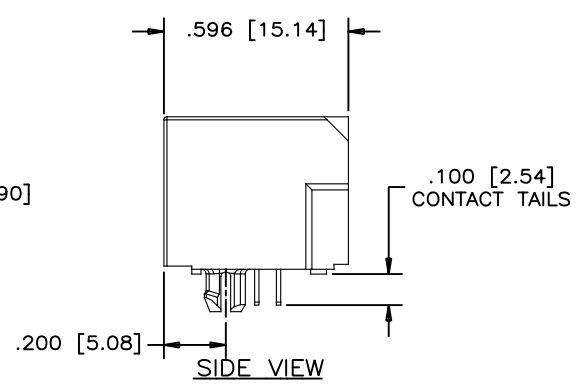
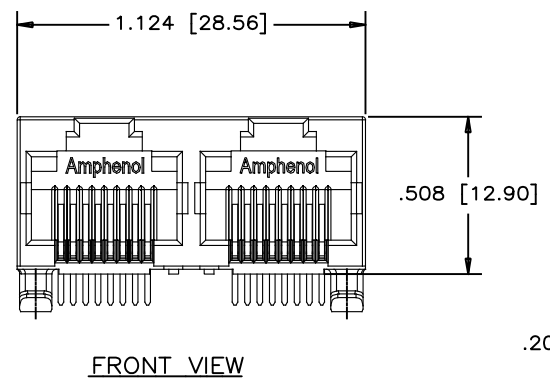
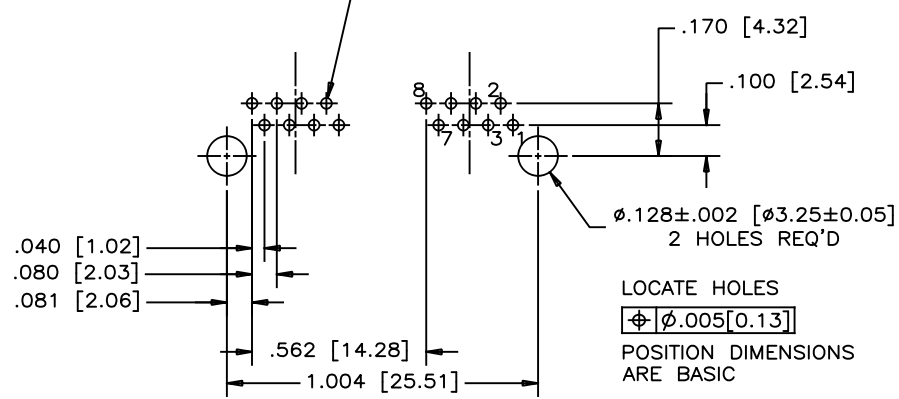


REVISIONS			
REV	DESCRIPTION, ECN, EAR NO.	DATE	APP'D
A	PROPOSAL	JAN 16/19	L.CHAN



$\phi .035 \pm .002$ [$\phi 0.89 \pm 0.05$]
24 HOLES REQ'D
BASED ON 2 LEDS PER PORT



- MATERIALS:**
 PLASTIC HOUSING: HIGH TEMPERATURE THERMOPLASTIC
 FLAMMABILITY RATING UL 94V-0, COLOUR: BLACK

 CONTACTS: PHOSPHOR BRONZE
 PLATING: SELECTIVE GOLD PLATING ON MATING SURFACES,
 SEE AMPHENOL PART NUMBER FOR DETAIL.
 50 μ " [1.27 MICRONS] MIN. NICKEL UNDERPLATE
 100 μ " [2.54 MICRONS] MIN. MATTE TIN ON CONTACT TAILS
- RECOMMENDED SOLDERING TEMPERATURE:**
 WAVE SOLDERING AT 260° C MAXIMUM FOR 5 SEC MAXIMUM.

- PART NUMBER:** RJE39-288-0X00
 GOLD PLATING OPTION
 0=GOLD FLASH
 1=6u" GOLD PLATING
 2=15u" GOLD PLATING
 3=30u" GOLD PLATING
 4=50u" GOLD PLATING



UNLESS SPECIFIED OTHERWISE		DRAWN	W.QIU	DATE	JAN18/19	Amphenol Canada Corp. Commercial Products
PRIMARY UNITS	INCH	CHECKED	L.CHAN	DATE	JAN16/19	
SECONDARY UNITS	MILLIMETER	M.E. APP'D				TITLE
REFERENCE IN PARENTHESES		Q.A. APP'D				2 PORT HIGH SPEED MODULAR JACK, 8 POSITION, 8 CONTACTS, UNSHIELDED, WITHOUT LED- RoHS COMPLIANT
GENERAL TOLERANCES		DWG APPR.				DWG. NO.
1 DECIMAL PLACE	±0.025	ENG. REL. NO.				P-RJE39-288-0X00
2 DECIMAL PLACES	±0.020	REF.				REV
3 DECIMAL PLACES	±0.015	THIRD ANGLE PROJECTION				A
ANGULAR DEGREES	±1.0°	DO NOT SCALE DRAWING				CODE ID NO. 03554 DWG SIZE: c SCALE: N/A SHEET 1 OF 1

THIS DOCUMENT CONTAINS PROPRIETARY INFORMATION AND SUCH INFORMATION MAY NOT BE DISCLOSED TO OTHERS FOR ANY PURPOSE OR USED FOR MANUFACTURING PURPOSES WITHOUT WRITTEN PERMISSION FROM AMPHENOL CANADA CORP.

X-ON Electronics

Largest Supplier of Electrical and Electronic Components

Click to view similar products for [Modular Connectors](#) / [Ethernet Connectors](#) category:

Click to view products by [Amphenol](#) manufacturer:

Other Similar products are found below :

[RJE231881317T](#) [MP1010RX-1000](#) [MP44RX-1000](#) [GAX-3-66](#) [GAX-8-62](#) [93606-0253](#) [GD-A-44](#) [GDCX-PA-66-50](#) [GDCX-PN-64](#) [GDCX-PN-66](#) [GDCX-PN-66-50](#) [GDLX-A-66](#) [GDLX-A-88](#) [GDLX-N-66](#) [GDLX-S-88K](#) [GDTX-S-88-50](#) [GDX-PA-1010](#) [GLX-N-1010M-BLK](#) [GLX-N-44M](#) [GLX-S-88M-BLK](#) [GMX-N-1010](#) [GMX-S-1010](#) [GMX-S-66](#) [GMX-SMT2-N-1010](#) [GMX-SMT2-N-64-50](#) [GMX-SMT2-S6-88](#) [GMX-SMT4-N-88](#) [GPX-2-64](#) [GRT1-BT1-5](#) [GSGX-N-2-88](#) [GSX-NS2-88-3.05](#) [GSX-NS2-88-3.05-50](#) [GSX-NS-88-3.05-30](#) [GSX-NS-88-3.05-50](#) [GSX-NS-88-3.68](#) [1-1775629-2](#) [GWLX-S-88-GR](#) [GWLX-S9-88-YG](#) [1300500326](#) [1300500227](#) [1300530003](#) [1300570002](#) [1324640-4](#) [RJ11FTVC2G](#) [RJ11FTVC2N](#) [RJFTVX2SA1G](#) [132764-001](#) [1400000](#) [1413176](#) [1413235](#)