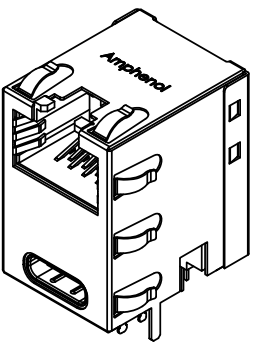
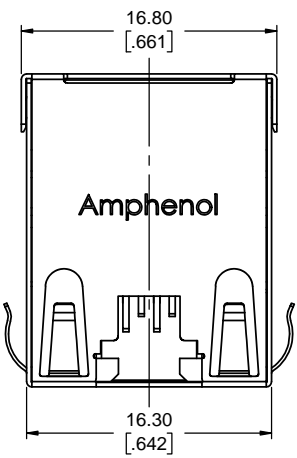
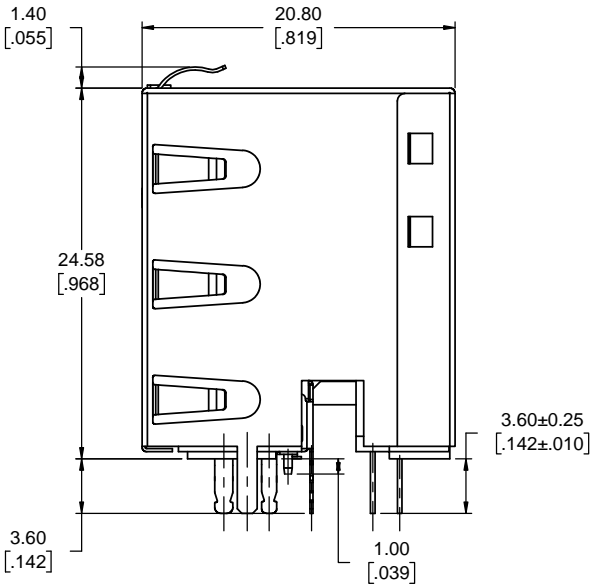
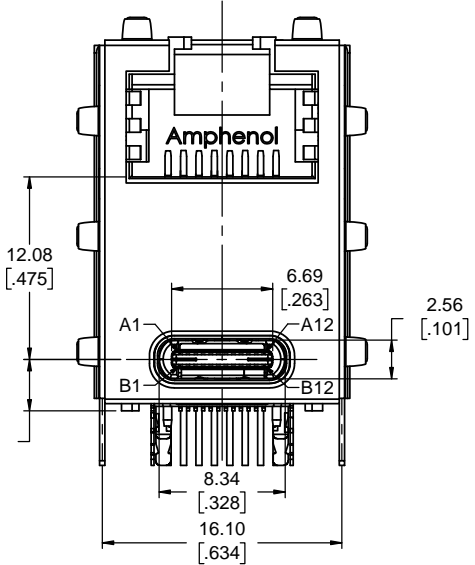


REVISIONS			
REV	DESCRIPTION, ECN, EAR NO.	DATE	APP'D
A	NEW PROPOSAL RELEASE	JUL11/2018	L.CHAN



NOTES:
 1. RJ45:
 HOUSING: HIGH TEMPERATURE THERMOPLASTIC
 FLAMMABILITY RATING UL 94V-0, COLOR: BLACK
 CONTACTS: PHOSPHOR BRONZE, PLATING: SELECTIVE GOLD PLATING ON THE MATING AREA, 50u" [1.27 MICRONS] MIN. NICKEL UNDERPLATE, WITH 100u" MATTE TIN PLATING ON THE TAILS, STAINLESS STEEL WITH TIN FINISHED PCB TAILS.
 RJ45 PORT CAPABLE OF SUPPORTING 1000BASE-T or 2.5GBASE-T. CATEGORY 5e PERFORMANCE:

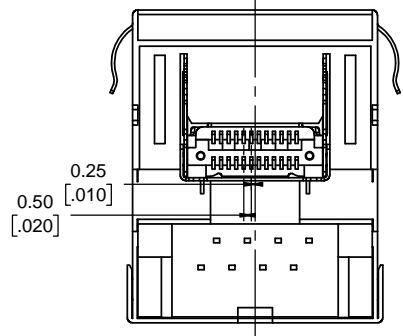
FREQUENCY MHZ	NEAR-END CROSS TALK dB, MIN.	RETURN LOSS dB, MIN.	INSERTION LOSS dB, MAX.
1.0	65	30	0.1
4.0	65	30	0.1
8.0	64.9	30	0.1
10.0	63	30	0.1
16.0	58.9	30	0.2
20.0	57	30	0.2
25.0	55	30	0.2
31.25	53.1	30	0.2
62.5	47.1	24.1	0.3
100.0	43	20	0.4



2. TYPE C
 HOUSING: HIGH TEMPERATURE THERMOPLASTIC
 FLAMMABILITY RATING UL 94V-0, COLOR: BLACK
 CONTACTS: PHOSPHOR BRONZE
 PLATING: 30u" [0.76 MICRONS] MIN. GOLD OVER 50u" [1.27 MICRONS] MIN. NICKEL ON THE MATING AREA WITH MATTE TIN OVER NICKEL ON THE TAILS. STAINLESS STEEL, 50u" [1.27 MICRONS] MIN. NICKEL OVERALL.

AMPHENOL PART NUMBER: RJE4E-188-1X01

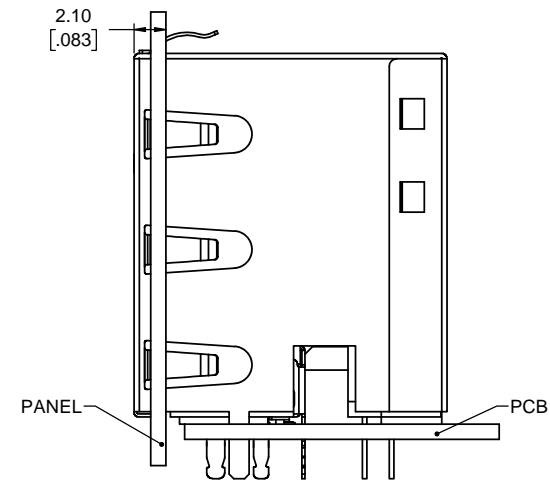
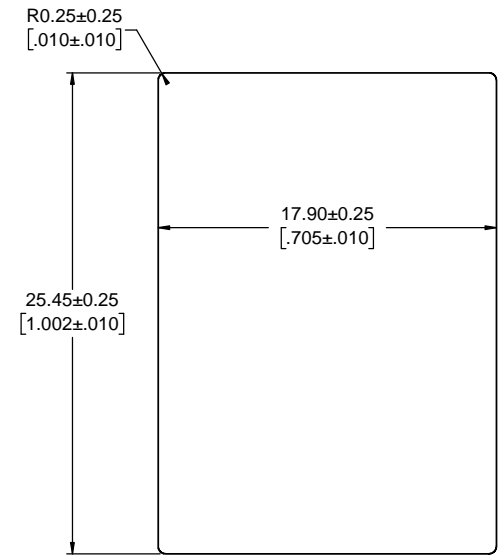
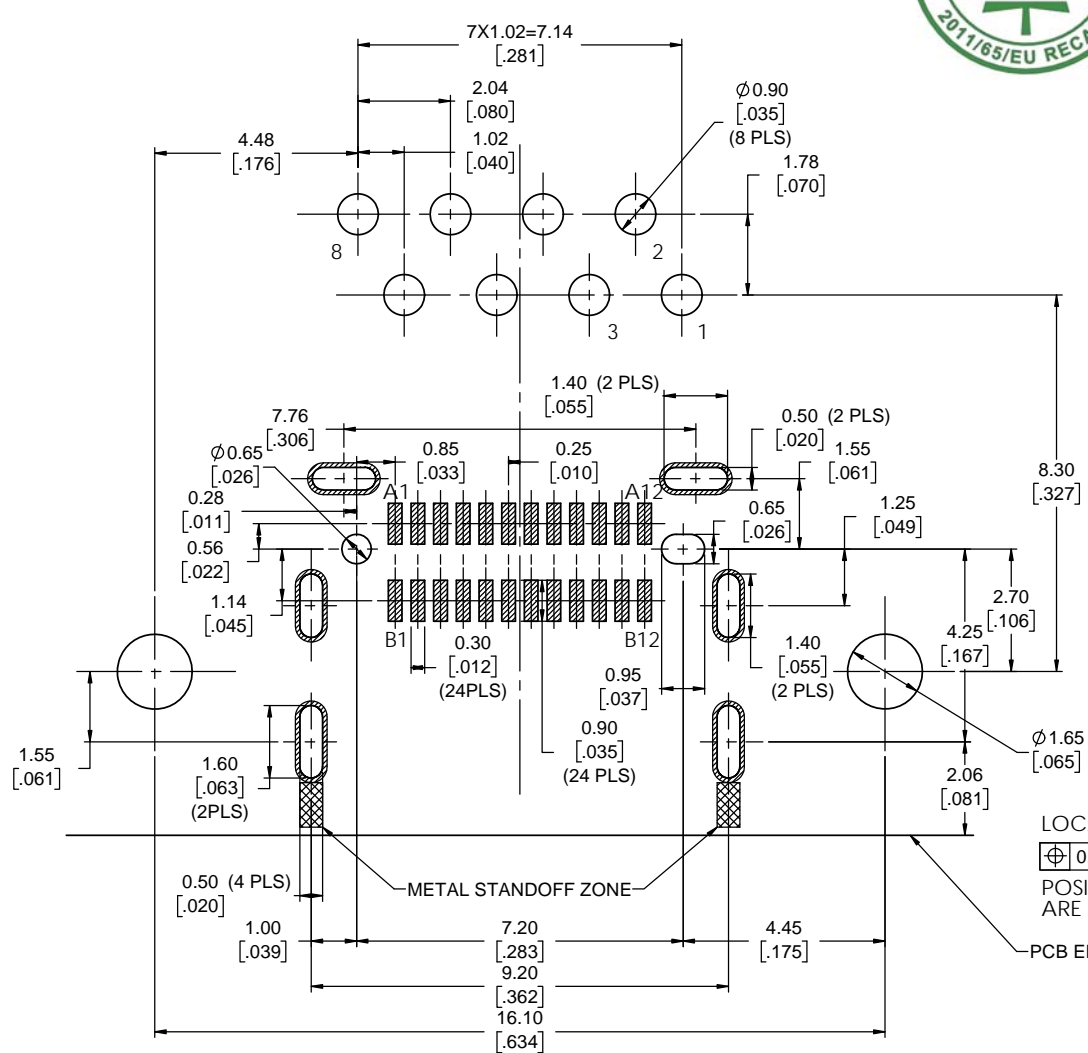
- GOLD PLATING OPTION
- 1= 6u" GOLD PLATING
- 2= 15u" GOLD PLATING
- 3= 30u" GOLD PLATING
- 4= 50u" GOLD PLATING



UNLESS SPECIFIED OTHERWISE	DRAWN	JACK.GUO	JUL11/18	Amphenol Canada Corp. Commercial Products TITLE RJ45(CAT5e) OVER USB TYPE C MODULAR JACK, 8P8C, SHIELDED WITH TOP AND SIDE TABS, WITHOUT LED, SUITABLE FOR REFLOW PROCESS, ESD TRAY PACKAGE - RoHS COMPLIANT DWG. NO. P-RJE4E-188-1X01	REV
PRIMARY UNITS MILLIMETERS	CHECKED	L.CHAN	JUL11/18		A
SECONDARY INCHES	ME	APPD			
REFERENCE IN PARENTHESES	QA	APPD			
GENERAL TOLERANCES	DWG APPR.	A.GREEN	JUL11/18		
1 DECIMAL PLACE ±0.38	ENG. REL. NO.				
2 DECIMAL PLACES ±0.25	REF.	EAR RJ18136			
3 DECIMAL PLACES ±0.13	THIRD ANGLE PROJECTION				
ANGULAR DEGREES ±1.5°	DO NOT SCALE DRAWING				
	CODE ID NO.	03554	DWG SIZE: X	SCALE: 4:1	SHEET 1 OF 3



REVISIONS			
REV	DESCRIPTION, ECN, EAR NO.	DATE	APP'D
A	NEW PROPOSAL RELEASE	JUL11/2018	L.CHAN



RECOMMENDED P.C.B LAYOUT
COMPONENT SIDE TO BOARD
TOLERANCE: ±[.002]0.05

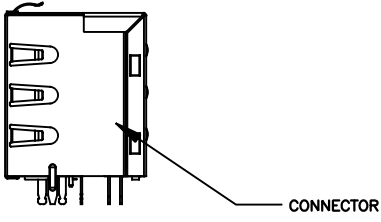
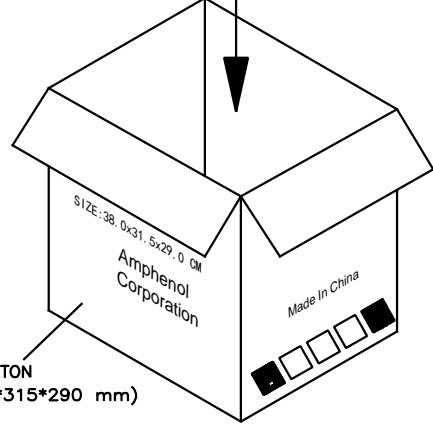
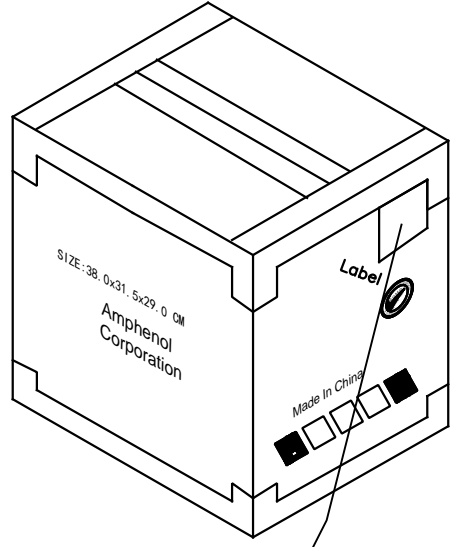
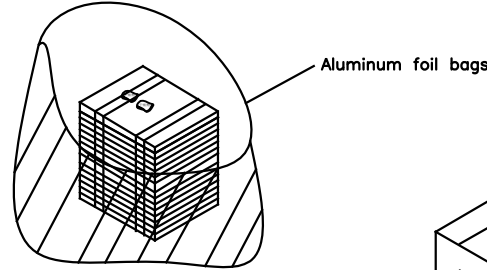
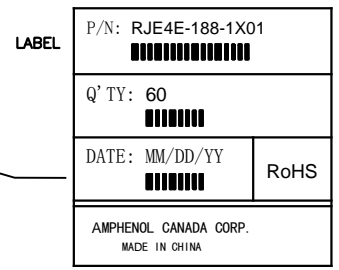
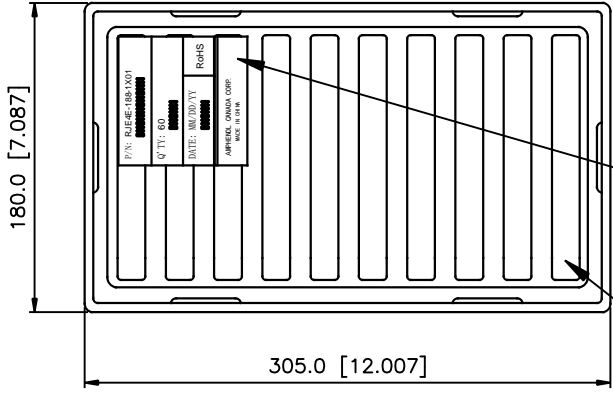
RECOMMENDED P.C.B THICKNESS: 3.0MM
PAD RING WIDTH: 0.10MM

LOCATE HOLES
⊕ 0.13[.005]
POSITIONS DIMENSIONS
ARE BASIC
PCB EDGE

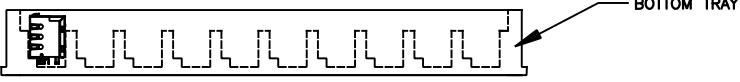
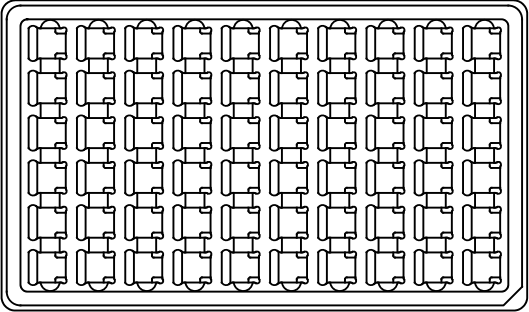
UNLESS SPECIFIED OTHERWISE	DRAWN	JACK.GUO	JUL11/18
PRIMARY UNITS MILLIMETERS	CHECKED	L.CHAN	JUL11/18
SECONDARY INCHES	M.E. APP'D		
REFERENCE IN PARENTHESES	Q.A. APP'D		
GENERAL TOLERANCES	DWG APPR.	A.GREEN	JUL11/18
1 DECIMAL PLACE ±0.38	ENG. REL. NO.		
2 DECIMAL PLACES ±0.25	REF.	EAR RJ18136	
3 DECIMAL PLACES ±0.13	THIRD ANGLE PROJECTION		
ANGULAR DEGREES ±1.5°	DO NOT SCALE DRAWING		

Amphenol Canada Corp. Commercial Products	
TITLE RJ45(CAT5e) OVER USB TYPE C MODULAR JACK, 8P8C, SHIELDED WITH TOP AND SIDE TABS, WITHOUT LED, SUITABLE FOR REFLOW PROCESS, ESD TRAY PACKAGE - RoHS COMPLIANT	
DWG. NO.	P-RJE4E-188-1X01
REV	A
CODE ID NO. 03554	DWG SIZE: X
SCALE: B:1	SHEET 2 OF 3

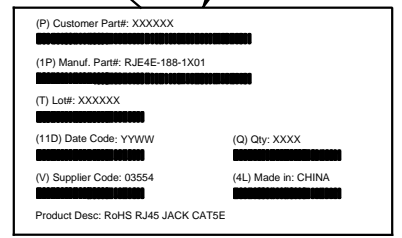
REVISIONS			
REV	DESCRIPTION, ECN, EAR NO.	DATE	APP'D
A	NEW PROPOSAL RELEASE	OCT.18/17	L.CHAN



CONNECTOR IS PLACED INTO TRAYS WITH PRESSFIT TAILS DOWN



- NOTES:**
- PACAKING QUANTITY
 - 1. 60PCS PER TRAY
 - 2. 14 PCS TRAYS PER CARTON
 - 840 PCS CONNECTORS PER CARTON



SCALE 2:1

UNLESS SPECIFIED OTHERWISE	DRAWN	JACK.GUO	JUL11/18
PRIMARY UNITS MILLIMETERS	CHECKED	L.CHAN	JUL11/18
SECONDARY INCHES	M.E. APP'D		
REFERENCE IN PARENTHESES	Q.A. APP'D		
GENERAL TOLERANCES FOR MM	DWG APP'D	A.GREEN	JUL11/18
1 DECIMAL PLACE ±0.38	ENG. REL. NO.		
2 DECIMAL PLACE ±0.25	REF.	EAR RJ18136	
3 DECIMAL PLACE ±0.13	THIRD ANGLE PROJECTION		
ANGULAR DEGREES ±3°	DO NOT SCALE DRAWING		

Amphenol Canada Corp. Commerical Products	
RJ45(CAT5e) OVER USB TYPE C MODULAR JACK, 8P8C, SHIELDED WITH TOP AND SIDE TABS. WITHOUT LED, SUITABLE FOR REFLOW PROCESS, ESD TRAY PACKAGE-ROHS COMPLIANT	
DWG NO.	P-RJE4E-188-1X01
CODE ID NO. 03554	DWG SIZE: X
SCALE: 4:1	SHEET 3 OF 3

THIS DOCUMENT CONTAINS PROPRIETARY INFORMATION AND SUCH INFORMATION MAY NOT BE DISCLOSED TO OTHERS FOR ANY PURPOSE OR USED FOR MANUFACTURING PURPOSES WITHOUT WRITTEN PERMISSION FROM AMPHENOL CANADA CORP.

X-ON Electronics

Largest Supplier of Electrical and Electronic Components

Click to view similar products for [Modular Connectors](#) / [Ethernet Connectors](#) category:

Click to view products by [Amphenol](#) manufacturer:

Other Similar products are found below :

[RJE231881317T](#) [MP1010RX-1000](#) [MP44RX-1000](#) [GAX-3-66](#) [GAX-8-62](#) [93606-0253](#) [GD-A-44](#) [GDCX-PA-66-50](#) [GDCX-PN-64](#) [GDCX-PN-66](#) [GDCX-PN-66-50](#) [GDLX-A-66](#) [GDLX-A-88](#) [GDLX-N-66](#) [GDLX-S-88K](#) [GDTX-S-88-50](#) [GDX-PA-1010](#) [GLX-N-1010M-BLK](#) [GLX-N-44M](#) [GLX-S-88M-BLK](#) [GMX-N-1010](#) [GMX-S-1010](#) [GMX-S-66](#) [GMX-SMT2-N-1010](#) [GMX-SMT2-N-64-50](#) [GMX-SMT2-S6-88](#) [GMX-SMT4-N-88](#) [GPX-2-64](#) [GRT1-BT1-5](#) [GSGX-N-2-88](#) [GSX-NS2-88-3.05](#) [GSX-NS2-88-3.05-50](#) [GSX-NS-88-3.05-30](#) [GSX-NS-88-3.05-50](#) [GSX-NS-88-3.68](#) [1-1775629-2](#) [GWLX-S-88-GR](#) [GWLX-S9-88-YG](#) [1300500326](#) [1300500227](#) [1300530003](#) [1300570002](#) [1324640-4](#) [RJ11FTVC2G](#) [RJ11FTVC2N](#) [RJFTVX2SA1G](#) [132764-001](#) [1400000](#) [1413176](#) [1413235](#)