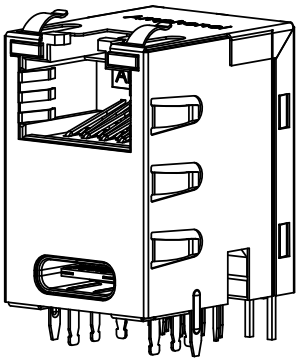
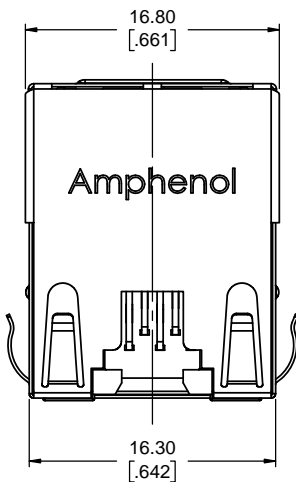


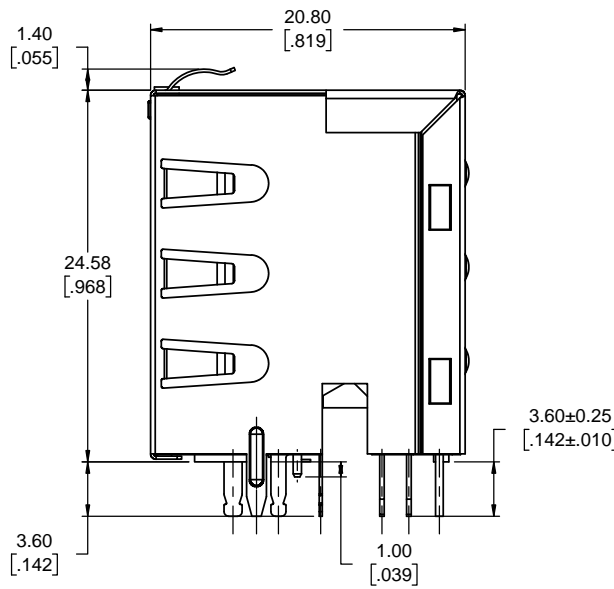
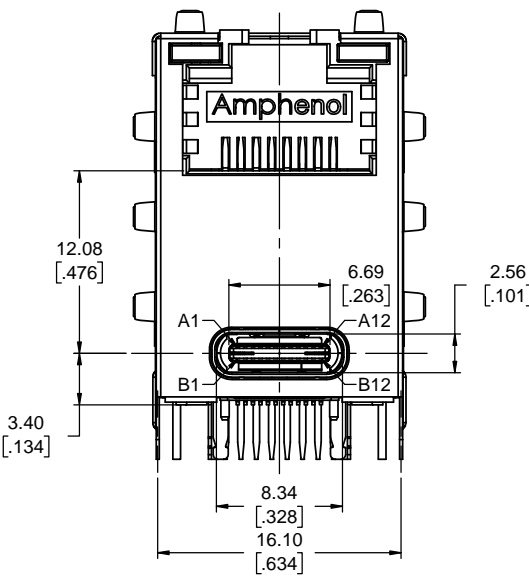
REVISIONS			
REV	DESCRIPTION, ECN, EAR NO.	DATE	APP'D
A	NEW PROPOSAL RELEASE	JUL16/2018	L.CHAN



NOTES:
1. RJ45:

HOUSING: HIGH TEMPERATURE THERMOPLASTIC
FLAMMABILITY RATING UL 94V-0, COLOR: BLACK
CONTACTS: PHOSPHOR BRONZE, PLATING: SELECTIVE GOLD PLATING ON THE MATING AREA, 50u" [1.27 MICRONS] MIN. NICKEL UNDERPLATE, WITH 100u" MATTE TIN PLATING ON THE TAILS, SHIELD: STAINLESS STEEL WITH TIN FINISHED PCB TAILS.
RJ45 PORT CAPABLE OF SUPPORTING 1000BASE-T or 2.5GBASE-T. CATEGORY 5e PERFORMANCE:

FREQUENCY MHZ	NEAR-END CROSS TALK dB, MIN.	RETURN LOSS dB, MIN.	INSERTION LOSS dB, MAX.
1.0	65	30	0.1
4.0	65	30	0.1
8.0	64.9	30	0.1
10.0	63	30	0.1
16.0	58.9	30	0.2
20.0	57	30	0.2
25.0	55	30	0.2
31.25	53.1	30	0.2
62.5	47.1	24.1	0.3
100.0	43	20	0.4



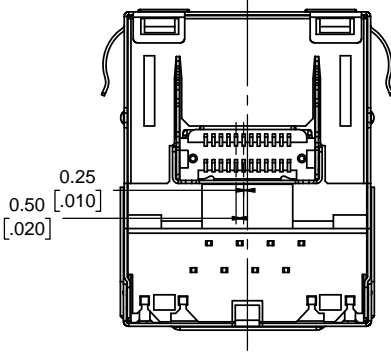
2. TYPE C

HOUSING: HIGH TEMPERATURE THERMOPLASTIC
FLAMMABILITY RATING UL 94V-0, COLOR: BLACK
CONTACTS: PHOSPHOR BRONZE
PLATING: 30u" [0.76 MICRONS] MIN. GOLD OVER 50u" [1.27 MICRONS] MIN. NICKEL ON THE MATING AREA WITH MATTE TIN OVER NICKEL ON THE TAILS.
SHIELD: STAINLESS STEEL, 50u" [1.27 MICRONS] MIN. NICKEL OVERALL.

AMPHENOL PART NUMBER: RJE4E-188-1XX1

- GOLD PLATING OPTION
- 1= 6u" GOLD PLATING
- 2= 15u" GOLD PLATING
- 3= 30u" GOLD PLATING
- 4= 50u" GOLD PLATING

REFER TO LED OPTIONS DRAWING FOR ORDERING CODES



UNLESS SPECIFIED OTHERWISE	DRAWN	JACK.GUO	JUL16/18
PRIMARY UNITS MILLIMETERS	CHECKED	L.CHAN	JUL16/18
SECONDARY INCHES	ME. APP'D		
REFERENCE IN PARENTHESES	QA APP'D		
GENERAL TOLERANCES	DWG APP'D	A.GREEN	JUL16/18
1 DECIMAL PLACE ±0.38	ENG. REL. NO.		
2 DECIMAL PLACES ±0.25	REF.	EAR RJ18136	
3 DECIMAL PLACES ±0.13	THIRD ANGLE PROJECTION		
ANGULAR DEGREES ±1.5°	DO NOT SCALE DRAWING		

Amphenol Canada Corp.
Commercial Products

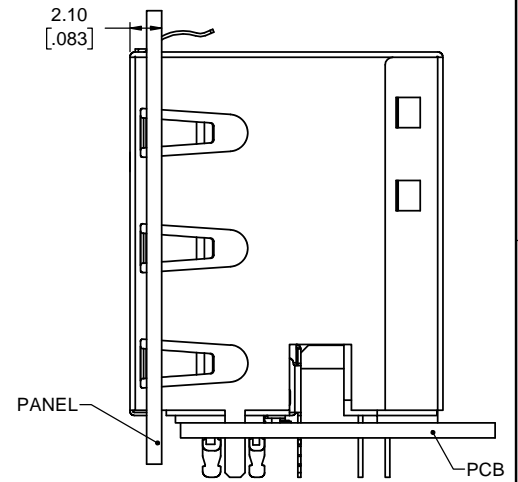
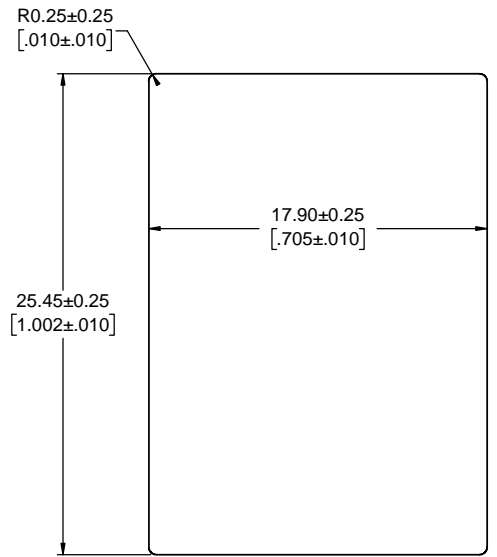
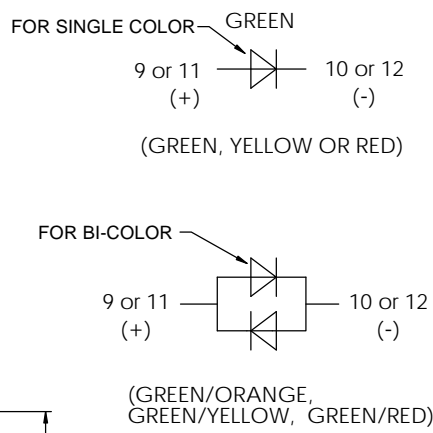
TITLE: RJ45(CAT5e) OVER USB TYPE C MODULAR JACK, 8P8C, SHIELDED WITH TOP AND SIDE TABS, WITH LED, SUITABLE FOR REFLOW PROCESS, ESD TRAY PACKAGE - RoHS COMPLIANT

DWG. NO. **P-RJE4E-188-1XX1** REV **B**

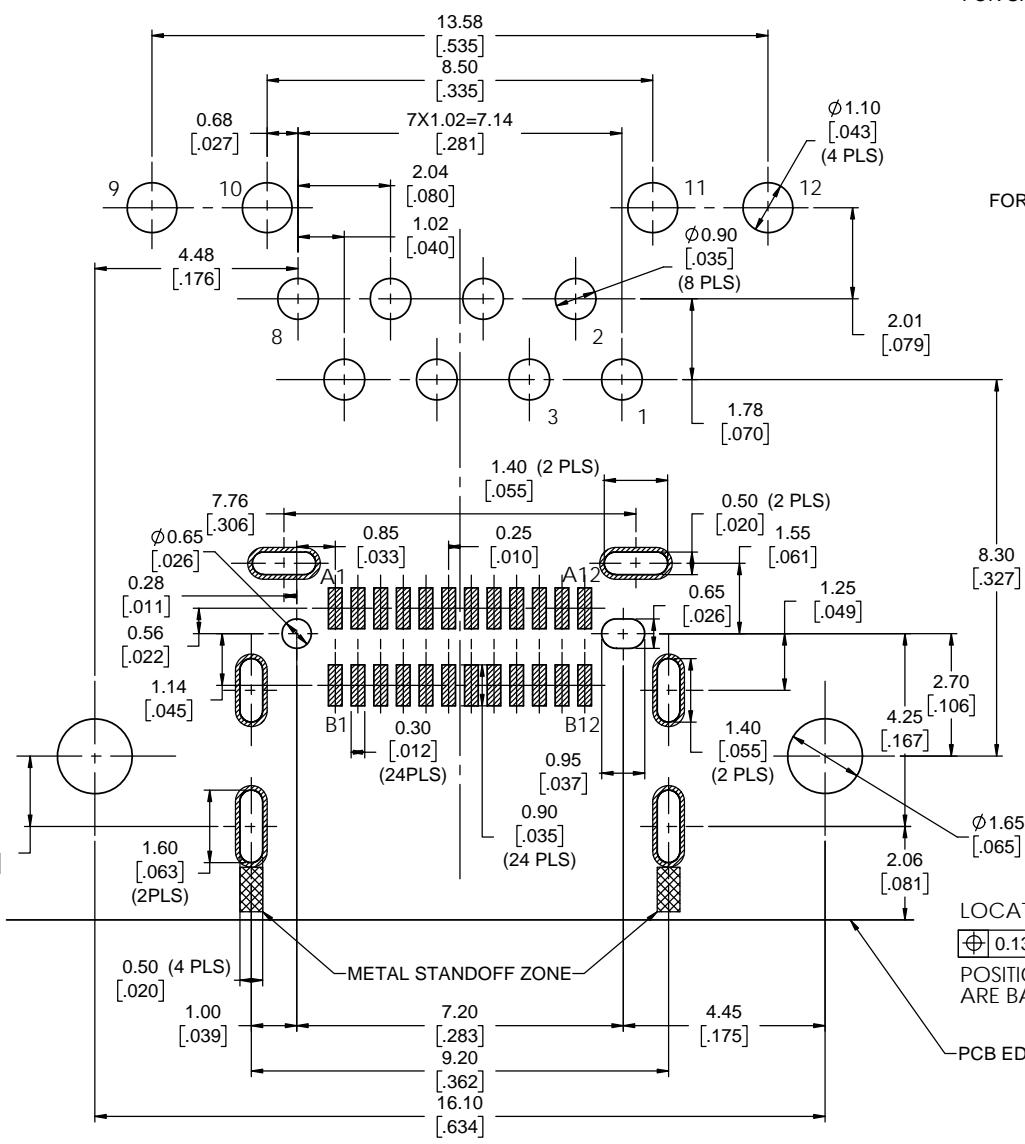
CODE ID NO. 03554 DWG SIZE: X SCALE: 4:1 SHEET 1 OF 4

REVISIONS			
REV	DESCRIPTION, ECN, EAR NO.	DATE	APP'D
A	NEW PROPOSAL RELEASE	JUL16/2018	L.CHAN

LED SCHEMATIC



RECOMMENDED PANEL CUT-OUT



RECOMMENDED P.C.B LAYOUT
COMPONENT SIDE TO BOARD
TOLERANCE: ±[.002]0.05

RECOMMENDED P.C.B THICKNESS: 3.0MM
PAD RING WIDTH: 0.10MM



UNLESS SPECIFIED OTHERWISE	DRAWN	JACK.GUO	JUL16/18
PRIMARY UNITS MILLIMETERS	CHECKED	L.CHAN	JUL16/18
SECONDARY INCHES	M.E. APP'D		
REFERENCE IN PARENTHESES	Q.A. APP'D		
GENERAL TOLERANCES	DWG APPR.	A.GREEN	JUL16/18
1 DECIMAL PLACE ±0.38	ENG. REL. NO.		
2 DECIMAL PLACES ±0.25	REF.	EAR RJ18136	
3 DECIMAL PLACES ±0.13	THIRD ANGLE PROJECTION		
ANGULAR DEGREES ±1.5°	DO NOT SCALE DRAWING		

Amphenol Canada Corp. Commercial Products			
TITLE RJ45(CAT5e) OVER USB TYPE C MODULAR JACK, 8P8C, SHIELDED WITH TOP AND SIDE TABS, WITH LED, SUITABLE FOR REFLOW PROCESS, ESD TRAY PACKAGE - RoHS COMPLIANT			
DWG. NO.	P-RJE4E-188-1XX1		REV B
CODE ID NO. 03554	DWG SIZE: X	SCALE: B:1	SHEET 2 OF 4

REVISIONS			
REV	DESCRIPTION, ECN, EAR NO.	DATE	APP'D
A	NEW PROPOSAL RELEASE	JUL.16/18	L.CHAN

EXAMPLE:

PART NUMBER: RJE4E-188-1XX1

LED COLOR CODE

CODE	LED 2 (LEFT)	LED 1 (RIGHT)	CODE	LED 2 (LEFT)	LED 1 (RIGHT)	CODE	LED 2 (LEFT)	LED 1 (RIGHT)
0	BLOCKED	BLOCKED	9	GREEN	BLOCKED	J	BiC RD/GR	YELLOW
1	YELLOW	GREEN	A	BiC GR/YE	BiC GR/YE	K	YELLOW	BiC GR/OR
2	BLOCKED	GREEN	B	BiC RD/GR	BiC RD/GR	L	BiC GR/YE	RED
3	YELLOW	BLOCKED	C	BiC RD/GR	BiC GR/YE	M	RED	YELLOW
4	GREEN	YELLOW	D	GREEN	BiC GR/YE	N	BiC GR/RD	BiC GR/YE
5	GREEN	GREEN	E	YELLOW	BiC GR/YE	P	GREEN	BiC RD/GR
6	YELLOW	YELLOW	F	BiC GR/YE	YELLOW	R	BiC GR/OR	GREEN
7	RED	GREEN	G	BiC GR/OR	BiC GR/OR	T	RED	RED
8	GREEN	RED	H	BiC GR/YE	GREEN	V	BiC RD/GR	GREEN
						W	ADDITIONAL	OPTIONS

LED SPECIFICATIONS:

FORWARD VOLTAGE: 2.1 VOLTS TYP.
 REVERSE VOLTAGE: 5.0 VOLTS MIN.
 LUMINOUS INTENSITY: 0.5 mCd MIN.
 (AT If=2mA)

STORAGE TEMPERATURE: -40° TO 85° C
 LEAD SOLDERING TEMPERATURE: 260° C
 (5 SEC, 1/16" FROM CASE)

PLATING ON TAILS: TIN OR TIN/COPPER
 ALLOY OVER SILVER

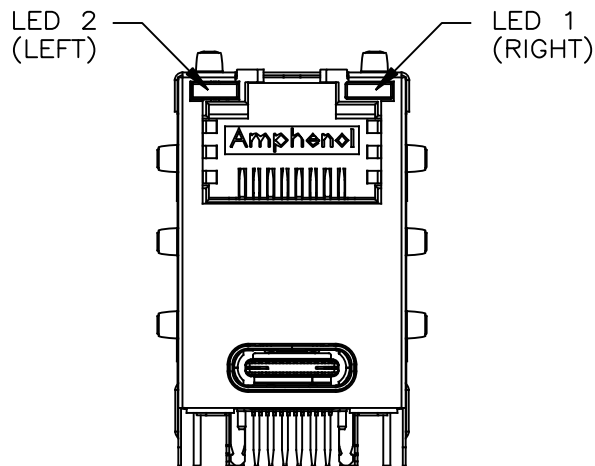
PRIMARY COLOR FOR BI-COLOR
 LEDS IN STANDARD ANODE/
 CATHODE CONFIGURATION IS:
 RED-GREEN= RED
 RED-YELLOW= RED
 GREEN-YELLOW= GREEN
 GREEN-ORANGE= GREEN

LEGEND

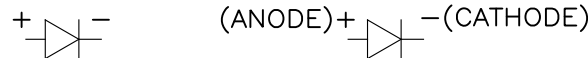
BiC=BI-COLOR LED
 LOWC=LOW CURRENT LED
 YE=YELLOW
 GR=GREEN
 RD=RED
 OR=ORANGE

NOTE:

THE TWO DIGITS PRECEDING THE
 ADDITIONAL LED CODE MUST BE
 USED IN THE PART NUMBER, WHEN
 ORDERING ANY OF THE ADDITIONAL
 LED OPTIONS.

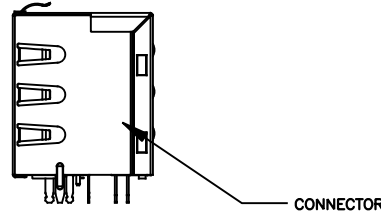
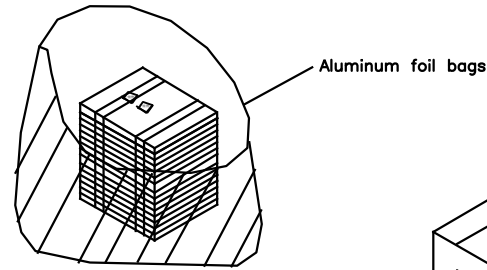
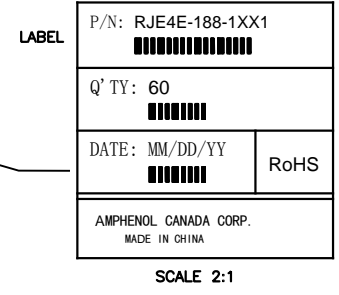
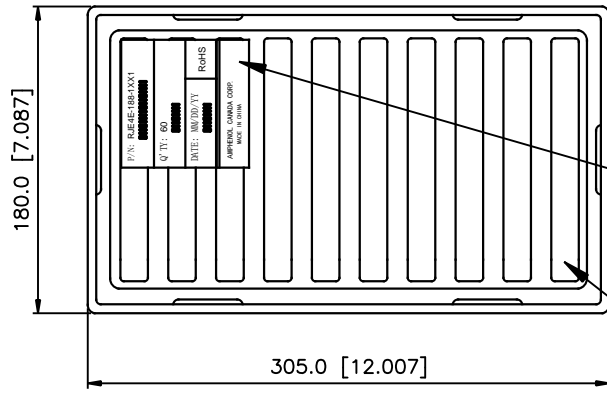


TYPICAL FOR SINGLE

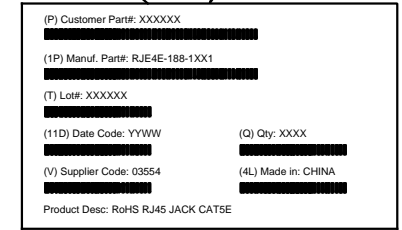
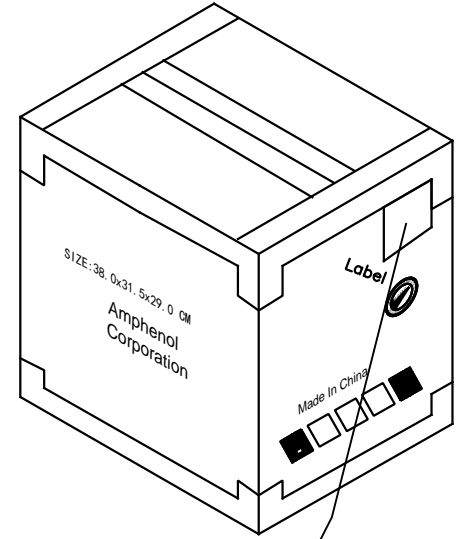
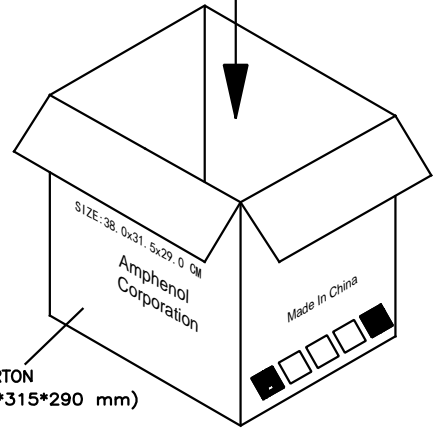
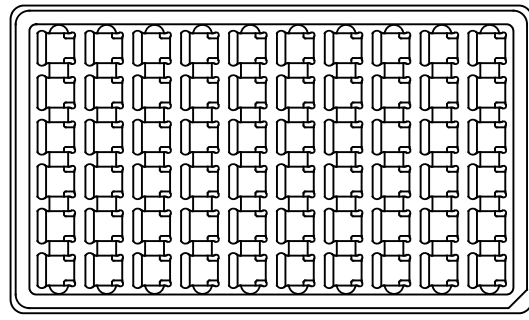


UNLESS SPECIFIED OTHERWISE	DRAWN JACK.GUO	JUL16/18	Amphenol Canada Corp. Commerical Products
PRIMARY UNITS MILLIMETERS	CHECKED L.CHAN	JUL16/18	
SECONDARY INCHES	M.E. APP'D		RJ45(CAT5e) OVER USB TYPE C MODULAR JACK, 8P8C, SHIELDED WITH TOP AND SIDE TABS, WITH LED, SUITABLE FOR REFLOW PROCESS, ESD TRAY PACKAGE-ROHS COMPLIANT
REFERENCE IN PARENTHESES	Q.A. APP'D		
GENERAL TOLERANCES FOR MM	DWG APP'D A.GREEN	JUL16/18	DWG NO. P-RJE4E-188-1XX1
1 DECIMAL PLACE ±0.38	ENG. REL. NO.		
2 DECIMAL PLACE ±0.25	REF. EAR RJ18136		REV B
3 DECIMAL PLACE ±0.13	THIRD ANGLE PROJECTION	DO NOT SCALE DRAWING	CODE ID NO. 03554
ANGULAR DEGREES ±3'			DWG SIZE: X
			SCALE: 4:1
			SHEET 3 OF 4

REVISIONS			
REV	DESCRIPTION, ECN, EAR NO.	DATE	APP'D
A	NEW PROPOSAL RELEASE	JUL.16/18	L.CHAN



CONNECTOR IS PLACED INTO TRAYS WITH PRESSFIT TAILS DOWN



NOTES:
 PACKING QUANTITY
 1. 60PCS PER TRAY
 2. 14 PCS TRAYS PER CARTON
 840 PCS CONNECTORS PER CARTON

SCALE 2:1

UNLESS SPECIFIED OTHERWISE	DRAWN	JACK.GUO	JUL16/18
PRIMARY UNITS MILLIMETERS	CHECKED	L.CHAN	JUL16/18
SECONDARY INCHES	M.E. APP'D		
REFERENCE IN PARENTHESES	Q.A. APP'D		
GENERAL TOLERANCES FOR MM	DWG APP'D	A.GREEN	JUL16/18
1 DECIMAL PLACE ±0.38	ENG. REL. NO.		
2 DECIMAL PLACE ±0.25	REF.	EAR RJ18136	
3 DECIMAL PLACE ±0.13	THIRD ANGLE PROJECTION		
ANGULAR DEGREES ±3°	DO NOT SCALE DRAWING		

Amphenol Canada Corp. Commerical Products			
RJ45(CAT5e) OVER USB TYPE C MODULAR JACK, 8P8C, SHIELDED WITH TOP AND SIDE TABS, WITH LED, SUITABLE FOR REFLOW PROCESS, ESD TRAY PACKAGE-ROHS COMPLIANT			
DWG NO.	P-RJE4E-188-1XX1		REV B
CODE ID NO. 03554	DWG SIZE: X	SCALE: 4:1	SHEET 4 OF 4

THIS DOCUMENT CONTAINS PROPRIETARY INFORMATION AND SUCH INFORMATION MAY NOT BE DISCLOSED TO OTHERS FOR ANY PURPOSE OR USED FOR MANUFACTURING PURPOSES WITHOUT WRITTEN PERMISSION FROM AMPHENOL CANADA CORP.

X-ON Electronics

Largest Supplier of Electrical and Electronic Components

Click to view similar products for [Modular Connectors](#) / [Ethernet Connectors](#) category:

Click to view products by [Amphenol](#) manufacturer:

Other Similar products are found below :

[RJE231881317T](#) [MP1010RX-1000](#) [MP44RX-1000](#) [GAX-3-66](#) [GAX-8-62](#) [93606-0253](#) [GD-A-44](#) [GDCX-PA-66-50](#) [GDCX-PN-64](#) [GDCX-PN-66](#) [GDCX-PN-66-50](#) [GDLX-A-66](#) [GDLX-A-88](#) [GDLX-N-66](#) [GDLX-S-88K](#) [GDTX-S-88-50](#) [GDX-PA-1010](#) [GLX-N-1010M-BLK](#) [GLX-N-44M](#) [GLX-S-88M-BLK](#) [GMX-N-1010](#) [GMX-S-1010](#) [GMX-S-66](#) [GMX-SMT2-N-1010](#) [GMX-SMT2-N-64-50](#) [GMX-SMT2-S6-88](#) [GMX-SMT4-N-88](#) [GPX-2-64](#) [GRT1-BT1-5](#) [GSGX-N-2-88](#) [GSX-NS2-88-3.05](#) [GSX-NS2-88-3.05-50](#) [GSX-NS-88-3.05-30](#) [GSX-NS-88-3.05-50](#) [GSX-NS-88-3.68](#) [1-1775629-2](#) [GWLX-S-88-GR](#) [GWLX-S9-88-YG](#) [1300500326](#) [1300500227](#) [1300530003](#) [1300570002](#) [1324640-4](#) [RJ11FTVC2G](#) [RJ11FTVC2N](#) [RJFTVX2SA1G](#) [132764-001](#) [1400000](#) [1413176](#) [1413235](#)