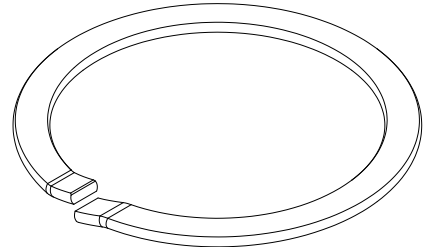
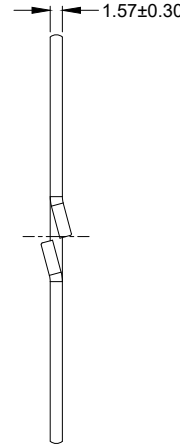
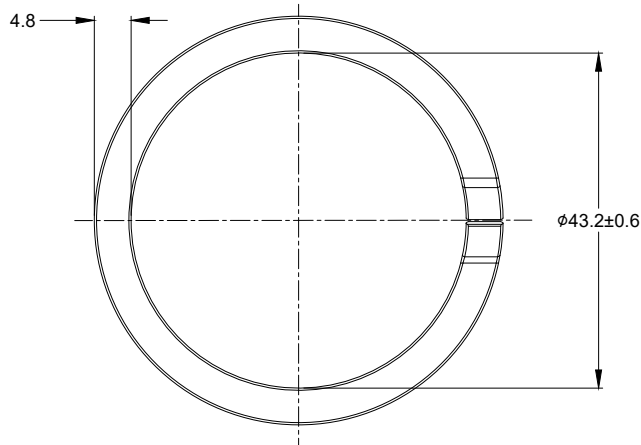


REVISIONS					
REV	ECO	DESCRIPTION	DATE	BY	APPR
A1	--	RELEASE NEW DRAWING	26/SEP/18	ROOKIE	TOMMY



- NOTES: UNLESS OTHERWISE SPECIFIED
1. MATERIAL: STAINLESS STEEL.
  2. USE WITH AHDM SERIES SIZE 24 RECEPTACLE.
  3. RoHS COMPLIANT.
  4. ALL DIMENSIONS ARE FOR REFERENCE USE ONLY.

TITLE: LOCKWASHER, AHDM, SIZE 24  
 DWG NO: A112264  
 REV: A1  
 SH: 1  
 OF: 1

A112264		DESCRIPTION		ITEM																																				
PART NUMBER		DESCRIPTION		ITEM																																				
<table border="1"> <thead> <tr> <th>QUANTITY</th> <th colspan="4">MATERIALS LIST</th> </tr> </thead> <tbody> <tr> <td rowspan="4">           UNLESS OTHERWISE SPECIFIED            1) All dimensions are in metric(mm).            2) Tolerances are as follows:            1 PL DEC ±0.30            2 PL DEC ±0.15            3 PL DEC ±0.08            3) Note reference =  </td> <td>SIGNATURES</td> <td>DATE</td> <td colspan="2" rowspan="4"> <div style="text-align: center;"> <h1>Amphenol</h1> <p>Sine Systems - www.amphenol-sine.com            44724 Morley Drive            Clinton Township, MI 48036</p> <p><b>LOCKWASHER, AHDM, SIZE 24</b></p> </div> </td> </tr> <tr> <td>DRAWN: ROOKIE</td> <td>26/SEP/18</td> </tr> <tr> <td>CHECKED: ORION</td> <td>26/SEP/18</td> </tr> <tr> <td>ENGINEER:</td> <td></td> </tr> <tr> <td>MATERIAL SPECIFICATIONS:</td> <td>APPROVAL: TOMMY</td> <td>26/SEP/18</td> <td>CUSTOMER:</td> <td></td> </tr> <tr> <td>PROCESS SPECIFICATIONS:</td> <td colspan="4">           THIS DRAWING IS SUPPLIED FOR INFORMATION ONLY. DESIGN FEATURES, SPECIFICATIONS AND PERFORMANCE DATA SHOWN HEREON ARE THE PROPERTY OF THE AMPHENOL CORPORATION. NO RIGHTS OF REPRODUCTION ARE IMPLIED. ALL DIMENSIONS ARE SUBJECT TO NORMAL MANUFACTURING VARIATIONS.         </td> </tr> <tr> <td>NEXT ASSY:</td> <td>SIZE: B</td> <td>TYPE: C-</td> <td>DWG NO: A112264</td> <td>REVISION: A1</td> </tr> <tr> <td></td> <td>SCALE: NONE</td> <td></td> <td>SHEET 1 OF 1</td> <td></td> </tr> </tbody> </table>					QUANTITY	MATERIALS LIST				UNLESS OTHERWISE SPECIFIED 1) All dimensions are in metric(mm). 2) Tolerances are as follows: 1 PL DEC ±0.30 2 PL DEC ±0.15 3 PL DEC ±0.08 3) Note reference =	SIGNATURES	DATE	<div style="text-align: center;"> <h1>Amphenol</h1> <p>Sine Systems - www.amphenol-sine.com            44724 Morley Drive            Clinton Township, MI 48036</p> <p><b>LOCKWASHER, AHDM, SIZE 24</b></p> </div>		DRAWN: ROOKIE	26/SEP/18	CHECKED: ORION	26/SEP/18	ENGINEER:		MATERIAL SPECIFICATIONS:	APPROVAL: TOMMY	26/SEP/18	CUSTOMER:		PROCESS SPECIFICATIONS:	THIS DRAWING IS SUPPLIED FOR INFORMATION ONLY. DESIGN FEATURES, SPECIFICATIONS AND PERFORMANCE DATA SHOWN HEREON ARE THE PROPERTY OF THE AMPHENOL CORPORATION. NO RIGHTS OF REPRODUCTION ARE IMPLIED. ALL DIMENSIONS ARE SUBJECT TO NORMAL MANUFACTURING VARIATIONS.				NEXT ASSY:	SIZE: B	TYPE: C-	DWG NO: A112264	REVISION: A1		SCALE: NONE		SHEET 1 OF 1	
QUANTITY	MATERIALS LIST																																							
UNLESS OTHERWISE SPECIFIED 1) All dimensions are in metric(mm). 2) Tolerances are as follows: 1 PL DEC ±0.30 2 PL DEC ±0.15 3 PL DEC ±0.08 3) Note reference =	SIGNATURES	DATE	<div style="text-align: center;"> <h1>Amphenol</h1> <p>Sine Systems - www.amphenol-sine.com            44724 Morley Drive            Clinton Township, MI 48036</p> <p><b>LOCKWASHER, AHDM, SIZE 24</b></p> </div>																																					
	DRAWN: ROOKIE	26/SEP/18																																						
	CHECKED: ORION	26/SEP/18																																						
	ENGINEER:																																							
MATERIAL SPECIFICATIONS:	APPROVAL: TOMMY	26/SEP/18	CUSTOMER:																																					
PROCESS SPECIFICATIONS:	THIS DRAWING IS SUPPLIED FOR INFORMATION ONLY. DESIGN FEATURES, SPECIFICATIONS AND PERFORMANCE DATA SHOWN HEREON ARE THE PROPERTY OF THE AMPHENOL CORPORATION. NO RIGHTS OF REPRODUCTION ARE IMPLIED. ALL DIMENSIONS ARE SUBJECT TO NORMAL MANUFACTURING VARIATIONS.																																							
NEXT ASSY:	SIZE: B	TYPE: C-	DWG NO: A112264	REVISION: A1																																				
	SCALE: NONE		SHEET 1 OF 1																																					

## X-ON Electronics

Largest Supplier of Electrical and Electronic Components

*Click to view similar products for [Screws & Fasteners](#) category:*

*Click to view products by [Amphenol](#) manufacturer:*

Other Similar products are found below :

[5721-1440-1/4-SS](#) [593503FX](#) [0098.0094](#) [0098.9206](#) [0098.9219](#) [0098.9262](#) [596-2114-013](#) [59781-6](#) [0098.0026](#) [0098.9210](#) [0098.9212](#) [60227-01](#) [60227-04](#) [60227-08](#) [60687-01](#) [LOCK WASHER Black](#) [62153-03](#) [62153-11](#) [M316-KSSTMCZ100](#) [M3440-SS](#) [M3442-SS](#) [M3448-SS](#) [6292-1](#) [6-306105-9](#) [6-306131-4](#) [690432-1](#) [699161-000](#) [7230-3](#) [7244](#) [7248-1](#) [7248-2](#) [745564-1](#) [F1209](#) [751-00001](#) [7680](#) [809704-1](#) [8700](#) [8860220](#) [9047](#) [9521](#) [992326-6](#) [992763-3](#) [1-18024-0](#) [1-18028-2](#) [A168P1](#) [A495P1](#) [1-24921-1](#) [125416-1](#) [1260](#) [13-0036](#) [1301810148](#)