

NOTES:

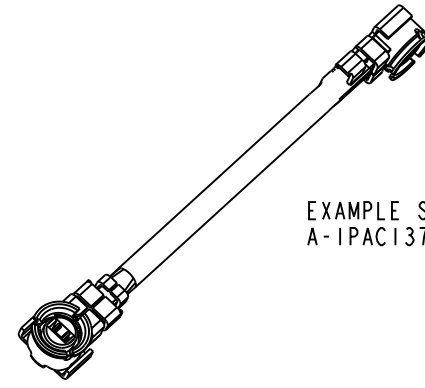
1. ELECTRICAL:
 - A. IMPEDANCE: 50Ω (NOMINAL)
 - B. FREQUENCY RANGE: 0-6 GHz
 - C. CONTACT RESISTANCE: CENTER: 20mΩ MAX.; MEASURED AT 10mA MAX. 25 mΩ MAX AFTER CYCLING
OUTSIDE: 10mΩ MAX. 15 mΩ MAX AFTER CYCLING
 - D. INSULATION RESISTANCE: 500MΩ MIN.; MEASURED AT 100 VDC.
 - E. WITHSTANDIN VOLTAGE: NO LINE OR INSULATION BREAKDOWN: 200 VAC FOR 1 MIN.
 - F. V.S.W.R. : 1.3 MAX. AT DC TO 3GHz, 1.4 MAX. AT 3 TO 6GHz
 - G. TYPICAL INSERTION LOSS : .0018*L*√Frequency in GHz]+.087*√Frequency in GHz]
2. PHYSICAL:
 - A. FEMALE CONTACT HOLDING FORCE: 0.15N MIN. : MEASURED WITH A Ø0.475MM PIN GAUGE.
 - B. DURABILITY: 30 CYCLES
 - C. TEMPERATURE RANGE: -40°C TO +90°C.
 - D. AMC CONNECTOR MATING FORCE: 15N TYPICAL
 - E. AMC CONNECTOR DEMATING FORCE: 10N TYPICAL - 20N MAX
 - F. AMC INTERFACE IS FULLY COMPATIBLE WITH "U.FL" SERIES PRODUCT.
3. MATERIALS AND FINISHES: (IN MICROMETERS)

CONNECTOR BODY: PHOSPHOR BRONZE, SILVER PLATED (0.76 MIN.) OVER COPPER (1 MIN)
 CONNECTOR CENTER CONTACT: PHOSPHOR BRONZE, GOLD PLATED (0.076 MIN.) OVER NICKEL (2 MIN)
 CONNECTOR INSULATOR: HIGH TEMP PLASTIC UL 94V-0, BLACK
 CABLE JACKET: FEP
 CABLE DIELECTRIC: FEP
 CABLE CENTER CONDUCTOR: ANNEALED COPPER WIRE STRANDED, SILVER PLATED
 CABLE OUTER CONDUCTOR: ANNEALED COPPER WIRE BRAID, TIN PLATED
4. PACKAGING:
 - A. PACKAGED IN BAGS OF 100 PIECES

THIRD ANGLE PROJ.

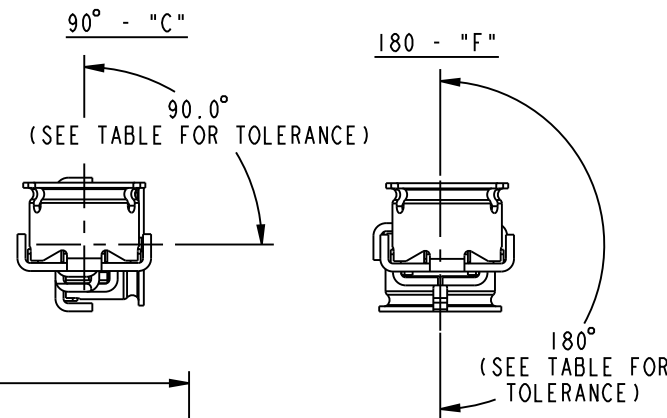
REVISIONS

REV	DESCRIPTION	DATE	ECO	APPR
-	RELEASE TO MFG.	-----	-----	-----
E	REDRAWN, ADDED NOTE 1G,485 AND COD, ADD ORIENTAION AND COLORS	10/2/14	50005	EW
F	ADDED COLORS: ORANGE, YELLOW, BROWN	08-Jun-16	01067	JTS

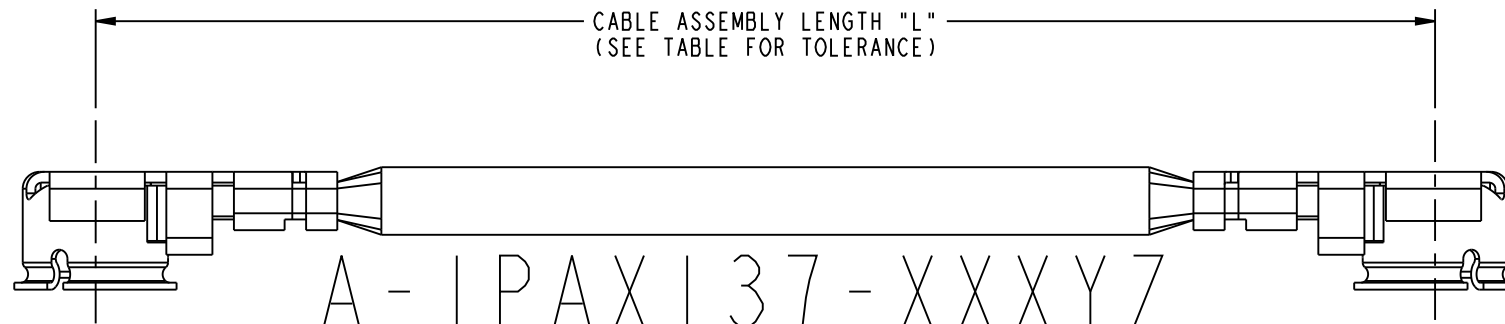


EXAMPLE SHOW :
A-IPAC137-XXXZY

SCALE 3.000



CABLE ASSEMBLY TOLERANCE		
OVERALL LENGTH L (mm)	STANDARD TOLERANCE (mm)	ORIENTATION TOLERANCE
35<L<100	± 4	±30°
100<L<200	± 4	±45°
200 < L 500	± 8	
500 < L 1000	± 12	
1000 < L	±1.5 %	



A-IPAX137-XXXZY

SERIES NAME (A=AMC)

AMC RIGHT ANGLE PLUG

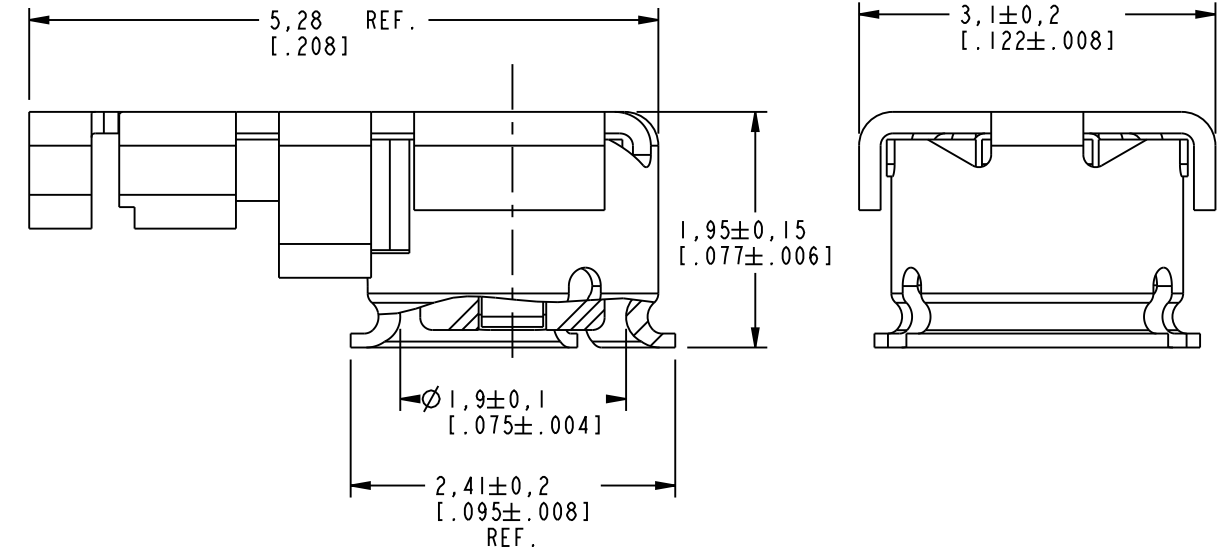
ORIENTATION:
C = 90° (CLOCKWISE)
F = 180°
- = 0°

CABLE DIAMETER IN mm (137 = 1.37 mm)

NO. OF TERMINATED ENDS (1 OR 2)

CABLE COLOR:
G=GRAY A=ORANGE
B=BLACK Y=YELLOW
W=WHITE N=BROWN
U=BLUE E=GREEN
R=RED

CABLE ASSEMBLY LENGTH IN mm
(SHORTEST LENGTH IS 35mm)



CUSTOMER OUTLINE DRAWING

ALL OTHER SHEETS ARE FOR INTERNAL USE ONLY

AMC RIGHT ANGLE PLUG

UNLESS OTHERWISE SPECIFIED, DIMENSIONS ARE IN METRIC AND TOLERANCES ARE:
 <0.5mm ±0.05mm 0.5 - 6mm ±0.1mm 6 - 30mm ±0.2mm 30 - 120mm ±0.3mm ANGLES ±1°

NOTICE - These drawings, specifications, or other data (1) are, and remain the property of Amphenol corp. (2) must be returned upon request; and (3) are confidential and not to be disclosed to any person other than those to whom they are given by Amphenol Corp. the furnishing of these drawings, specifications, or other data by Amphenol Corp., or to any other person to anyone for any purpose is not to be regarded by implication or otherwise in any manner licensing, granting rights to permitting such holder or any other person to manufacture, use or sell any product, process or design, patented or otherwise, that may in any way be related to or disclosed by said drawings, specifications, or other data.

MATERIAL -	DRAWN E WANKOFF	DATE 19-May-14	TITLE CABLE ASSY AMC, PLUG	Amphenol RF www.amphenolrf.com
REFERENCE EAR # 1434 AND	ENGINEER E WANKOFF	DATE 19-May-14		
CONFIGURATION LEVEL: In Work	APPROVED K. CAPOZZI	DATE 10/2/14	SCALE: 8.0:1.0 SHEET 2 OF 2	DRAWING NO. A-IPAX137-XXXZY
FINISH	CAD FILE		DWG SIZE B	REV F
				ITEM NO. A-IPAX137-XXXZY
				PART NO. A-IPAX137-XXXZY

X-ON Electronics

Largest Supplier of Electrical and Electronic Components

Click to view similar products for [RF Cable Assemblies](#) category:

Click to view products by [Amphenol](#) manufacturer:

Other Similar products are found below :

[73-6352-10](#) [73-6353-3](#) [73-6364-6](#) [R285001001](#) [R288940004](#) [R288940005](#) [145111-05-12.00](#) [1661-C-24](#) [1801171170914KE](#) [24P104C24J1-012](#) [24P104C24P1-006](#) [24P104C24P1-018](#) [24P204C24J1-003](#) [172-2150-EX](#) [1800920920914PJ](#) [FCB-3030-ALT](#) [21117-046](#) [21117-050](#) [PCX-24-50](#) [24P103C24P2-003](#) [25P203C25P2-003](#) [PTWY-24-78](#) [R284008001](#) [R285001021](#) [R285426000](#) [R288940003](#) [R288940008](#) [RF179-74BJ3-77RP1-0305](#) [4814-BB-24](#) [5260-72](#) [JT2N1-CL1-1F](#) [DLP-COAX1](#) [4814-K-48](#) [115101-09-06.00](#) [CCNTN2-MM-LL335-26](#) [73-6351-25](#) [73-6352-3](#) [73-6353-25](#) [1800920920610PJ](#) [GD0BQ0BQ024.0](#) [1-3636-600-5210](#) [TL8A-11SMA-11SMA-01500-51](#) [R284C0351060](#) [R288940009](#) [R284C0351028](#) [R288940002](#) [9702-1SL-1](#) [PT82NSMA](#) [73-6353-10](#) [R285020301W](#)