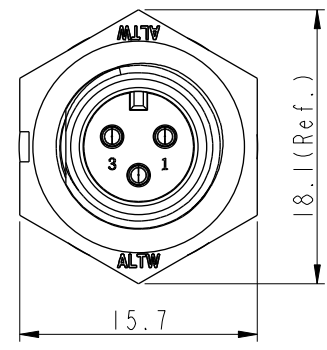
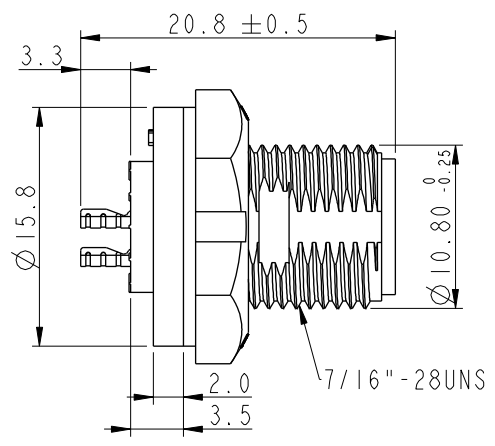
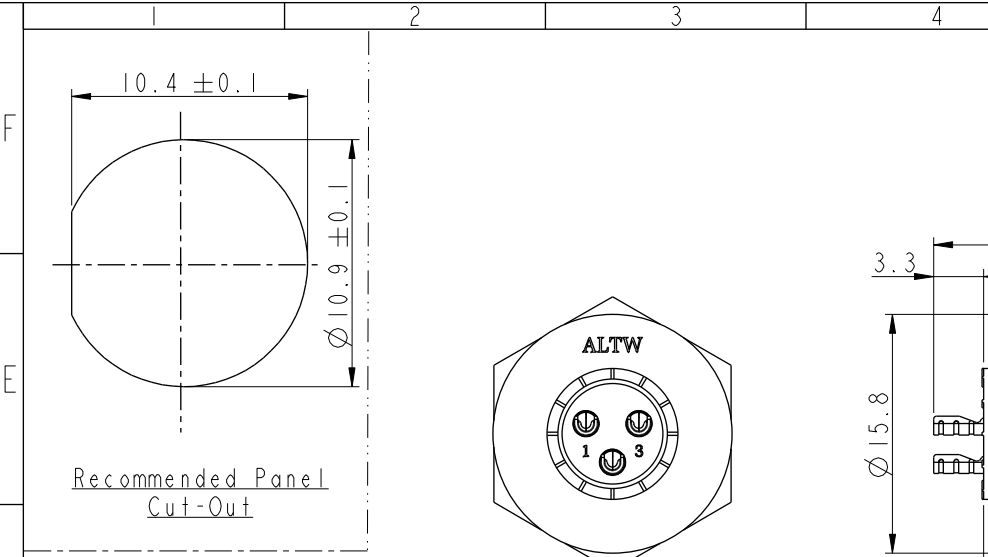
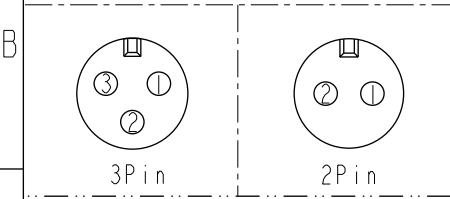
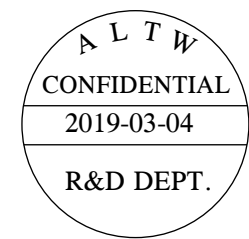
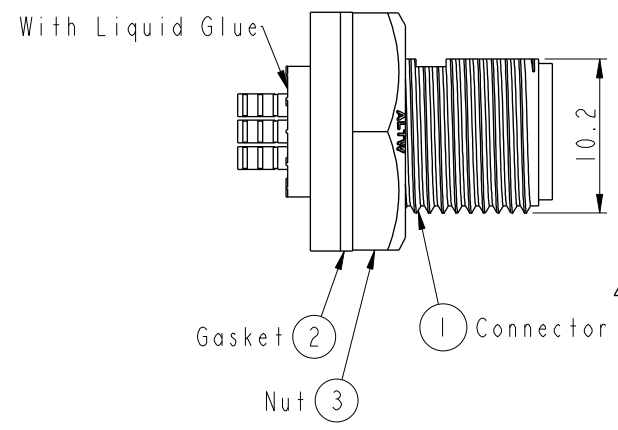


| REV. | ECN NO. | DATE       | SIGN  | DESCRIPTION |
|------|---------|------------|-------|-------------|
| B    | C190323 | 2019/03/04 | Vicky | Change Note |



AAD-XXPMS-SC7001  
 02: 2Pin  
 03: 3Pin



- Note:**
- \*  $\varnothing$  Important Dimension To Check.
  - \* Waterproof Rate: IP67, Unmated.
  - \* Housing: Thermoplastic, Black.
  - \* Pin: Copper Alloy, Gold Plated.
  - \* Nut: Thermoplastic, Black.
  - \* Gasket: Rubber, Gray.
  - \* Use with waterproof cap or dust cap  
Maximum Panel Thickness: 3.3mm
  - \* Use without waterproof cap or dust cap  
Maximum Panel Thickness: 4.5mm
  - \* Gasket and Nut are packed separately in PE bags.  
(Gasket/Nut不組裝，散裝出貨)

|          |   |  |  |                 |  |                            |  |                    |  |                    |  |
|----------|---|--|--|-----------------|--|----------------------------|--|--------------------|--|--------------------|--|
| UNIT: mm | TITLE<br>MINI<br>PANEL SCREW M CONN M PIN                     |  |  | ITEM NO         |  | DRAWN BY<br>Vicky          |  | DATE<br>2019-03-04 |  |                    |  |
|          | TOLERANCE<br>.X ±0.25<br>.XX ±0.1<br>.XXX ±0.05<br>ANGLES ±1° |  |  | SCALE<br>2:1    |  | DWG NO<br>AAD-XXPMS-SC7001 |  | CHECKED BY<br>Rita |  | DATE<br>2019-03-04 |  |
|          | SIZE<br>A4  |  |  | SHEET<br>1 OF 1 |  | CUSTOMER<br>ALTW           |  | APPROVED BY<br>Max |  | DATE<br>2019-03-04 |  |
|          | REV.<br>B   |  |  | WC-REV.<br>A.1  |  | QC: Inspection item        |  |                    |  |                    |  |

**Amphenol LTW**  
 安費諾亮泰企業股份有限公司

THIS DOCUMENT IS SUBJECT TO CHANGE WITHOUT NOTICE. IT IS CONFIDENTIAL AND A PROPERTY OF AMPHENOL LTW. DISCLOSURE TO THIRD PARTY HAS TO BE AUTHORIZED BY AMPHENOL LTW.

## X-ON Electronics

Largest Supplier of Electrical and Electronic Components

*Click to view similar products for [Standard Circular Connector](#) category:*

*Click to view products by [Amphenol](#) manufacturer:*

Other Similar products are found below :

[5M2530B10P](#) [600259N006](#) [600273N007](#) [6134-336-13149](#) [6134-337-11149](#) [6134-337-2390](#) [6134-341-17149](#) [6280-4SG-516](#) [6280-7SG-3DC](#)  
[6290](#) [6291A](#) [66200A-10](#) [680-SMG](#) [681-PMG](#) [CXS3102A14S2P](#) [CXS3102A181S](#) [7251-6SG-300](#) [7271-6SG-300](#) [7282-3PG-300-CH3](#) [75-](#)  
[474014-05S](#) [75-474618-01S](#) [75-474618-04P](#) [75-474618-04S](#) [799539-000](#) [MI8-SE](#) [805-005-07NF11-19PC](#) [805-005-07NF15-7PA](#) [8280-4PG-](#)  
[516](#) [8280-7PG-519](#) [8282-5PG-519](#) [836783-1](#) [MP-4102-25P-C](#) [862256-1](#) [864019-2](#) [866857-1](#) [867865-1](#) [PT01SP-14-18P](#) [PT08P-14-5S](#)  
[PTSF06SE-14-12S](#) [120-1833-000](#) [QCM019PC2DC012B](#) [1-2069279-1](#) [121583-0217](#) [121667-0020](#) [129591AU](#) [1000B BULK](#) [RD10A16-19-](#)  
[P6CS051/1](#) [RD10A20-31-P8CS051/1](#) [RD16A14-12-S6CS051/2](#) [1301240290](#) [1301240347](#)