

THIS DOCUMENT IS SUBJECT TO CHANGE WITHOUT NOTICE. IT IS CONFIDENTIAL AND A PROPERTY OF AMPHENOL LTW. DISCLOSURE TO THIRD PARTY HAS TO BE AUTHORIZED BY AMPHENOL LTW.

REV.	ECN NO.	DATE	SIGN	DESCRIPTION

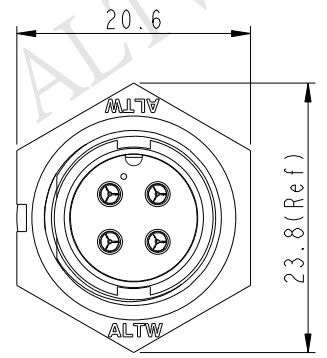
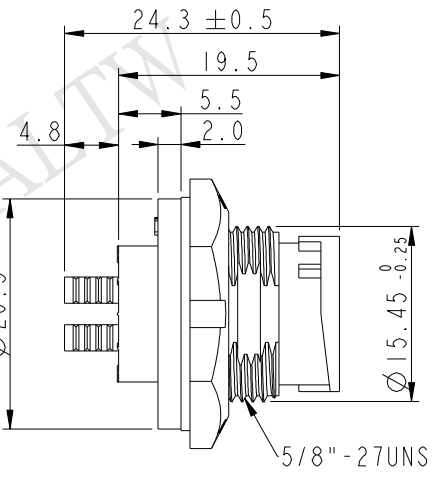
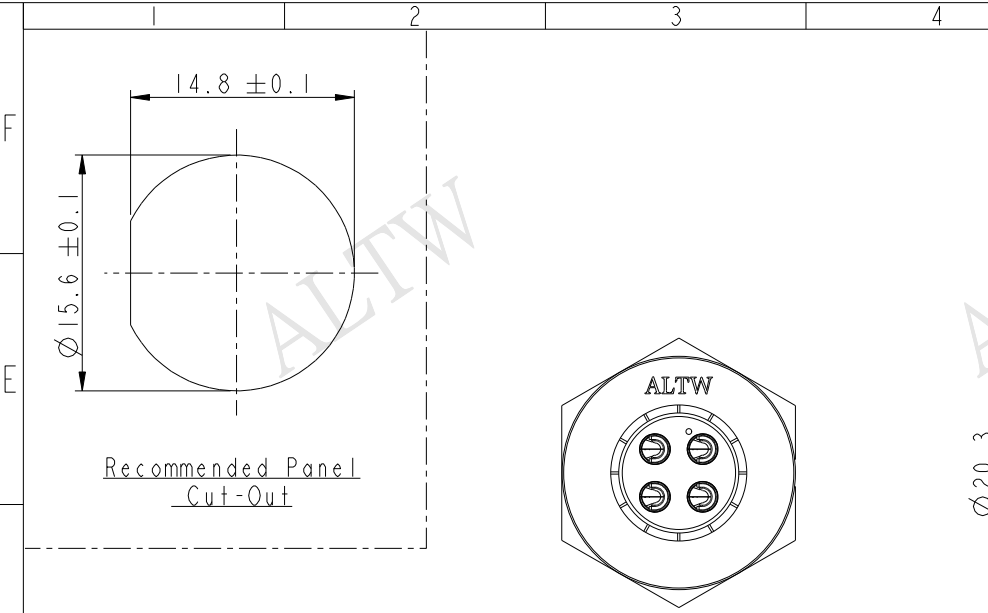
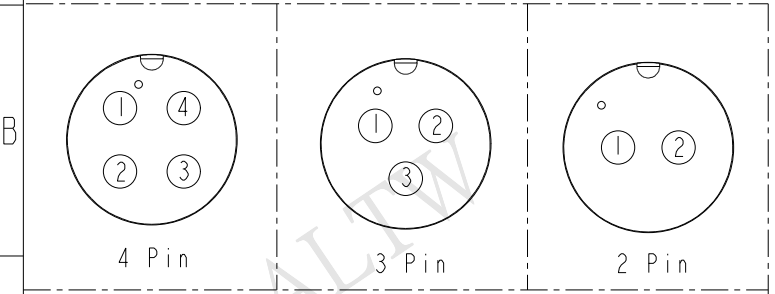
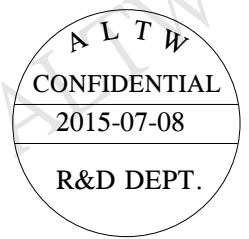
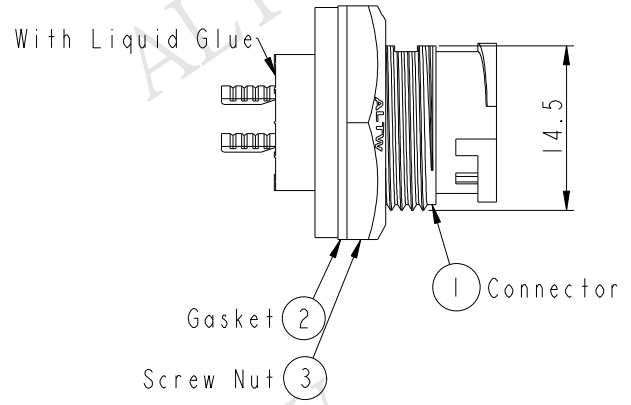


ABB-XXPMMS-LC7001
 02: 2Pin
 :
 04: 4Pin



Pin Assignments Front View

Note:
 * (QC) Important Dimension To Check.
 * Waterproof Rate: IP67
 * Housing: Nylon+GF, Black
 * Male Pin: Copper Alloy, Gold Plated.
 * Screw Nut: Nylon+GF, Black
 * Gasket: Silicone, Gray
 * Use with waterproof cap or dust cap
 Maximum Panel Thickness: 2.8mm
 * Use without waterproof cap or dust cap
 Maximum Panel Thickness: 4.0mm

UNIT: mm		TITLE STANDARD PANEL LOCK M CONN MPIN		
TOLERANCE .X ±0.25 .XX ±0.1 .XXX ±0.05 ANGLES ±1°		SCALE 3:2	SIZE A4	SHEET 1 OF 1
REV. A	WC-REV. A.1	QC: Inspection item		

Amphenol LTW
 安費諾亮泰企業股份有限公司

ITEM NO.	DRAWN BY Jinhai	DATE 2015-07-08
DWG NO. ABB-XXPMMS-LC7001	CHECKED BY Rensong	DATE 2015-07-08
CUSTOMER ALTW	APPROVED BY Jerry	DATE 2015-07-08

X-ON Electronics

Largest Supplier of Electrical and Electronic Components

Click to view similar products for [Circular Metric Connectors](#) category:

Click to view products by [Amphenol](#) manufacturer:

Other Similar products are found below :

[600X518037X](#) [6STD15PCR99B70A](#) [8R4000A16M020](#) [8R5000A16M005](#) [1200910002](#) [1203580030](#) [1200910008](#) [1200910011](#) [1300140094](#)
[130203-0054](#) [1300140026](#) [1300150099](#) [1-3637-600-5205](#) [1612618](#) [21036836414](#) [8R4006A16M010](#) [1R3006A20M005](#) [41-40011](#) [42-00006](#)
[42-01015](#) [4-22279-4](#) [4-22281-1](#) [4-22284-9](#) [43-00113](#) [43-01203](#) [41-40013](#) [42-00008](#) [43-00343](#) [43-01026](#) [43-01162](#) [43-01173](#) [43-10000](#)
[XS3P-M421-2](#) [600X518050X](#) [8R5006A16M020](#) [8R5006A16M005](#) [8R4000A16M010](#) [6-22279-3](#) [1605332](#) [N03FA03144](#) [1300140077](#) [43-](#)
[16213](#) [43-01338](#) [XS2RD4265](#) [XS2R-D426-1](#) [XS8A-0441](#) [859RD04-103R004](#) [860RD04-113R004](#) [860RD04-213R004](#) [1-213245-2](#)