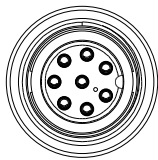
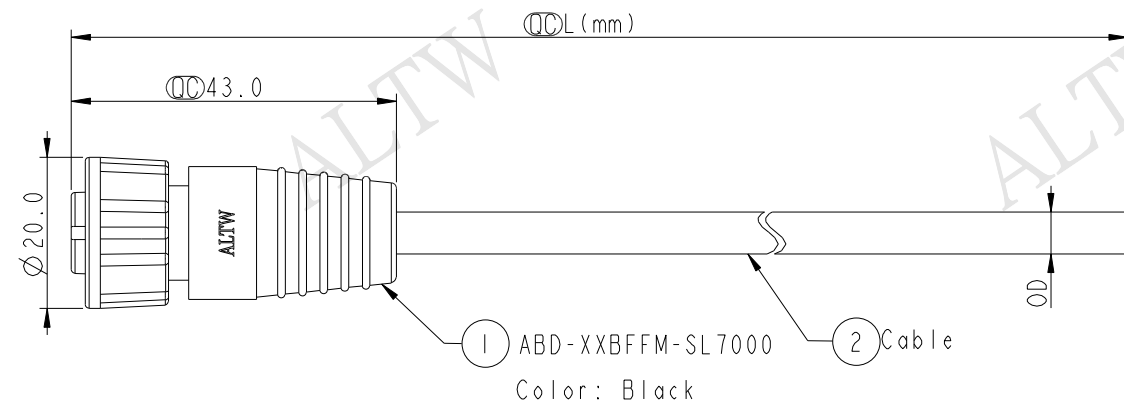


1	2	3	4	5	6	7	8
REV.	ECN NO.	DATE	SIGN	DESCRIPTION			



Conn.

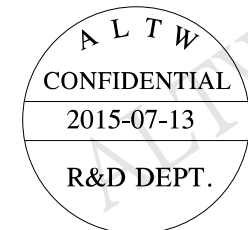


Color: Black

ABD-XXBFFM-SL7AXX
 02: 2Pin
 :
 :
 08: 8Pin

XX : 01~99Meters
 01 : 01Meter
 02 : 02Meters
 :
 :
 99 : 99Meters

Cable Length(L): 01~99Meters



- Note:
- * (Circled L) Important Dimension To Check.
 - * Waterproof Rate: IP67
 - * Housing: Nylon+GF, Black.
 - * Female Pin: Copper Alloy, Gold Plated.
 - * Screw Nut: Nylon+GF, Black.
 - * O-Ring: Silicone, Gray
 - * Cable: UL2464 24AWG+D+AL/Wy
PVC Jacket UV Resistant, Black.
 - * Cable Length Tolerance: 01M: 40mm
02M~05M: ±60mm
06M~10M: ±100mm
11M~30M: ±200mm
31M~99M: ±500mm

8P	PVC	24	5.5	ABD-08BFFM-SL7AXX
7P			5.8	ABD-07BFFM-SL7AXX
6P			5.8	ABD-06BFFM-SL7AXX
5P			5.0	ABD-05BFFM-SL7AXX
4P			5.8	ABD-04BFFM-SL7AXX
3P			4.5	ABD-03BFFM-SL7AXX
2P			4.2	ABD-02BFFM-SL7AXX
Contacts			Cable Jacket	Cable OD

UNIT: mm		TITLE STANDARD CABLE SCREW F CONN F PIN		
TOLERANCE ±0.5mm	SCALE 1:1	SIZE A4	SHEET 1 OF 2	REV. A
	WC-REV. A.1	QC: Inspection item		

Amphenol LTW
 安費諾亮泰企業股份有限公司

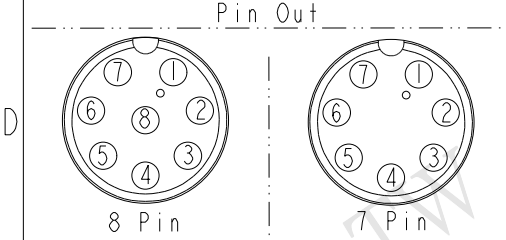
ITEM NO.	DRAWN BY Jinhai	DATE 2015-07-13
DWG NO. ABD-XXBFFM-SL7AXX	CHECKED BY Rensong	DATE 2015-07-13
CUSTOMER ALTW	APPROVED BY Jerry	DATE 2015-07-13

THIS DOCUMENT IS SUBJECT TO CHANGE WITHOUT NOTICE. IT IS CONFIDENTIAL AND A PROPERTY OF Amphenol LTW. DISCLOSURE TO THIRD PARTY HAS TO BE AUTHORIZED BY Amphenol LTW.

THIS DOCUMENT IS SUBJECT TO CHANGE WITHOUT NOTICE. IT IS CONFIDENTIAL AND A PROPERTY OF AMPHENOL LTW. DISCLOSURE TO THIRD PARTY HAS TO BE AUTHORIZED BY AMPHENOL LTW.

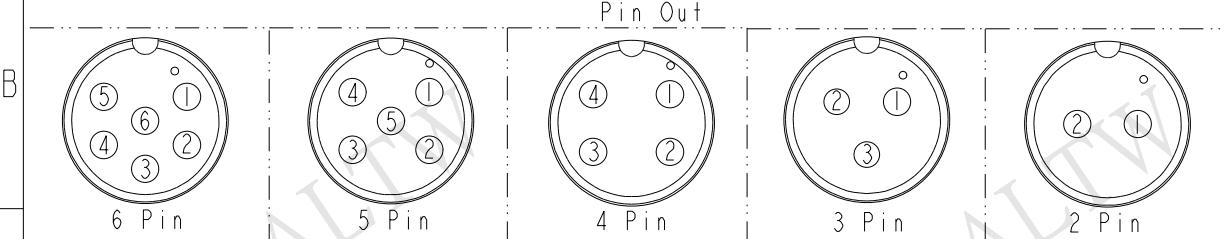
REV.	ECN NO.	DATE	SIGN	DESCRIPTION

8	Green 綠	7	White 白
7	Yellow 黃	6	Green 綠
6	Orange 橙	5	Brown 棕
5	Red 紅	4	Red 紅
4	Blue 藍	3	Yellow 黃
3	White 白	2	Orange 橙
2	Brown 棕	1	Blue 藍
1	Black 黑		
Pin # Wire		Pin # Wire	

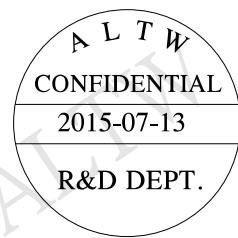


Pin Assignments Front View

6	White 白	5	Green 綠	4	Yellow 黃	3	Black 黑	2	Red 紅
5	Red 紅	4	White 白	3	Red 紅	2	Blue 藍	1	Black 黑
4	Orange 橙	3	Black 黑	2	Green 綠	1	Brown 棕		
3	Yellow 黃	2	Blue 藍	1	White 白				
2	Green 綠	1	Brown 棕						
1	Blue 藍								
Pin # Wire		Pin # Wire		Pin # Wire		Pin # Wire		Pin # Wire	



Pin Assignments Front View



UNIT: mm

TITLE			
STANDARD CABLE SCREW F CONN F PIN			
SCALE	SIZE	SHEET	
1:1	A4	2 OF 2	
REV.	WC-REV.	QC: Inspection item	
A	A.1		

Amphenol LTW
安費諾亮泰企業股份有限公司

ITEM NO.	DRAWN BY	DATE
	Jinhai	2015-07-13
DWG NO.	CHECKED BY	DATE
ABD-XXBFFM-SL7AXX	Rensong	2015-07-13
CUSTOMER	APPROVED BY	DATE
ALTW	Jerry	2015-07-13

X-ON Electronics

Largest Supplier of Electrical and Electronic Components

Click to view similar products for [Sensor Cables / Actuator Cables](#) category:

Click to view products by [Amphenol](#) manufacturer:

Other Similar products are found below :

[60963](#) [60964](#) [703000D02F2002](#) [703001D02F0602](#) [703001D02F300](#) [704000D02F120](#) [773032K02F030](#) [802027107404-1](#) [802027213811-1](#)
[804001A09M150](#) [805001A09M0502](#) [84914-0235](#) [84914-0237](#) [885030A09M020](#) [8R4J30E03C3003](#) [1200651332](#) [1200651713](#) [1200660844](#)
[1200660845](#) [1200661173](#) [1200680071](#) [1200720053](#) [1200720081](#) [1200720099](#) [1200720217](#) [1200800231](#) [1200860125](#) [1200870123](#)
[1200980102](#) [1200650267](#) [1200650298](#) [1200660183](#) [1200660782](#) [1200660849](#) [1200661295](#) [1200661297](#) [1200661342](#) [1200661343](#)
[1200670080](#) [1200670220](#) [1200680331](#) [1200720252](#) [1200730184](#) [1200860344](#) [1200870359](#) [1200870643](#) [1200980008](#) [1200980031](#)
[1210502211](#) [1210400542](#)