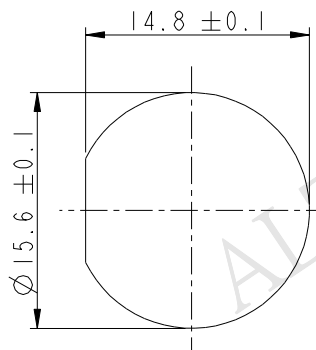
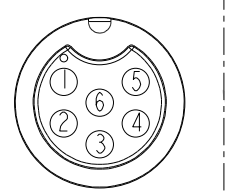
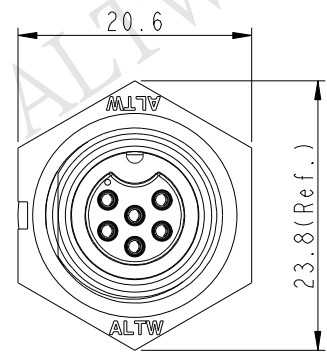
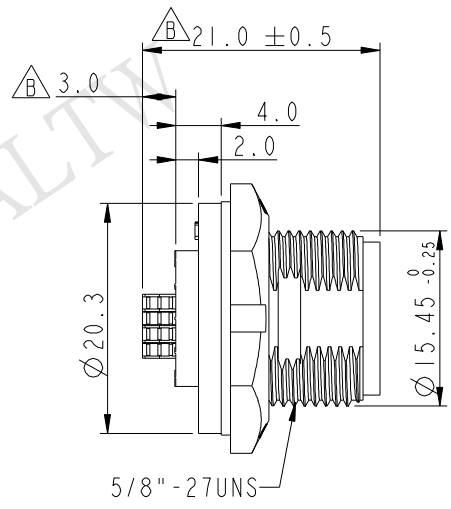
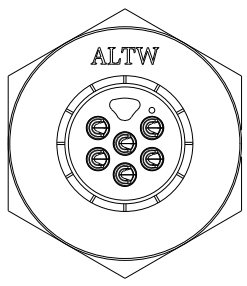


REV.	ECN NO.	DATE	SIGN	DESCRIPTION
B	LEN1680775~79	2016/08/17	Jinhai	Change Dimensions



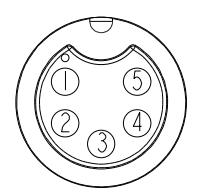
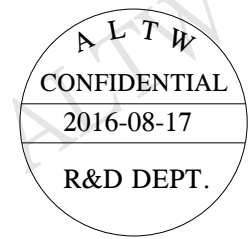
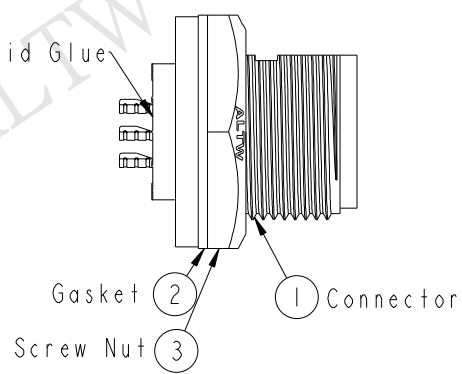
Recommended Panel
Cut-Out



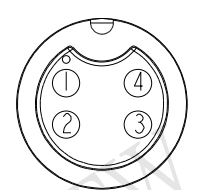
6 Pin
Pin Assignments
Front View

ABD-XXPMFS-SC7001
02:2Pin
:
06:6Pin

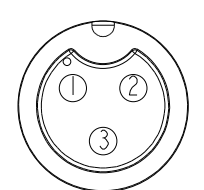
With Liquid Glue



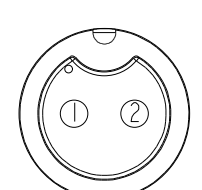
5 Pin



4 Pin



3 Pin



2 Pin

Pin Assignments Front View

Note:

- * (C) Important Dimension To Check.
- * Waterproof Rate: IP67
- * Housing: Nylon+GF, Black
- * Female Pin: Copper Alloy, Gold Plated
- * Gasket: Silicone, Gray
- * Screw Nut: Nylon+GF, Black
- * Use with waterproof cap or dust cap
Maximum Panel Thickness: 3.3mm
- * Use without waterproof cap or dust cap
Maximum Panel Thickness: 4.5mm

UNIT:mm		
TOLERANCE	.X ±0.25	
.XX ±0.1		
.XXX ±0.05		
ANGLES	±1°	

TITLE STANDARD PANEL SCREW M CONN F PIN			
SCALE 2:1	SIZE A4	SHEET 1 OF 1	
REV. B	WC-REV. A.1	QC: Inspection item	

Amphenol LTW
安費諾亮泰企業股份有限公司

ITEM NO	DRAWN BY Jinhai	DATE 2016-08-17
DWG NO ABD-XXPMFS-SC7001	CHECKED BY Mafei	DATE 2016-08-17
CUSTOMER ALTW	APPROVED BY Jerry	DATE 2016-08-17

THIS DOCUMENT IS SUBJECT TO CHANGE WITHOUT NOTICE. IT IS CONFIDENTIAL AND A PROPERTY OF AMPHENOL LTW. DISCLOSURE TO THIRD PARTY HAS TO BE AUTHORIZED BY AMPHENOL LTW.

X-ON Electronics

Largest Supplier of Electrical and Electronic Components

Click to view similar products for [Circular Metric Connectors](#) category:

Click to view products by [Amphenol](#) manufacturer:

Other Similar products are found below :

[600X518037X](#) [6STD15PCR99B70A](#) [8R4000A16M020](#) [8R5000A16M005](#) [1200910002](#) [1203580030](#) [1200910008](#) [1200910011](#) [1300140094](#)
[130203-0054](#) [1300140026](#) [1300150099](#) [1-3637-600-5205](#) [1612618](#) [21036836414](#) [8R4006A16M010](#) [1R3006A20M005](#) [41-40011](#) [42-00006](#)
[42-01015](#) [4-22279-4](#) [4-22281-1](#) [4-22284-9](#) [43-00113](#) [43-01203](#) [41-40013](#) [42-00008](#) [43-00343](#) [43-01026](#) [43-01162](#) [43-01173](#) [43-10000](#)
[XS3P-M421-2](#) [600X518050X](#) [8R5006A16M020](#) [8R5006A16M005](#) [8R4000A16M010](#) [6-22279-3](#) [1605332](#) [N03FA03144](#) [1300140077](#) [43-](#)
[16213](#) [43-01338](#) [XS2RD4265](#) [XS2R-D426-1](#) [XS8A-0441](#) [859RD04-103R004](#) [860RD04-113R004](#) [860RD04-213R004](#) [1-213245-2](#)