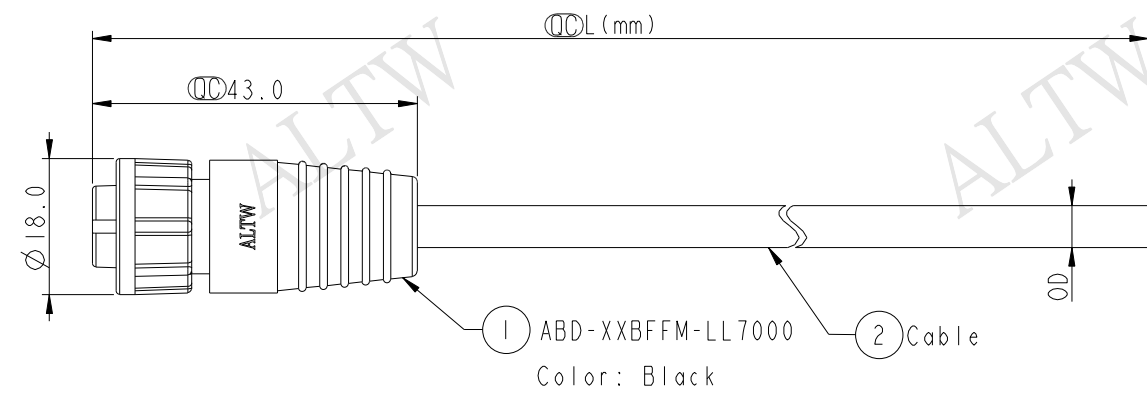


THIS DOCUMENT IS SUBJECT TO CHANGE WITHOUT NOTICE. IT IS CONFIDENTIAL AND A PROPERTY OF AMPHENOL LTW. DISCLOSURE TO THIRD PARTY HAS TO BE AUTHORIZED BY AMPHENOL LTW.

REV.	ECN NO.	DATE	SIGN	DESCRIPTION

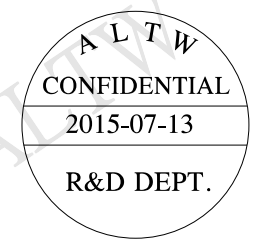


ABD-XXBFFM-LL7AXX

02: 2Pin  
:  
:  
08: 8Pin

XX : 01~99Meters  
01 : 01Meter  
02 : 02Meters  
:  
:  
99 : 99Meters

Cable Length(L): 01~99Meters



- Note:
- \*  $\varnothing$  Important Dimension To Check.
  - \* Waterproof Rate: IP67
  - \* Housing: Nylon+GF, Black.
  - \* Female Pin: Copper Alloy, Gold Plated.
  - \* Lock Nut: Nylon+GF, Black.
  - \* O-Ring: Silicone, Gray
  - \* Cable: UL2464 24AWG+D+AL/Wy  
PVC Jacket UV Resistant, Black.
  - \* Cable Length Tolerance:
    - 01M: 40mm
    - 02M~05M: ±60mm
    - 06M~10M: ±100mm
    - 11M~30M: ±200mm
    - 31M~99M: ±500mm

8P	PVC	5.5	24	ABD-08BFFM-LL7AXX
7P		5.8		ABD-07BFFM-LL7AXX
6P		5.8		ABD-06BFFM-LL7AXX
5P		5.0		ABD-05BFFM-LL7AXX
4P		5.8		ABD-04BFFM-LL7AXX
3P		4.5		ABD-03BFFM-LL7AXX
2P		4.2		ABD-02BFFM-LL7AXX
Contacts		Cable Jacket		Cable OD

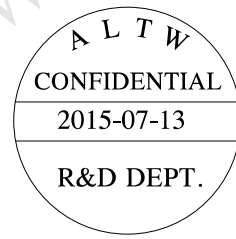
UNIT: mm		TITLE
TOLERANCE	±0.5mm	STANDARD CABLE LOCK F CONN F PIN
SCALE	1:1	SIZE A4
REV.	A	SHEET 1 OF 2
WC-REV.	A.1	QC: Inspection item

**Amphenol LTW**  
安費諾亮泰企業股份有限公司

ITEM NO.	DRAWN BY	DATE
DWG NO.	CHECKED BY	DATE
CUSTOMER	APPROVED BY	DATE
ALTW	Jinhai	2015-07-13
	Rensong	2015-07-13
	Jerry	2015-07-13

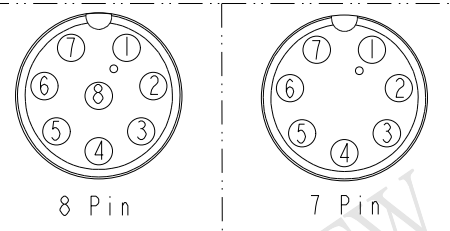
THIS DOCUMENT IS SUBJECT TO CHANGE WITHOUT NOTICE. IT IS CONFIDENTIAL AND A PROPERTY OF AMPHENOL LTW. DISCLOSURE TO THIRD PARTY HAS TO BE AUTHORIZED BY AMPHENOL LTW.

REV.	ECN NO.	DATE	SIGN	DESCRIPTION



8	Green 綠	7	White 白
7	Yellow 黃	6	Green 綠
6	Orange 橙	5	Brown 棕
5	Red 紅	4	Red 紅
4	Blue 藍	3	Yellow 黃
3	White 白	2	Orange 橙
2	Brown 棕	1	Blue 藍
1	Black 黑		
Pin # Wire		Pin # Wire	

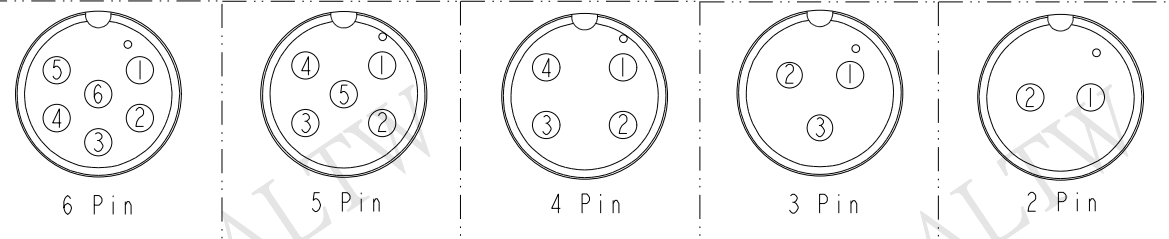
Pin Out



Pin Assignments Front View

6	White 白	5	Green 綠	4	Yellow 黃	3	Black 黑	2	Red 紅
5	Red 紅	4	White 白	3	Red 紅	2	Blue 藍	1	Black 黑
4	Orange 橙	3	Black 黑	2	Green 綠	1	Brown 棕		
3	Yellow 黃	2	Blue 藍	1	White 白				
2	Green 綠	1	Brown 棕						
1	Blue 藍								
Pin # Wire		Pin # Wire		Pin # Wire		Pin # Wire		Pin # Wire	

Pin Out



Pin Assignments Front View

UNIT:mm

TITLE STANDARD CABLE LOCK F CONN F PIN			
SCALE 1:1	SIZE A4	SHEET 2 OF 2	
REV. A	WC-REV. A.1	QC: Inspection item	

**Amphenol LTW**  
安費諾亮泰企業股份有限公司

ITEM NO.	DRAWN BY Jinhai	DATE 2015-07-13
DWG NO. ABD-XXBFFM-LL7AXX	CHECKED BY Rensong	DATE 2015-07-13
CUSTOMER ALTW	APPROVED BY Jerry	DATE 2015-07-13

## X-ON Electronics

Largest Supplier of Electrical and Electronic Components

*Click to view similar products for [Sensor Cables / Actuator Cables](#) category:*

*Click to view products by [Amphenol](#) manufacturer:*

Other Similar products are found below :

[60963](#) [60964](#) [M83513/19-F01CP](#) [703000D02F2002](#) [703001D02F0602](#) [703001D02F300](#) [704000D02F120](#) [773032K02F030](#) [802027107404-1](#)  
[802027213811-1](#) [804001A09M150](#) [805001A09M0502](#) [84914-0235](#) [84914-0237](#) [885030A09M020](#) [8R4J30E03C3003](#) [1200651332](#)  
[1200651713](#) [1200660844](#) [1200660845](#) [1200661173](#) [1200680071](#) [1200720053](#) [1200720081](#) [1200720099](#) [1200720217](#) [1200800231](#)  
[1200860125](#) [1200870123](#) [1200980102](#) [1200650267](#) [1200650298](#) [1200660183](#) [1200660782](#) [1200660849](#) [1200661295](#) [1200661297](#)  
[1200661342](#) [1200661343](#) [1200670080](#) [1200670220](#) [1200680331](#) [1200720252](#) [1200730184](#) [1200860344](#) [1200870359](#) [1200870643](#)  
[1200980008](#) [1200980031](#) [1210502211](#)