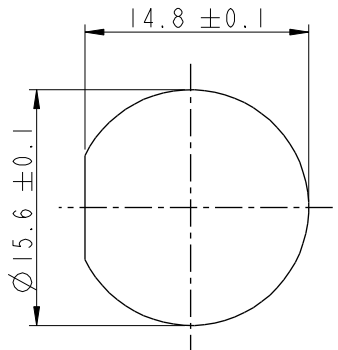
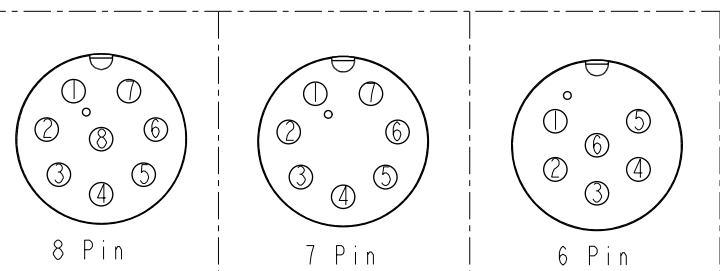
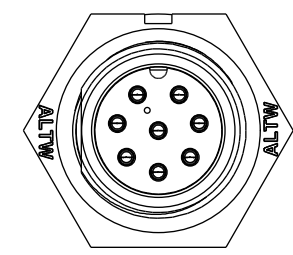
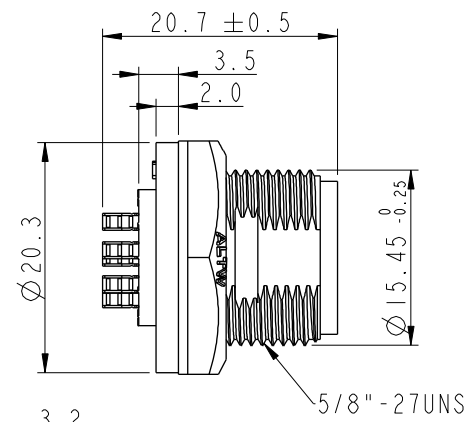
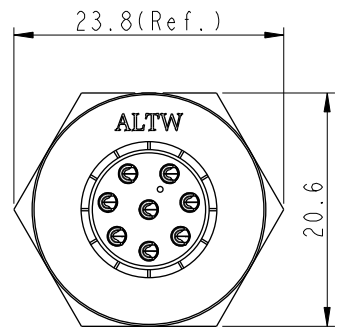


THIS DOCUMENT IS SUBJECT TO CHANGE WITHOUT NOTICE. IT IS CONFIDENTIAL AND A PROPERTY OF AMPHENOL LTW. DISCLOSURE TO THIRD PARTY HAS TO BE AUTHORIZED BY AMPHENOL LTW.

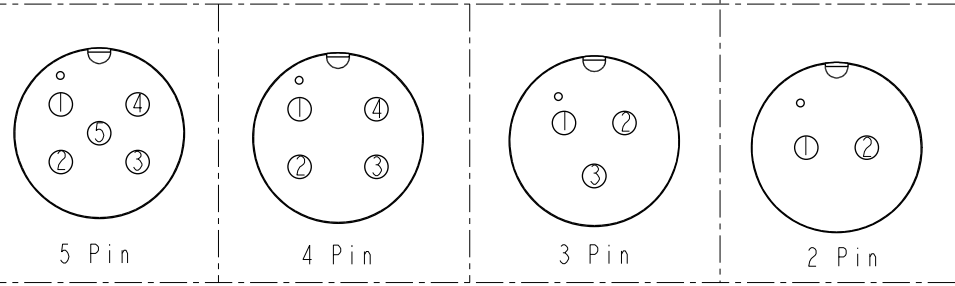
REV.	ECN NO.	DATE	SIGN	DESCRIPTION
B	C190346	2019/03/05	Vicky	Change Note



Recommended Panel
Cut-Out

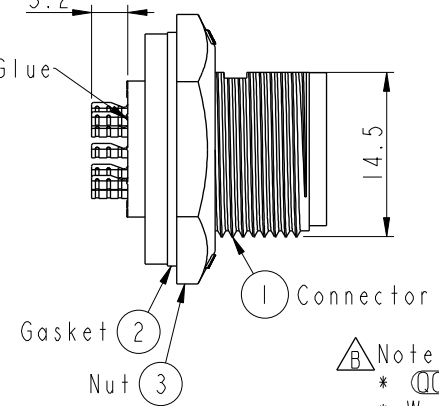


Pin Assignments Front View



Pin Assignments Front View

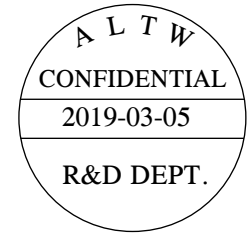
With Liquid Glue



ABD-XXPMS-SC7001

02:2Pin

08:8Pin



Note:

- * (CC) Important Dimension To Check.
- * Waterproof Rate: IP67, Unmated.
- * Housing: Thermoplastic, Black.
- * Pin: Copper Alloy, Gold Plated.
- * Gasket: Rubber, Gray.
- * Nut: Thermoplastic, Black.
- * Use with waterproof cap or dust cap
Maximum Panel Thickness: 3.3mm
- * Use without waterproof cap or dust cap
Maximum Panel Thickness: 4.5mm
- * Gasket and Nut are packed separately
in PE bags. (Gasket/Nut不組裝, 散裝出貨)

UNIT: mm		TITLE STANDARD PANEL SCREW M CONN M PIN		
TOLERANCE		SCALE	SIZE	SHEET OF
.X ±0.25		2:1	A4	1 OF 1
.XX ±0.1		REV.	WC-REV.	
.XXX ±0.05		B	A.1	(CC): Inspection item
ANGLES ±1°				

Amphenol LTW

安費諾亮泰企業股份有限公司

ITEM NO.	DRAWN BY	DATE
	Vicky	2019-03-05
DWG NO.	CHECKED BY	DATE
ABD-XXPMS-SC7001	Rita	2019-03-05
CUSTOMER	APPROVED BY	DATE
ALTW	Max	2019-03-05

X-ON Electronics

Largest Supplier of Electrical and Electronic Components

Click to view similar products for [Circular Metric Connectors](#) category:

Click to view products by [Amphenol](#) manufacturer:

Other Similar products are found below :

[600X518037X](#) [6STD15PCR99B70A](#) [8R4000A16M020](#) [8R5000A16M005](#) [1200910002](#) [1203580030](#) [1200910008](#) [1200910011](#) [1300140094](#)
[130203-0054](#) [1300140026](#) [1300150099](#) [1-3637-600-5205](#) [1612618](#) [21036836414](#) [8R4006A16M010](#) [1R3006A20M005](#) [41-40011](#) [42-00006](#)
[42-01015](#) [4-22279-4](#) [4-22281-1](#) [4-22284-9](#) [43-00113](#) [43-01203](#) [41-40013](#) [42-00008](#) [43-00343](#) [43-01026](#) [43-01162](#) [43-01173](#) [43-10000](#)
[XS3P-M421-2](#) [600X518050X](#) [8R5006A16M020](#) [8R5006A16M005](#) [8R4000A16M010](#) [6-22279-3](#) [1605332](#) [N03FA03144](#) [1300140077](#) [43-](#)
[16213](#) [43-01338](#) [XS2RD4265](#) [XS2R-D426-1](#) [XS8A-0441](#) [859RD04-103R004](#) [860RD04-113R004](#) [860RD04-213R004](#) [1-213245-2](#)