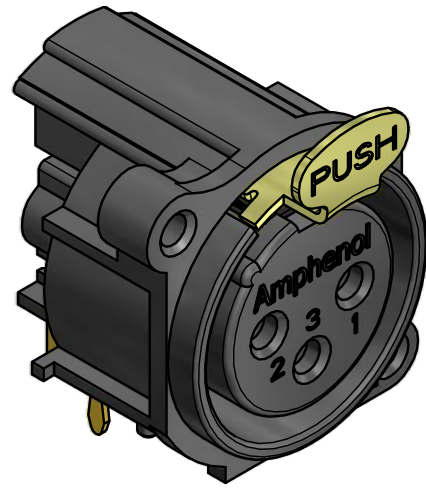
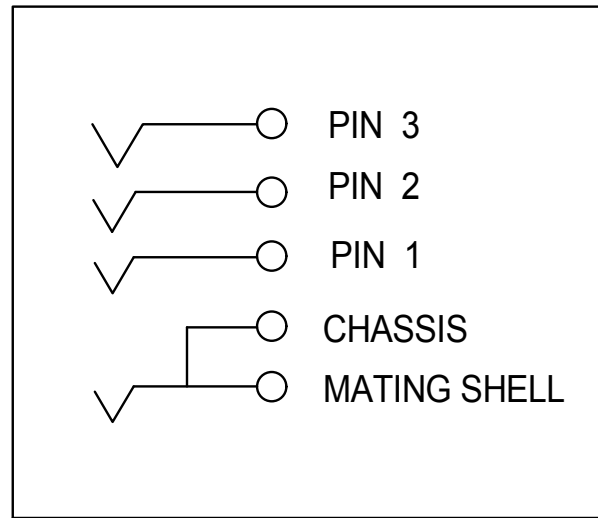
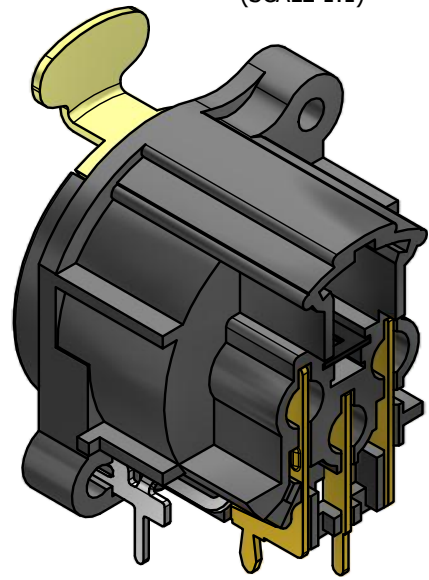
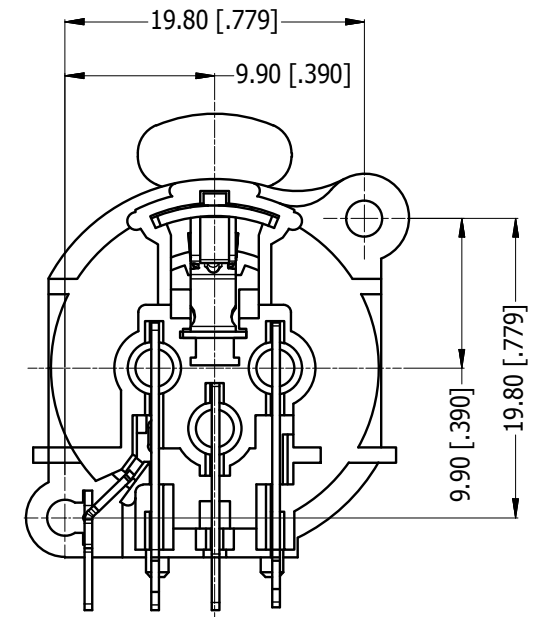
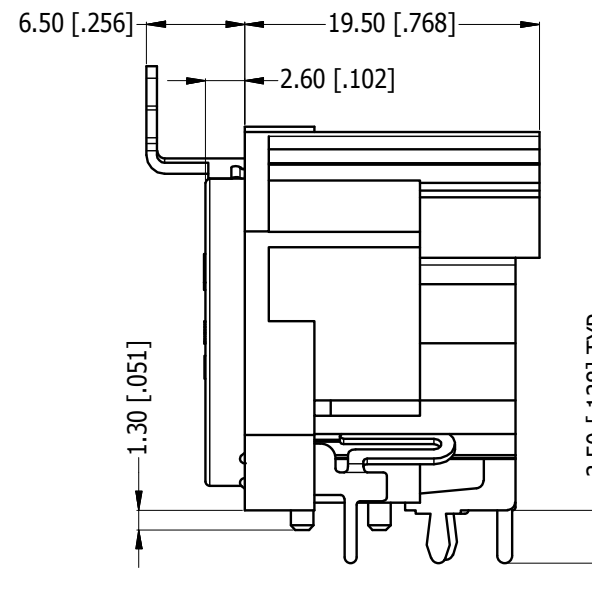
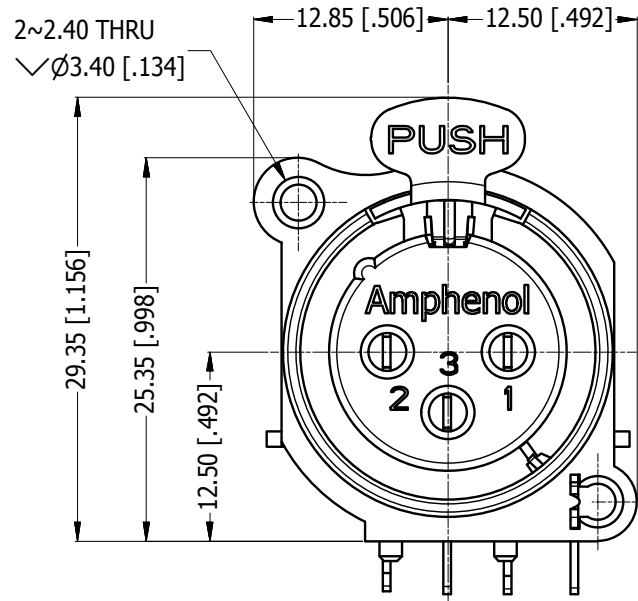


LEGEND = KEY PRODUCT CHARACTERISTICS

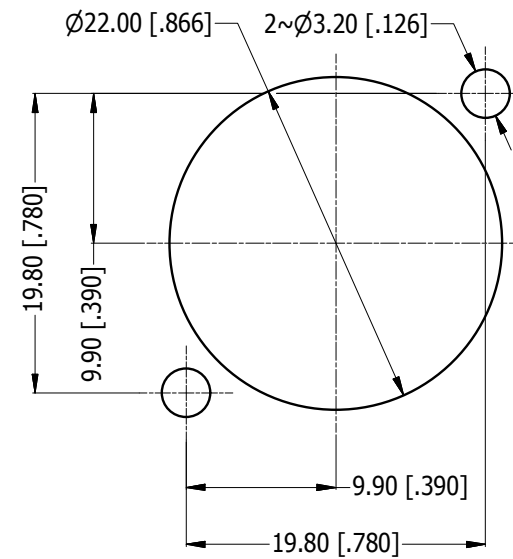
| REVISION HISTORY | | | | |
|------------------|-------------|------------|----|--------|
| REV | DESCRIPTION | DATE | BY | CHG/No |
| 0 | FIRST ISSUE | 20/08/2014 | MH | --- |



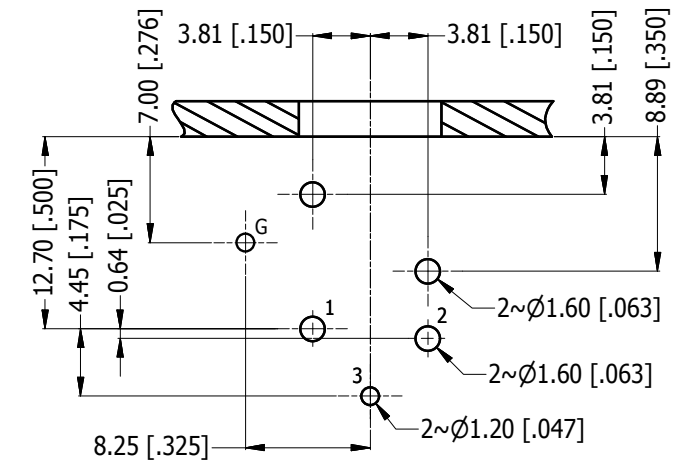
ISO VIEW
(SCALE 1:1)



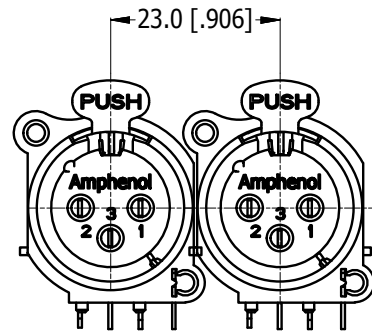
SCHEMATIC CHART



PANEL CUT OUT
REAR VIEW



PCB-LAYOUT
COMPONENT SIDE
TOLERANCE: $\pm 0.05\text{mm}$ [.002"]



MIN MOUNTING PITCH
SCALE 1:1

| | | | | | | | |
|--|-------------|---|------------|-----------|--------------------------|--|------------|
| UNLESS OTHERWISE SPECIFIED TOLERANCE TO BE | | THIS DOCUMENT IS THE PROPERTY OF AMPHENOL AUSTRALIA PTY. LTD. NO PART THEREOF MAY BE REPRODUCED AND USED WITHOUT THE PRIOR WRITTEN CONSENT OF THE OWNER | | | | Amphenol Amphenol Australia Pty.Ltd, 22 Industry Blvd, Carrum Downs, VIC 3201 | |
| LINEAR | ANGULAR | MATERIAL: | DRN: | DATE: | TITLE: | PART No: | |
| X ± 0.5 | X' ± 1 | REFER TO COMPONENT | MH | 20/08/14 | AC3FAH2-AU-PRE | AC3FAH2-AU-PRE | |
| X.X ± 0.2 | X.X' ± 30' | FINISH: REFER TO COMPONENT | CKD: | DATE: | HORIZONTAL FEMALE | DRAWING NO. | SHEET |
| X.XX ± 0.1 | X.XX" ± 15' | DO NOT SCALE | P.M | 20/08/14 | CUSTOMER DRAWING | 55011036-000-2 | 2/2 |
| DIMENSIONS IN MILLIMETRES | | THIRD ANGLE PROJECTION | SCALE: | SIZE: | CAD FILE | 55011036000220 | |
| | | | 2:1 | A3 | | | |

X-ON Electronics

Largest Supplier of Electrical and Electronic Components

Click to view similar products for [XLR Connectors](#) category:

Click to view products by [Amphenol](#) manufacturer:

Other Similar products are found below :

[707-0300](#) [8800235](#) [91101181024](#) [PPCB-H](#) [A3F01](#) [A3M01](#) [QGP3F](#) [HA16PRQ-3SE\(71\)](#) [AA3FL](#) [AAA4FWZ](#) [AAA4MWZ](#) [AC3-MIC](#) [AC4-MIC](#) [AC5FPZB](#) [AC6AFDZV](#) [D4FB](#) [DE4MW](#) [DHNFBAG](#) [E3MBAUSW](#) [NA2FP-UW](#) [NA3MP-UW](#) [NC3FBHR1-0](#) [NC3FD-H-0](#) [NC3FK-V](#) [NC3FXY-B](#) [NC3MK-V](#) [NC3MXY](#) [NC5FX-HD-B](#) [NC6MSX-BAG](#) [91210071096](#) [SL05](#) [99.265.0400.0](#) [A3F04](#) [AC3FG](#) [AC4-FCP](#) [AC4FPZ](#) [AQG4F](#) [2504FP](#) [30-498-2](#) [R6MZ](#) [3FD-H-I](#) [3FD-H-I-\(0\)](#) [3FD-H-I-B](#) [3FD-V-I](#) [3FD-V-I-\(0\)](#) [3FD-V-I-B](#) [3MD-H-I-B](#) [3MD-V-I](#) [3MD-V-I-B](#) [TA01](#)