

1

2

3

4

5

6

A

A

B

B

C

C

D

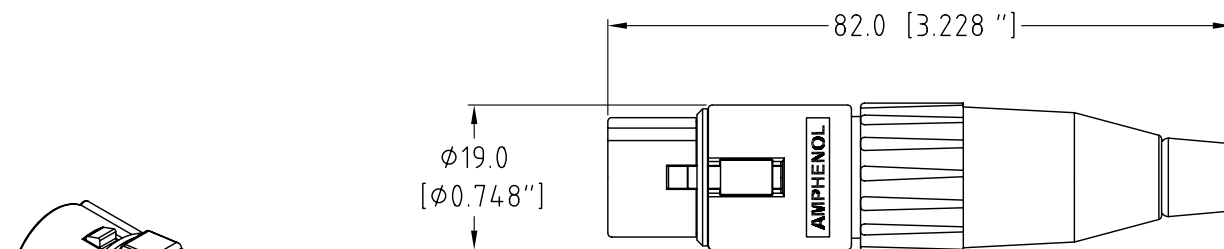
D

E

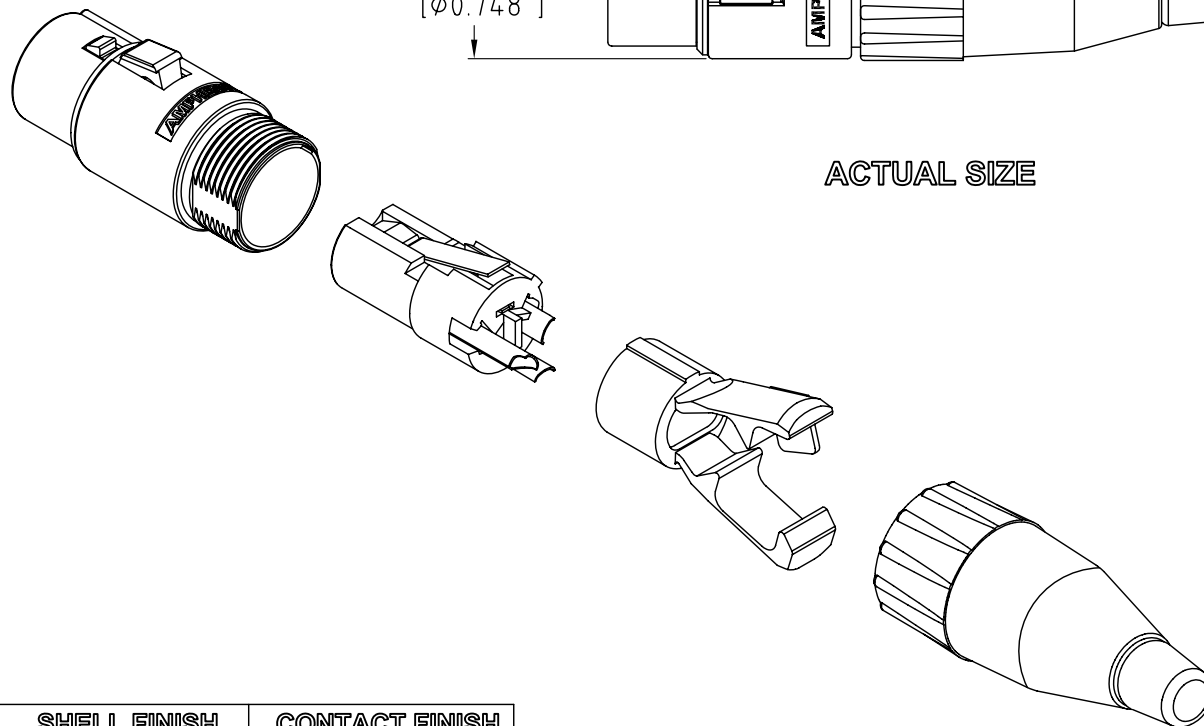
E

F

F



ACTUAL SIZE



CAT P/No.	SHELL FINISH	CONTACT FINISH
AC3F	NICKEL	TIN PLATING
AC3FJ		GOLD PLATING
AC3F-AU		
AC3FJ-AU	BLACK	TIN PLATING
AC3FB		GOLD PLATING
AC3FBJ		
AC3FB-AU		
AC3FBJ-AU		

UNLESS OTHERWISE SPECIFIED TOLERANCE TO BE		THIS DOCUMENT IS THE PROPERTY OF AMPHENOL AUSTRALIA PTY. LTD. NO PART THEREOF MAY BE REPRODUCED AND USED WITHOUT THE PRIOR WRITTEN CONSENT OF THE OWNER				0	FIRST ISSUE	L.V	01-05-06	----
LINEAR		ANGULAR		CAD FILE:	00848100	DRN:	L.V	DATE:	01-05-06	TITLE:
X ± 0.5	X° ± 1°			MATL:	REFER TO COMPONENT	CKD:	M.N.H	DATE:	01-05-06	AC3F LINE CONNECTOR CUSTOMER DWG
XX ± 0.1	X°X' ± 30'			DO NOT SCALE	FINISH: REFER TO COMPONENT	APP'D:	P.M	DATE:	01-05-06	
XXX ± 0.05	X°X'X" ± 15'			THIRD ANGLE PROJECTION		SCALE:	1:1 UOS	PART No:	REFER TO CHART	SIZE: A4
DIMENSIONS IN MILLIMETRES						DRAWING NO.		128321-0000		SHEET
						2 OF 2				

1

2

3

4

5

6

X-ON Electronics

Largest Supplier of Electrical and Electronic Components

Click to view similar products for [XLR Connectors](#) category:

Click to view products by [Amphenol](#) manufacturer:

Other Similar products are found below :

[707-0300](#) [8800235](#) [91101181024](#) [PPCB-H](#) [A3F01](#) [A3M01](#) [QGP3F](#) [HA16PRQ-3SE\(71\)](#) [AA3FL](#) [AAA4FWZ](#) [AAA4MWZ](#) [AC3-MIC](#) [AC4-MIC](#) [AC5FPZB](#) [AC6AFDZV](#) [D4FB](#) [DE4MW](#) [DHNFBAG](#) [E3MBAUSW](#) [NA2FP-UW](#) [NA3MP-UW](#) [NC3FBHR1-0](#) [NC3FD-H-0](#) [NC3FK-V](#) [NC3FXY-B](#) [NC3MK-V](#) [NC3MXY](#) [NC5FX-HD-B](#) [NC6MSX-BAG](#) [91210071096](#) [SL05](#) [99.265.0400.0](#) [A3F04](#) [AC3FG](#) [AC4-FCP](#) [AC4FPZ](#) [AQG4F](#) [2504FP](#) [30-498-2](#) [R6MZ](#) [3FD-H-I](#) [3FD-H-I-\(0\)](#) [3FD-H-I-B](#) [3FD-V-I](#) [3FD-V-I-\(0\)](#) [3FD-V-I-B](#) [3MD-H-I-B](#) [3MD-V-I](#) [3MD-V-I-B](#) [TA01](#)