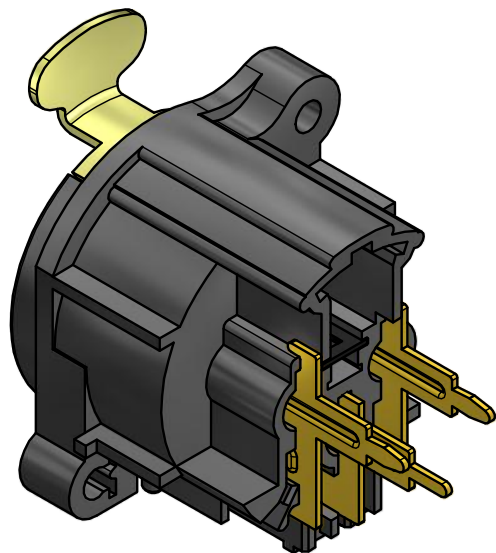
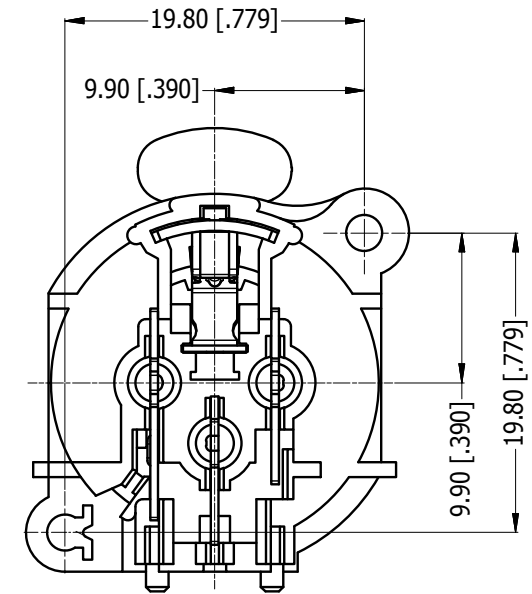
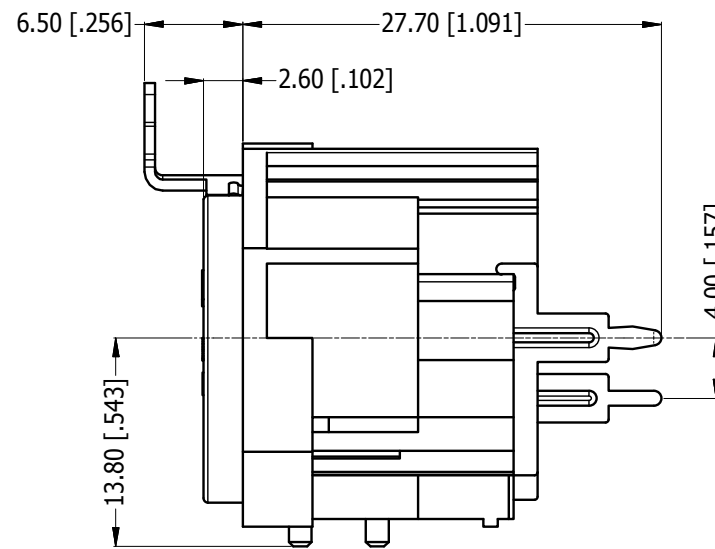
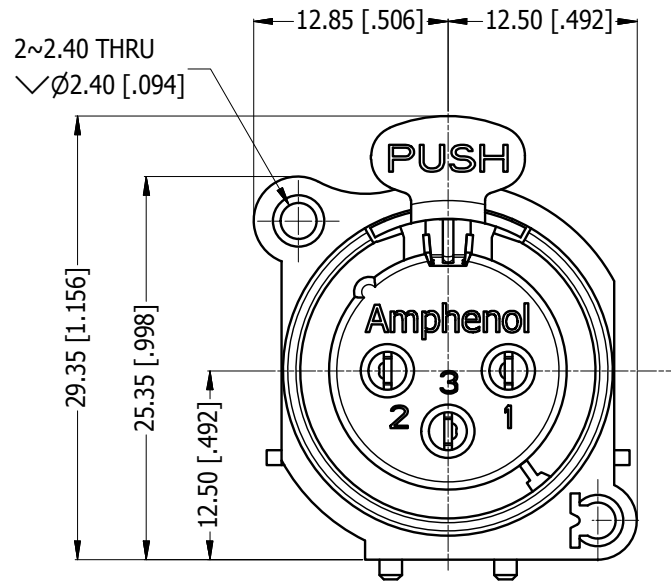
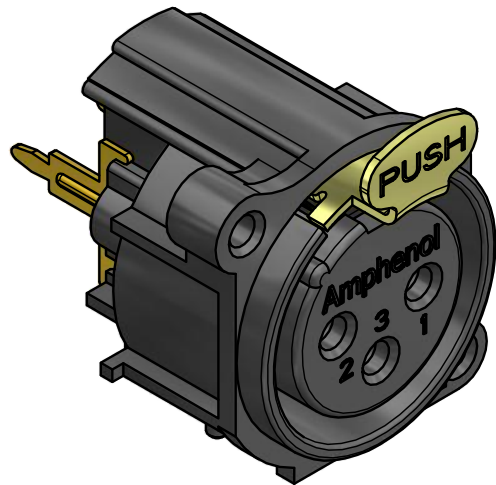
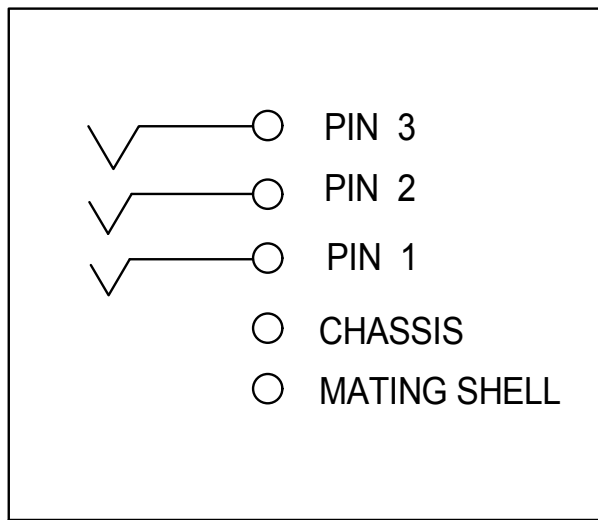


LEGEND = KEY PRODUCT CHARACTERISTICS

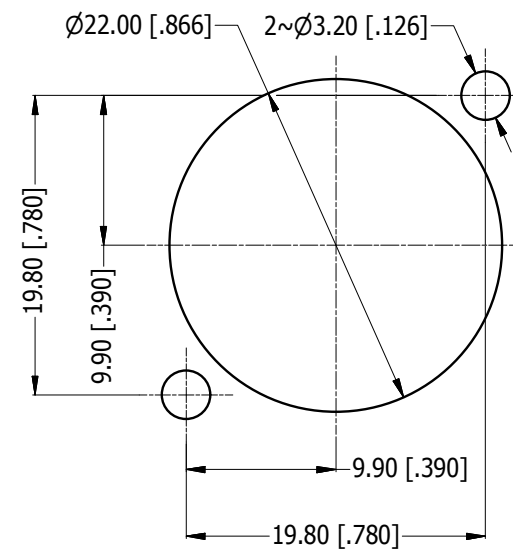
REVISION HISTORY				
REV	DESCRIPTION	DATE	BY	CHG/No
0	FIRST ISSUE	26/09/14	MH	---



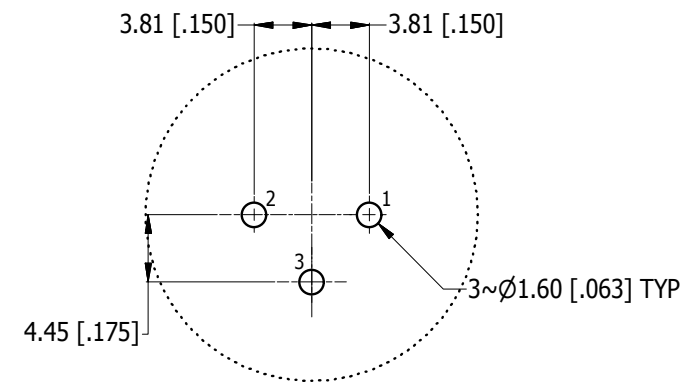
ISO VIEW



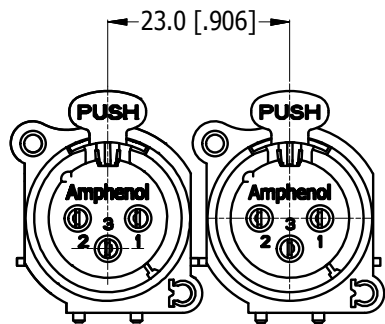
SCHMATIC CHART



PANEL CUT OUT  
REAR VIEW



PCB-LAYOUT  
COMPONENT SIDE  
TOLERANCE:  $\pm 0.05\text{mm} [0.002\text{"]}$



MIN MOUNTING PITCH  
SCALE 1:1

UNLESS OTHERWISE SPECIFIED TOLERANCE TO BE		THIS DOCUMENT IS THE PROPERTY OF AMPHENOL AUSTRALIA PTY. LTD. NO PART THEREOF MAY BE REPRODUCED AND USED WITHOUT THE PRIOR WRITTEN CONSENT OF THE OWNER				<b>Amphenol</b> Amphenol Australia Pty.Ltd, 22 Industry Blvd, Carrum Downs, VIC 3201	
LINEAR	ANGULAR	MATERIAL:	DRN:	DATE:	TITLE:	PART No:	
X ± 0.5	X' ± 1	REFER TO COMPONENT	MH	26/09/14	<b>AC3FAV-AU-PRE A-TYPE VERTICAL CUSTOMER DRAWING</b>	AC3FAV-AU-PRE	
X.X ± 0.2	X.X' ± 30'	BREAK ALL SHARP EDGES AND REMOVE ALL BURRS	CKD:	26/09/14		DRAWING NO.	SHEET
X.XX ± 0.1	X.XX" ± 15'	DO NOT SCALE	APP'D:	26/09/14		55011032-000-2	2/2
DIMENSIONS IN MILLIMETRES		THIRD ANGLE PROJECTION	SCALE:	SIZE:	CAD FILE 55011032000220		
			2:1	A3			

## X-ON Electronics

Largest Supplier of Electrical and Electronic Components

*Click to view similar products for [XLR Connectors](#) category:*

*Click to view products by [Amphenol](#) manufacturer:*

Other Similar products are found below :

[707-0300](#) [8800235](#) [91101181024](#) [PPCB-H](#) [A3F01](#) [A3M01](#) [QGP3F](#) [HA16PRQ-3SE\(71\)](#) [AA3FL](#) [AAA4FWZ](#) [AAA4MWZ](#) [AC3-MIC](#) [AC4-MIC](#) [AC5FPZB](#) [AC6AFDZV](#) [D4FB](#) [DE4MW](#) [DHNFBAG](#) [E3MBAUSW](#) [NA2FP-UW](#) [NA3MP-UW](#) [NC3FBHR1-0](#) [NC3FD-H-0](#) [NC3FK-V](#) [NC3FXY-B](#) [NC3MK-V](#) [NC3MXY](#) [NC5FX-HD-B](#) [NC6MSX-BAG](#) [91210071096](#) [SL05](#) [99.265.0400.0](#) [A3F04](#) [AC3FG](#) [AC4-FCP](#) [AC4FPZ](#) [AQG4F](#) [2504FP](#) [30-498-2](#) [R6MZ](#) [3FD-H-I](#) [3FD-H-I-\(0\)](#) [3FD-H-I-B](#) [3FD-V-I](#) [3FD-V-I-\(0\)](#) [3FD-V-I-B](#) [3MD-H-I-B](#) [3MD-V-I](#) [3MD-V-I-B](#) [TA01](#)