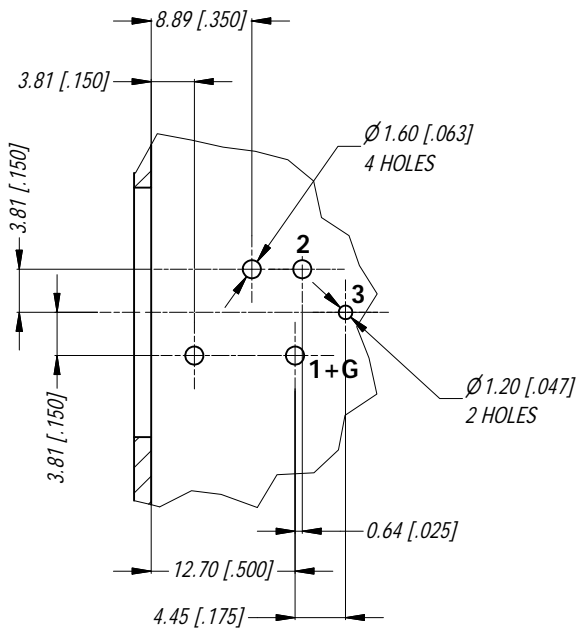


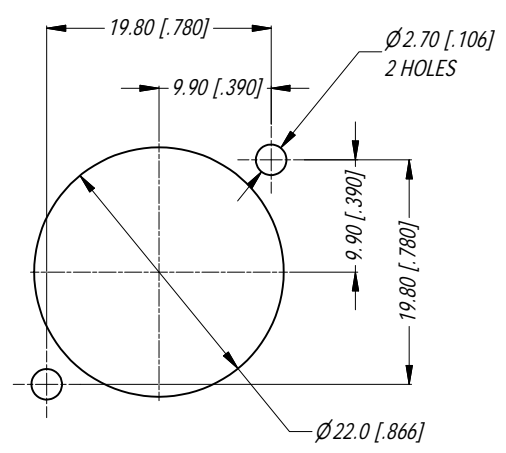
MIN MOUNTING PITCH (1:1)



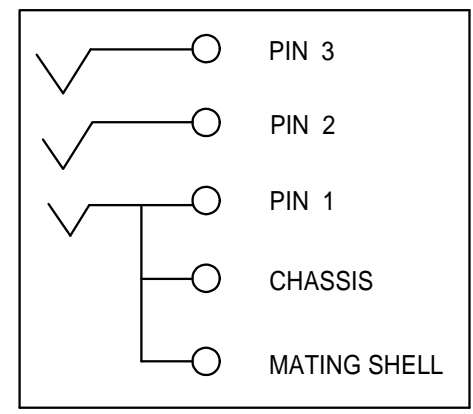
PCB LAYOUT

TOLERANCE : ± 0.05 [0.002 in]
NOTE: DIMS IN PARENTHESES ARE IN INCHES

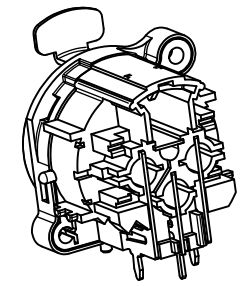
NOTE: SUFFIX "B" IN THE PART No. INDICATES BULK PACK.



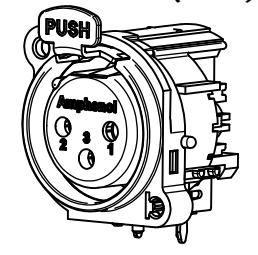
**PANEL CUT OUT
REAR VIEW**



SCHEMATIC CHART



3D VIEW (1:1)



| REV | DESCRIPTION | DATE | BY | CHG NO |
|-----|--------------------------------------|----------|-----|--------|
| 2 | ADD SUFFIX B TO PART No | 27/08/15 | T.N | 9318 |
| 1 | CHANGE NEW PUSH LEVER & LATCH SPRING | 18/12/08 | A.O | 8793 |
| 0 | FIRST ISSUE | 18/04/07 | T.N | 8686 |

REVISION HISTORY

| | | | | | |
|---|-------------|--|------|----------|--------------|
| UNLESS OTHERWISE SPECIFIED TOLERANCE TO BE: | | THIS DOCUMENT IS THE PROPERTY OF AMPHENOL AUSTRALIA PTY. LTD. NO PART THEREOF MAY BE REPRODUCED AND USED WITHOUT THE PRIOR WRITTEN CONSENT OF THE OWNER | | | |
| LINER | ANGULAR | CAD FILE: | DRN: | DATE: | |
| X ± | X' ± 1 | 55010487000221 | T.N | 17/04/07 | |
| X.X ± | X.X' ± 30° | MATL: | P.M | DATE: | |
| X.XX ± | X.XX' ± 15° | REFER TO COMPONENTS | | 07/04/09 | |
| BREAK ALL SHARP EDGES AND REMOVE ALL BURRS | | FINISH: | P.M | DATE: | |
| DO NOT SCALE | | REFER TO COMPONENTS | | 07/04/09 | |
| DIMENSIONS IN MILLIMETRES | | SCALE: | 3:2 | PART No: | AC3FBH1-AU-B |

| | | | |
|--|--|---|-------|
| TITLE: | | Amphenol | |
| XLR FEMALE B TYPE CONNECTOR | | Amphenol Australia Pty.Ltd, 2 Fiveways Blvd, Keysborough, Vic3173 | |
| CUSTOMER DWG | | DRAWING NO. | SHEET |
| | | 55010487-000-2 | 2/2 |

X-ON Electronics

Largest Supplier of Electrical and Electronic Components

Click to view similar products for [XLR Connectors](#) category:

Click to view products by [Amphenol](#) manufacturer:

Other Similar products are found below :

[707-0300](#) [PPCB-H](#) [A3F01](#) [A3M01](#) [QGP3F](#) [AA3FL](#) [AAA4FWZ](#) [AAA4MWZ](#) [AC3-MIC](#) [AC4-MIC](#) [AC5FPZB](#) [AC6AFDZV](#) [D4FB](#)
[DE4MW](#) [DHNF-BAG](#) [E3MBAUSW](#) [NA3MP-UW](#) [NC3FBHR1-0](#) [NC3FD-H-0](#) [NC3FK-V](#) [NC3FXY-B](#) [NC3MK-V](#) [NC3MXY](#) [NC5FX-](#)
[HD-B](#) [NC6MSX-BAG](#) [SL05](#) [99.265.0400.0](#) [A3F04](#) [AC3FG](#) [AC4-FCP](#) [AC4FPZ](#) [AQG4F](#) [2504FP](#) [30-498-2](#) [R6MZ](#) [3FD-H-I](#) [3FD-H-I-\(0\)](#)
[3FD-H-I-B](#) [3FD-V-I](#) [3FD-V-I-\(0\)](#) [3FD-V-I-B](#) [3MD-H-I-B](#) [3MD-V-I](#) [3MD-V-I-B](#) [TA01](#) [TA3MWX](#) [TA5MLWX](#) [MINICCF8](#)
[TRASM4M1X](#) [TRASM7M1X](#)