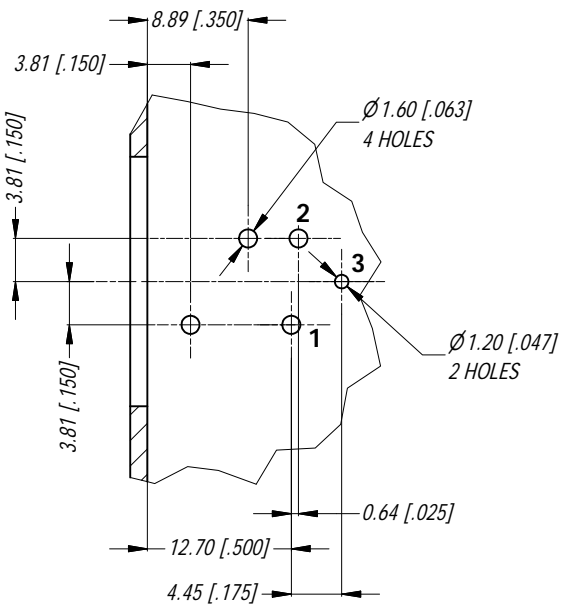
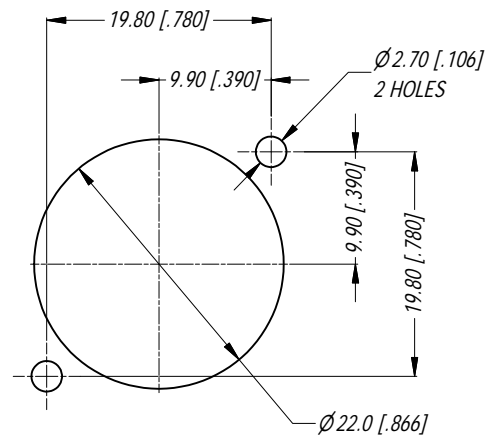


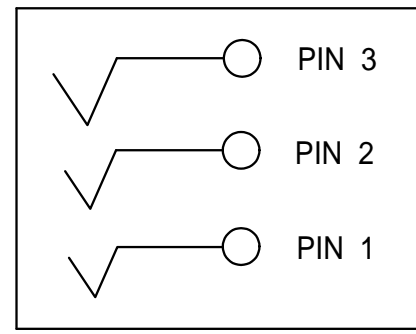
MIN MOUNTING PITCH (1:1)



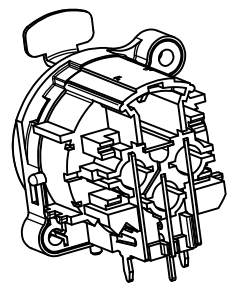
PCB LAYOUT
TOLERANCE : ±0.05 [0.002 in]
NOTE: DIMS IN PARENTHESES ARE IN INCHES



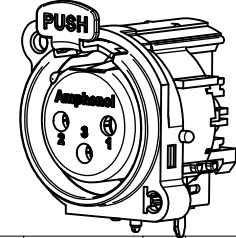
PANEL CUT OUT REAR VIEW



SCHEMATIC CHART



3D VIEW (1:1)



REV	DESCRIPTION	DATE	BY	CHG NO
2	ADD SUFFIX TO PART No.	27/08/15	T.N	9318
1	CHANGE NEW LEVER & SPRING	18/12/08	A.O	8793
0	FIRST ISSUE	18/04/07	T.N	8686

REVISION HISTORY

UNLESS OTHERWISE SPECIFIED TOLERANCE TO BE:		THIS DOCUMENT IS THE PROPERTY OF AMPHENOL AUSTRALIA PTY. LTD. NO PART THEREOF MAY BE REPRODUCED AND USED WITHOUT THE PRIOR WRITTEN CONSENT OF THE OWNER			
LINER	ANGULAR	CAD FILE:	DRN:	DATE:	
X ±	X' ± 1	55010468000221	T.N	17/04/07	
X.X ±	X.X' ± 30°	MATL:	P.M	DATE:	
X.XX ±	X.XX' ± 15°	REFER TO COMPONENTS	P.M	07/04/09	
BREAK ALL SHARP EDGES AND REMOVE ALL BURRS		FINISH:	P.M	DATE:	
DO NOT SCALE		REFER TO COMPONENTS	P.M	07/04/09	
DIMENSIONS IN MILLIMETRES		SCALE:	3:2	PART No:	AC3FBH-AU-B
THIRD ANGLE PROJECTION		SIZE:	A4	DRAWING NO. 55010468-000-2	

TITLE: **XLR FEMALE B TYPE CONNECTOR CUSTOMER DWG**

Amphenol
Amphenol Australia Pty.Ltd. 2 Fiveways Blvd, Keysborough, Vic3173

DRAWING NO. **55010468-000-2** SHEET **2/2**

NOTE: SUFFIX "B" IN THE PART No. INDICATES BULK PACK.

X-ON Electronics

Largest Supplier of Electrical and Electronic Components

Click to view similar products for [XLR Connectors](#) category:

Click to view products by [Amphenol](#) manufacturer:

Other Similar products are found below :

[707-0300](#) [8800235](#) [91101181024](#) [PPCB-H](#) [A3F01](#) [A3M01](#) [QGP3F](#) [HA16PRQ-3SE\(71\)](#) [AA3FL](#) [AAA4FWZ](#) [AAA4MWZ](#) [AC3-MIC](#) [AC4-MIC](#) [AC5FPZB](#) [AC6AFDZV](#) [D4FB](#) [DE4MW](#) [DHNFBAG](#) [E3MBAUSW](#) [NA2FP-UW](#) [NA3MP-UW](#) [NC3FBHR1-0](#) [NC3FD-H-0](#) [NC3FK-V](#) [NC3FXY-B](#) [NC3MK-V](#) [NC3MXY](#) [NC5FX-HD-B](#) [NC6MSX-BAG](#) [91210071096](#) [SL05](#) [99.265.0400.0](#) [A3F04](#) [AC3FG](#) [AC4-FCP](#) [AC4FPZ](#) [AQG4F](#) [2504FP](#) [30-498-2](#) [R6MZ](#) [3FD-H-I](#) [3FD-H-I-\(0\)](#) [3FD-H-I-B](#) [3FD-V-I](#) [3FD-V-I-\(0\)](#) [3FD-V-I-B](#) [3MD-H-I-B](#) [3MD-V-I](#) [3MD-V-I-B](#) [TA01](#)