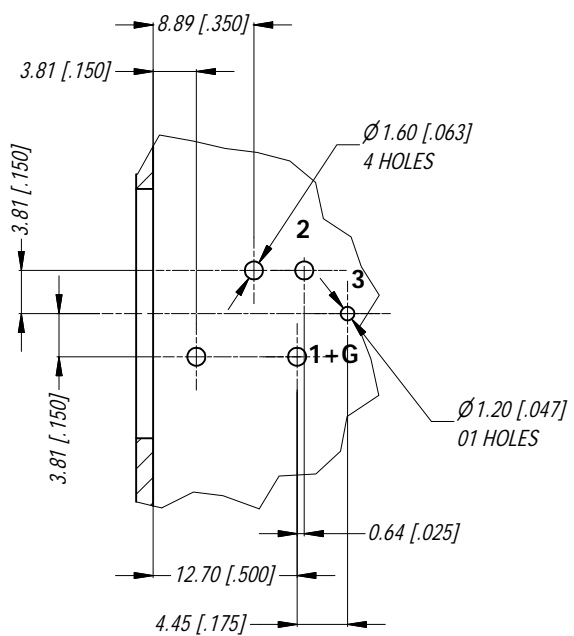


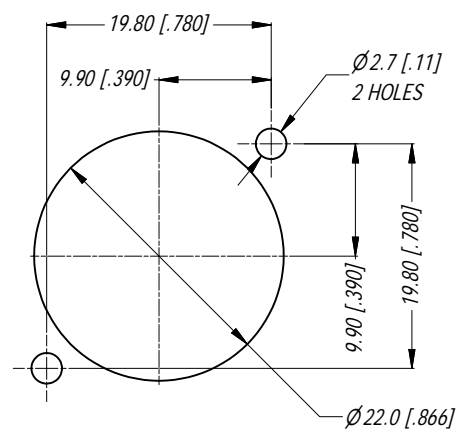
MIN MOUNTING PITCH (1:1)



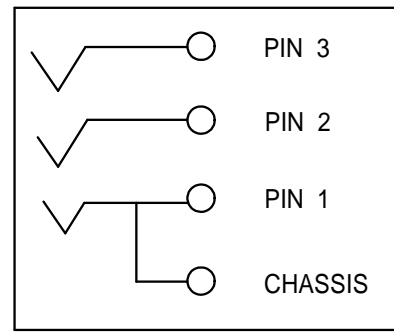
PCB LAYOUT  
LAYOUT TOLERANCE : ±0.05 [0.002 in]

NOTE: DIMENSIONS IN PARENTHESES ARE IN INCHES.

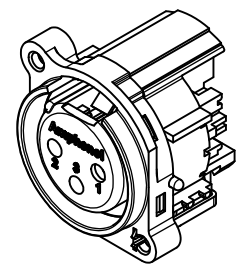
NOTE: SUFFIX "B" IN THE PART No. INDICATES BULK PACK.



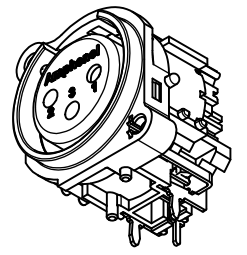
PANEL CUT OUT  
REAR VIEW



SCHEMATIC CHART



3D VIEW (1:1)



UNLESS OTHERWISE SPECIFIED TOLERANCE TO BE:		THIS DOCUMENT IS THE PROPERTY OF AMPHENOL AUSTRALIA PTY. LTD. NO PART THEREOF MAY BE REPRODUCED AND USED WITHOUT THE PRIOR WRITTEN CONSENT OF THE OWNER			
LINEAR	ANGULAR	CAD FILE:	DRN:	DATE:	
X ±	X' ± 1	55010492000221	T.N	17/04/07	
X.X ±	X.X' ± 30°	MATL: REFER TO COMPONENTS	CKD: P.M	DATE: 07/04/09	
X.XX ±	X.X'X' ± 15°	DO NOT SCALE	APP'D: P.M	DATE: 07/04/09	
BREAK ALL SHARP EDGES AND REMOVE ALL BURRS		FINISH: REFER TO COMPONENTS	SCALE: 3:2	PART No: AC3FBHL3-AU-B	
DIMENSIONS IN MILLIMETRES		THIRD ANGLE PROJECTION		SIZE: A4	

REV	DESCRIPTION	DATE	BY	CHG NO
2	ADD SUFFIX B TO PART No.	28/07/15	T.N	9318
1	UPDATE FEMALE SHELL	2/4/2009	A.O	8793
0	FIRST ISSUE	18/09/07	T.N	8686

TITLE:		<b>Amphenol</b>	
<b>XLR FEMALE B TYPE CONNECTOR</b>		Amphenol Australia Pty.Ltd. 2 Fiveways Blvd. Keysborough, Vic3173	
<b>CUSTOMER DWG</b>		DRAWING NO.	SHEET
		55010492-000-2	2/2

## X-ON Electronics

Largest Supplier of Electrical and Electronic Components

*Click to view similar products for [XLR Connectors](#) category:*

*Click to view products by [Amphenol](#) manufacturer:*

Other Similar products are found below :

[707-0300](#) [8800235](#) [91101181024](#) [PPCB-H](#) [A3F01](#) [A3M01](#) [QGP3F](#) [HA16PRQ-3SE\(71\)](#) [AA3FL](#) [AAA4FWZ](#) [AAA4MWZ](#) [AC3-MIC](#) [AC4-MIC](#) [AC5FPZB](#) [AC6AFDZV](#) [D4FB](#) [DE4MW](#) [DHNFBAG](#) [E3MBAUSW](#) [NA2FP-UW](#) [NA3MP-UW](#) [NC3FBHR1-0](#) [NC3FD-H-0](#) [NC3FK-V](#) [NC3FXY-B](#) [NC3MK-V](#) [NC3MXY](#) [NC5FX-HD-B](#) [NC6MSX-BAG](#) [91210071096](#) [SL05](#) [99.265.0400.0](#) [A3F04](#) [AC3FG](#) [AC4-FCP](#) [AC4FPZ](#) [AQG4F](#) [2504FP](#) [30-498-2](#) [R6MZ](#) [3FD-H-I](#) [3FD-H-I-\(0\)](#) [3FD-H-I-B](#) [3FD-V-I](#) [3FD-V-I-\(0\)](#) [3FD-V-I-B](#) [3MD-H-I-B](#) [3MD-V-I](#) [3MD-V-I-B](#) [TA01](#)