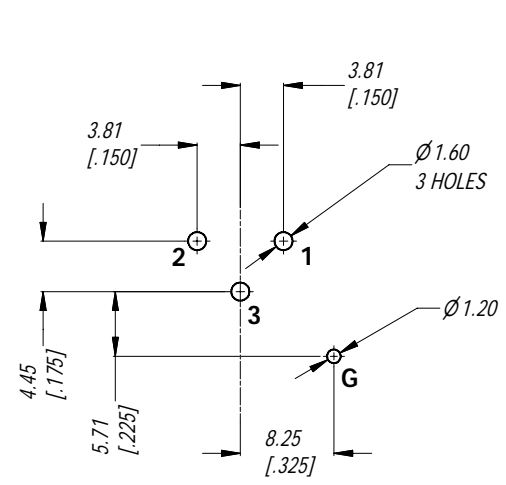
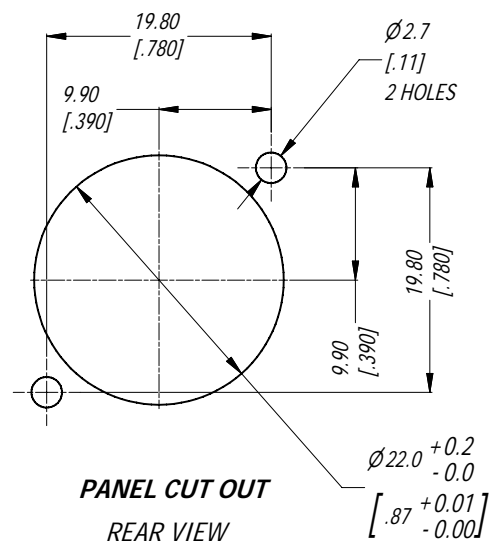


MIN MOUNTING PITCH

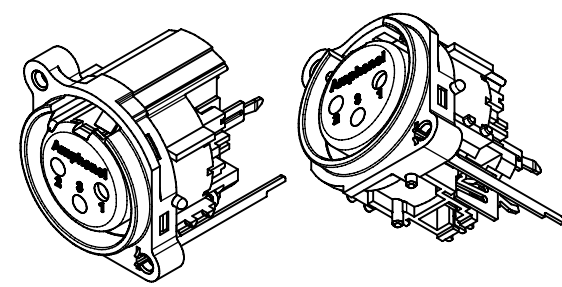


PCB LAYOUT

LAYOUT TOLERANCE : ± 0.05 [0.002 in]



PANEL CUT OUT
REAR VIEW



3D VIEW (1:1)

NOTE: DIMENSIONS IN PARENTHESES ARE IN INCHES.

UNLESS OTHERWISE SPECIFIED TOLERANCE TO BE:		THIS DOCUMENT IS THE PROPERTY OF AMPHENOL AUSTRALIA PTY. LTD. NO PART THEREOF MAY BE REPRODUCED AND USED WITHOUT THE PRIOR WRITTEN CONSENT OF THE OWNER			0 FIRST ISSUE 18/04/07 T.N 8686	
LINEAR		CAD FILE: 55010497000210		DRN: T.N	DATE: 17/04/07	REVISION HISTORY
ANGULAR		MATERIAL:		CKD: P.M	DATE: 05/09/07	
X ±	X' ± 1	DO NOT SCALE FINISH:		APP'D: P.M	DATE: 05/09/07	TITLE: XLR FEMALE B TYPE CONNECTOR CUSTOMER DWG
X.X ±	X.X' ± 30°	DIMENSIONS IN MILLIMETRES		SCALE: 3:2	PART No: AC3FBVL2-AU	
X.XX ±	X.X.X' ± 15°	THIRD ANGLE PROJECTION		SIZE: A4	Amphenol Australia Pty.Ltd. 2 Fiveways Blvd, Keysborough, Vic3173	

X-ON Electronics

Largest Supplier of Electrical and Electronic Components

Click to view similar products for [XLR Connectors](#) category:

Click to view products by [Amphenol](#) manufacturer:

Other Similar products are found below :

[707-0300](#) [PPCB-H](#) [A3F01](#) [A3M01](#) [QGP3F](#) [HA16PRQ-3SE\(71\)](#) [AA3FL](#) [AAA4FWZ](#) [AAA4MWZ](#) [AC3-MIC](#) [AC4-MIC](#) [AC5FPZB](#)
[AC6AFDZV](#) [D4FB](#) [DE4MW](#) [DHNF-BAG](#) [E3MBAUSW](#) [NA2FP-UW](#) [NA3MP-UW](#) [NC3FBHR1-0](#) [NC3FD-H-0](#) [NC3FK-V](#) [NC3FXY-B](#)
[NC3MK-V](#) [NC3MXY](#) [NC5FX-HD-B](#) [NC6MSX-BAG](#) [91210071096](#) [SL05](#) [99.265.0400.0](#) [A3F04](#) [AC3FG](#) [AC4-FCP](#) [AC4FPZ](#) [AQG4F](#)
[2504FP](#) [30-498-2](#) [R6MZ](#) [3FD-H-I](#) [3FD-H-I-\(0\)](#) [3FD-H-I-B](#) [3FD-V-I](#) [3FD-V-I-\(0\)](#) [3FD-V-I-B](#) [3MD-H-I-B](#) [3MD-V-I](#) [3MD-V-I-B](#) [TA01](#)
[TA3MWX](#) [TA5MLWX](#)