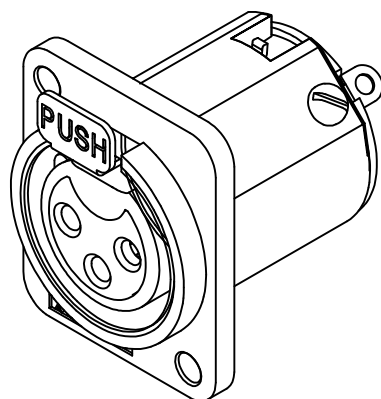


PANEL CUT OUT



ISO VIEW

AC*FDZ	INSERT No.
AC3FDZ	156-4065-*00
AC4FDZ	156-4073-*00
AC5FDZ	156-4074-*00
AC6AFDZ	156-4075-*00
AC7FDZ	156-4076-*00

UNLESS OTHERWISE SPECIFIED TOLERANCE TO BE		THIS DOCUMENT IS THE PROPERTY OF AMPHENOL AUSTRALIA PTY. LTD.. NO PART THEREOF MAY BE REPRODUCED AND USED WITHOUT THE PRIOR WRITTEN CONSENT OF THE OWNER				2	UPDATE TO AMPHENOL LOGO ADD SHEET 2 OF 2 FOR CUSTOMER DRAWING	M.N.H.	27-06-00	7473
LINEAR		ANGULAR		CAD FILE: 00821102	DRN: D.v.E.	DATE: 21-09-95	TITLE:			
X ± 0.50	X' ± 1'	BREAK ALL SHARP EDGES AND REMOVE ALL BURRS		MATL: REFER TO COMPONENT	CKD: M.N.H	DATE: 28-06-02	AC*FDZ PANEL MOUNT CUSTOMER DRAWING			
X,X ± 0.10	X,X' ± 30'	DO NOT SCALE		FINISH: REFER TO COMPONENT	APP'D: P.M	DATE: 28-06-02	Amphenol Amphenol Australia Pty.Ltd, 2 Fineways Blvd, Keysborough, Vic.3173			
X,XX ± 0.05	X,X,X' ± 15'	DIMENSIONS IN MILLIMETRES		THIRD ANGLE PROJECTION	SCALE: 2:1 UOS	PART No: 128461-0000	SIZE: A3	DRAWING NO. 128461-0000		SHEET 2 OF 2

REV.	CHANGE DETAILS	BY	DATE	CHG/No
0	FIRST ISSUE	D.v.E.	21-09-1995	----

X-ON Electronics

Largest Supplier of Electrical and Electronic Components

Click to view similar products for [XLR Connectors](#) category:

Click to view products by [Amphenol](#) manufacturer:

Other Similar products are found below :

[707-0300](#) [8800235](#) [91101181024](#) [PPCB-H](#) [A3F01](#) [A3M01](#) [QGP3F](#) [HA16PRQ-3SE\(71\)](#) [AA3FL](#) [AAA4FWZ](#) [AAA4MWZ](#) [AC3-MIC](#) [AC4-MIC](#) [AC5FPZB](#) [AC6AFDZV](#) [D4FB](#) [DE4MW](#) [DHNFBAG](#) [E3MBAUSW](#) [NA2FP-UW](#) [NA3MP-UW](#) [NC3FBHR1-0](#) [NC3FD-H-0](#) [NC3FK-V](#) [NC3FXY-B](#) [NC3MK-V](#) [NC3MXY](#) [NC5FX-HD-B](#) [NC6MSX-BAG](#) [91210071096](#) [SL05](#) [99.265.0400.0](#) [A3F04](#) [AC3FG](#) [AC4-FCP](#) [AC4FPZ](#) [AQG4F](#) [2504FP](#) [30-498-2](#) [R6MZ](#) [3FD-H-I](#) [3FD-H-I-\(0\)](#) [3FD-H-I-B](#) [3FD-V-I](#) [3FD-V-I-\(0\)](#) [3FD-V-I-B](#) [3MD-H-I-B](#) [3MD-V-I](#) [3MD-V-I-B](#) [TA01](#)