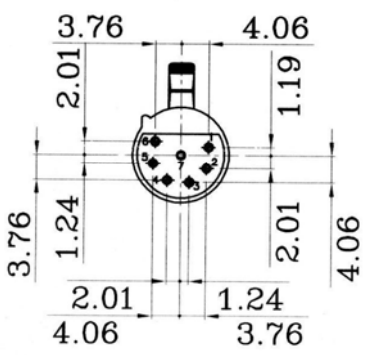
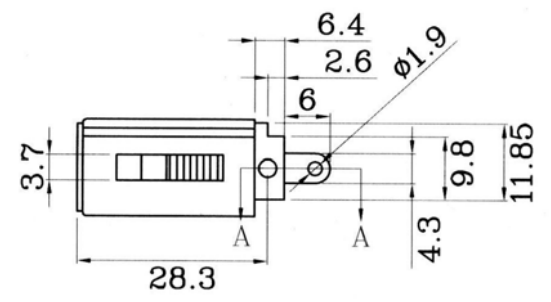


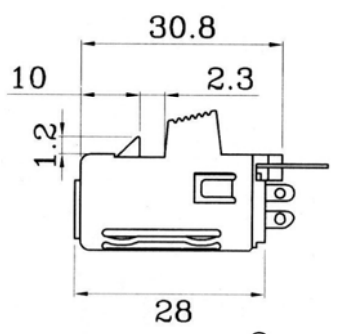
AC6-FIC



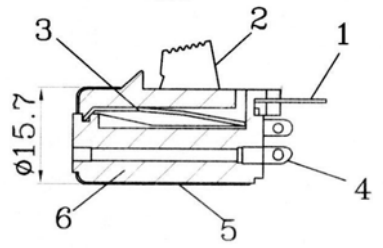
AC7-FIC



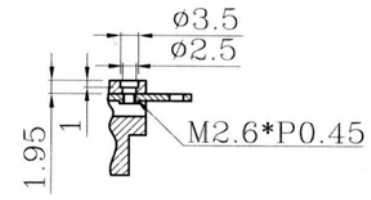
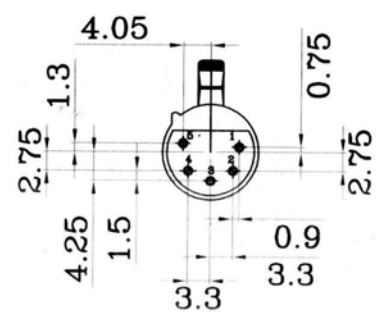
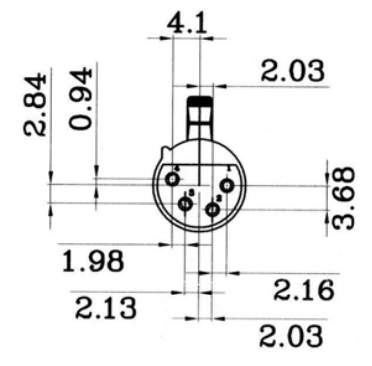
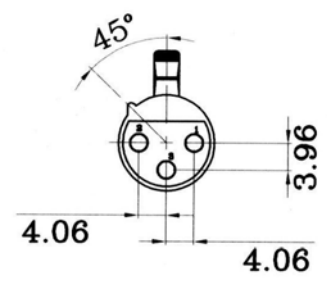
AC3-FIC



AC4-FIC



AC5-FIC



CAT P/N	CONTACT FINISH
AC3-FIC	NICKEL PLATED-3 SOCKET
AC4-FIC	NICKEL PLATED-4 SOCKET
AC5-FIC	NICKEL PLATED-5 SOCKET
AC6-FIC	NICKEL PLATED-6 SOCKET
AC7-FIC	NICKEL PLATED-7 SOCKET

ITEM	MATERIAL & FINISH
1	BRASS - NICKEL PLATED
2	ZINC - NICKEL PLATED
3	SUS 301
4	BRASS - NICKEL PLATED
5	BRASS - NICKEL PLATED
6	BRASS - NICKEL PLATED

UNLESS OTHERWISE SPECIFIED TOLERANCE TO BE		THIS DOCUMENT IS THE PROPERTY OF AMPHENOL AUSTRALIA PTY. LTD.. NO PART THEREOF MAY BE REPRODUCED AND USED WITHOUT THE PRIOR WRITTEN CONSENT OF THE OWNER		0	FIRST ISSUE	M.H	17-02-09	----
LINEAR	ANGULAR	CAD FILE: 51560073131120		REV.	CHANGE DETAILS	BY	DATE	CHG/No
X ± 0.5	X° ± 1°	MATL: REFER TO LIST	DRN: M.H	DATE: 17-02-09		TITLE: MIC INSERT ASSEMBLY CUSTOMER DRAWING		
X,X ± 0.1	X°X' ± 30'	FINISH: REFER TO COMPONENT	CKD: M.H	DATE: 17-02-09		DRAWING NO. 51560073-131-2		
X,XX ± 0.05	X°X'X" ± 15"	DO NOT SCALE	APP'D: M.H	DATE: 17-02-09		SHEET 2 OF 2		
DIMENSIONS IN MILLIMETRES		THIRD ANGLE PROJECTION		SCALE: 3:1 UOS	PART No: SEE TABLE	SIZE: A3	Amphenol Australia Pty Ltd, 2 Fireways Blvd, Keilor Park, Vic 3173	

X-ON Electronics

Largest Supplier of Electrical and Electronic Components

Click to view similar products for [XLR Connectors](#) category:

Click to view products by [Amphenol](#) manufacturer:

Other Similar products are found below :

[707-0300](#) [PPCB-H](#) [A3F01](#) [A3M01](#) [QGP3F](#) [AA3FL](#) [AAA4FWZ](#) [AAA4MWZ](#) [AC3-MIC](#) [AC4-MIC](#) [AC5FPZB](#) [AC6AFDZV](#) [D4FB](#)
[DE4MW](#) [DHNF-BAG](#) [E3MBAUSW](#) [NA3MP-UW](#) [NC3FBHR1-0](#) [NC3FD-H-0](#) [NC3FK-V](#) [NC3FXY-B](#) [NC3MK-V](#) [NC3MXY](#) [NC5FX-](#)
[HD-B](#) [NC6MSX-BAG](#) [SL05](#) [99.265.0400.0](#) [A3F04](#) [AC3FG](#) [AC4-FCP](#) [AC4FPZ](#) [AQG4F](#) [2504FP](#) [30-498-2](#) [R6MZ](#) [3FD-H-I](#) [3FD-H-I-\(0\)](#)
[3FD-H-I-B](#) [3FD-V-I](#) [3FD-V-I-\(0\)](#) [3FD-V-I-B](#) [3MD-H-I-B](#) [3MD-V-I](#) [3MD-V-I-B](#) [TA01](#) [TA3MWX](#) [TA5MLWX](#) [MINICCF8](#)
[TRASM4M1X](#) [TRASM7M1X](#)