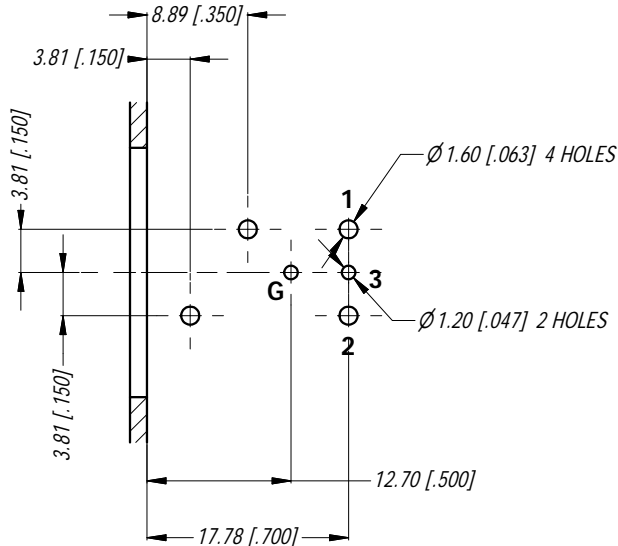


MIN MOUNTING PITCH (1:1)

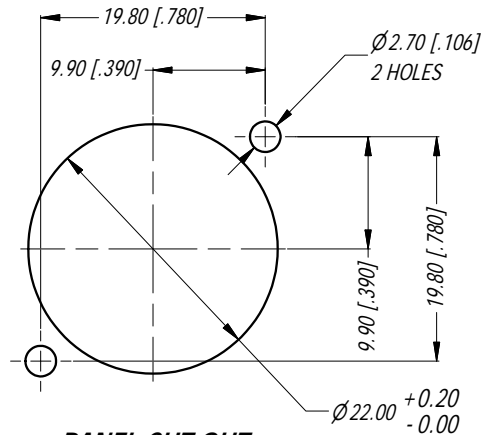


PCB LAYOUT

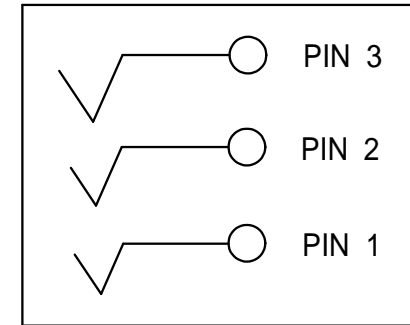
TOLERANCE: ± 0.05 [± 0.002]

NOTE: DIMENSIONS IN PARENTHESES ARE IN INCHES.

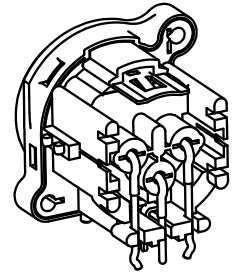
NOTE: SUFFIX "B" IN THE PART No. INDICATES BULK PACK



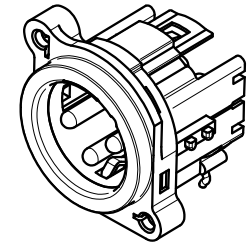
PANEL CUT OUT
REAR VIEW



SCHEMATIC CHART



3D VIEW (1:1)



UNLESS OTHERWISE SPECIFIED TOLERANCE TO BE:		THIS DOCUMENT IS THE PROPERTY OF AMPHENOL AUSTRALIA PTY. LTD. NO PART THEREOF MAY BE REPRODUCED AND USED WITHOUT THE PRIOR WRITTEN CONSENT OF THE OWNER																							
LINEAR	ANGULAR	CAD FILE: 55010515000211	DRN: T.N	DATE: 29/11/07	<table border="1"> <tr> <th>REV</th> <th>DESCRIPTION</th> <th>DATE</th> <th>BY</th> <th>CHG No</th> </tr> <tr> <td>2</td> <td>ADD SUFFIX B TO PART No.</td> <td>27/08/15</td> <td>T.N</td> <td>9318</td> </tr> <tr> <td>1</td> <td>ADD SCHEMATIC CHART</td> <td>06/26/09</td> <td>A.O</td> <td>8793</td> </tr> <tr> <td>0</td> <td>FIRST ISSUE</td> <td>29/11/07</td> <td>T.N</td> <td>----</td> </tr> </table>	REV	DESCRIPTION	DATE	BY	CHG No	2	ADD SUFFIX B TO PART No.	27/08/15	T.N	9318	1	ADD SCHEMATIC CHART	06/26/09	A.O	8793	0	FIRST ISSUE	29/11/07	T.N	----
REV	DESCRIPTION	DATE	BY	CHG No																					
2	ADD SUFFIX B TO PART No.	27/08/15	T.N	9318																					
1	ADD SCHEMATIC CHART	06/26/09	A.O	8793																					
0	FIRST ISSUE	29/11/07	T.N	----																					
X ±0.5 X.X ±0.1 X.XX ±0.05	X° ±1 X.X° ±30 X.XX° ±15	MATL: REFER TO COMPONENTS	CKD: M.N.H	DATE: 06/26/09																					
BREAK ALL SHARP EDGES AND REMOVE ALL BURRS		FINISH: REFER TO COMPONENTS	APP'D: P.M	DATE: 06/26/09																					
DIMENSIONS IN MILLIMETRES		SCALE: 1.5:1	PART No: AC3MBHL-AU-B	SIZE: A4																					

2	ADD SUFFIX B TO PART No.	27/08/15	T.N	9318
1	ADD SCHEMATIC CHART	06/26/09	A.O	8793
0	FIRST ISSUE	29/11/07	T.N	----
REV	DESCRIPTION	DATE	BY	CHG No

TITLE:		Amphenol	
XLR MALE B TYPE CONNECTOR		Amphenol Australia Pty.Ltd. 2 Fiveways Blvd. Keysborough, Vic3173	
CUSTOMER DWG		DRAWING NO.	SHEET
		55010515-000-2	2/2

X-ON Electronics

Largest Supplier of Electrical and Electronic Components

Click to view similar products for [XLR Connectors](#) category:

Click to view products by [Amphenol](#) manufacturer:

Other Similar products are found below :

[707-0300](#) [8800235](#) [91101181024](#) [PPCB-H](#) [A3F01](#) [A3M01](#) [QGP3F](#) [HA16PRQ-3SE\(71\)](#) [AA3FL](#) [AAA4FWZ](#) [AAA4MWZ](#) [AC3-MIC](#) [AC4-MIC](#) [AC5FPZB](#) [AC6AFDZV](#) [D4FB](#) [DE4MW](#) [DHNFBAG](#) [E3MBAUSW](#) [NA2FP-UW](#) [NA3MP-UW](#) [NC3FBHR1-0](#) [NC3FD-H-0](#) [NC3FK-V](#) [NC3FXY-B](#) [NC3MK-V](#) [NC3MXY](#) [NC5FX-HD-B](#) [NC6MSX-BAG](#) [91210071096](#) [SL05](#) [99.265.0400.0](#) [A3F04](#) [AC3FG](#) [AC4-FCP](#) [AC4FPZ](#) [AQG4F](#) [2504FP](#) [30-498-2](#) [R6MZ](#) [3FD-H-I](#) [3FD-H-I-\(0\)](#) [3FD-H-I-B](#) [3FD-V-I](#) [3FD-V-I-\(0\)](#) [3FD-V-I-B](#) [3MD-H-I-B](#) [3MD-V-I](#) [3MD-V-I-B](#) [TA01](#)