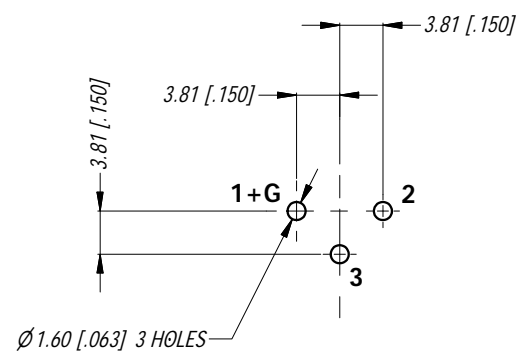


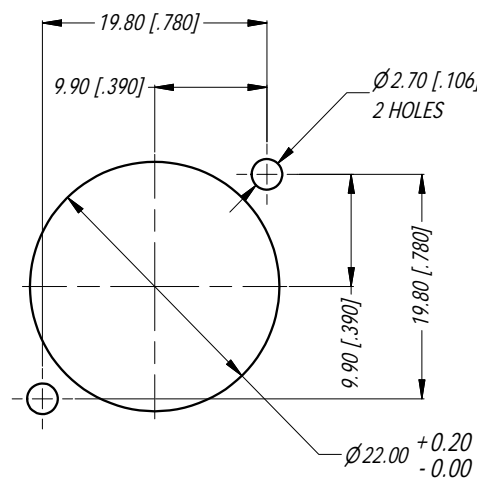
MIN MOUNTING PITCH (1:1)



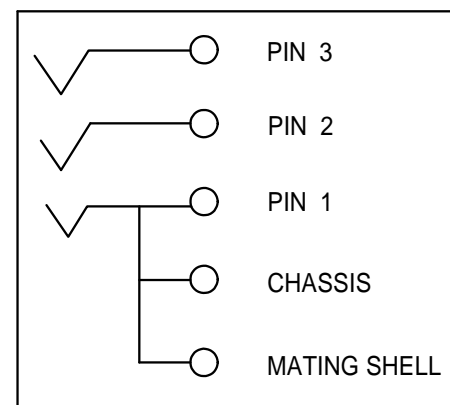
**PCB LAYOUT**

TOLERANCE:  $\pm 0.05$  [ $\pm .002$ ]

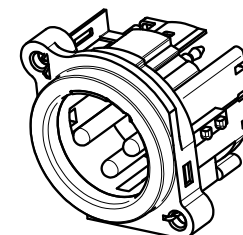
NOTES: DIMENSIONS IN PARENTHESES ARE IN INCHES.



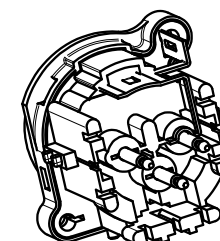
**PANEL CUT OUT**  
REAR VIEW



**SCHEMATIC CHART**



**3D VIEW (1:1)**



| REV | DESCRIPTION              | DATE     | BY  | CHG No |
|-----|--------------------------|----------|-----|--------|
| 2   | ADD SUFFIX B TO PART No. | 27/08/15 | T.N | 9318   |
| 1   | ADD SCHEMATIC CHART      | 06/26/09 | A.O | 8793   |
| 0   | FIRST ISSUE              | 03/09/07 | T.N | 8686   |

REVISION HISTORY

|   |            |   |                     |           |  |
|---|------------|---|---------------------|-----------|--|
| UNLESS OTHERWISE SPECIFIED TOLERANCE TO BE: |            | THIS DOCUMENT IS THE PROPERTY OF AMPHENOL AUSTRALIA PTY. LTD. NO PART THEREOF MAY BE REPRODUCED AND USED WITHOUT THE PRIOR WRITTEN CONSENT OF THE OWNER |                     |           |  |
| LINER                                       | ANGULAR    | CAD FILE:   | DRN:                | DATE:     |  |
| X ±0.5                                      | X° ±1      | <b>55010483000211</b>   | T.N                 | 04/09/07  |  |
| X.X ±0.1                                    | X.X° ±30°  | MATL:   | P.N                 | DATE:     |  |
| X.XX ±0.05                                  | X.XX° ±15° | <b>REFER TO COMPONENTS</b>  |                     | 06/26/09  |  |
| BREAK ALL SHARP EDGES AND REMOVE ALL BURRS  |            | FINISH:   | APP'D:              | DATE:     |  |
| DO NOT SCALE                                |            | <b>REFER TO COMPONENTS</b>  | P.M                 | 06/26/09  |  |
| DIMENSIONS IN MILLIMETRES                   |            | SCALE:  | PART No:            | SIZE:     |  |
|   |            | <b>1.5:1</b>  | <b>AC3MBV1-AU-B</b> | <b>A4</b> |  |

|                                  |  |   |            |
|----------------------------------|--|---|------------|
| TITLE:                           |  | <b>Amphenol</b>   |            |
| <b>XLR MALE B TYPE CONNECTOR</b> |  | Amphenol Australia Pty.Ltd. 2 Fiveways Blvd. Keysborough, Vic3173 |            |
| <b>CUSTOMER DWG</b>              |  | DRAWING NO.   | SHEET      |
|                                  |  | <b>55010483-000-2</b>   | <b>2/2</b> |

NOTE: SUFFIX "B" IN THE PART No. INDICATES BULK PACK

## X-ON Electronics

Largest Supplier of Electrical and Electronic Components

*Click to view similar products for [XLR Connectors](#) category:*

*Click to view products by [Amphenol](#) manufacturer:*

Other Similar products are found below :

[707-0300](#) [8800235](#) [91101181024](#) [PPCB-H](#) [A3F01](#) [A3M01](#) [QGP3F](#) [HA16PRQ-3SE\(71\)](#) [AA3FL](#) [AAA4FWZ](#) [AAA4MWZ](#) [AC3-MIC](#) [AC4-MIC](#) [AC5FPZB](#) [AC6AFDZV](#) [D4FB](#) [DE4MW](#) [DHNFBAG](#) [E3MBAUSW](#) [NA2FP-UW](#) [NA3MP-UW](#) [NC3FBHR1-0](#) [NC3FD-H-0](#) [NC3FK-V](#) [NC3FXY-B](#) [NC3MK-V](#) [NC3MXY](#) [NC5FX-HD-B](#) [NC6MSX-BAG](#) [91210071096](#) [SL05](#) [99.265.0400.0](#) [A3F04](#) [AC3FG](#) [AC4-FCP](#) [AC4FPZ](#) [AQG4F](#) [2504FP](#) [30-498-2](#) [R6MZ](#) [3FD-H-I](#) [3FD-H-I-\(0\)](#) [3FD-H-I-B](#) [3FD-V-I](#) [3FD-V-I-\(0\)](#) [3FD-V-I-B](#) [3MD-H-I-B](#) [3MD-V-I](#) [3MD-V-I-B](#) [TA01](#)