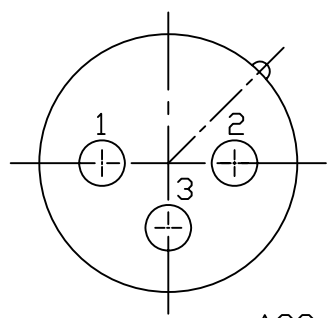
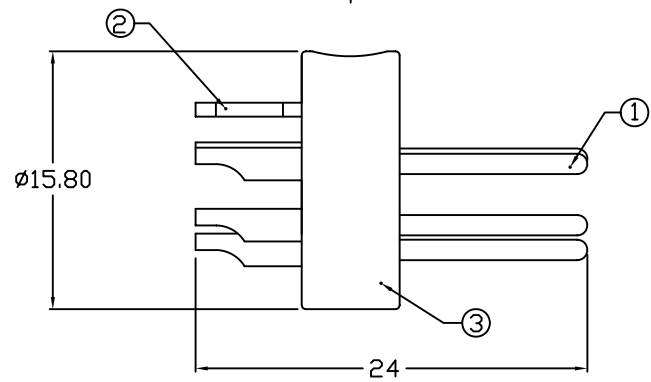
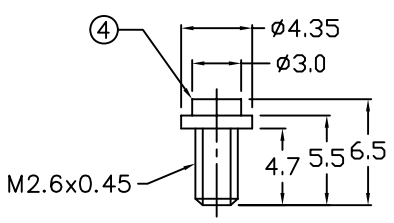
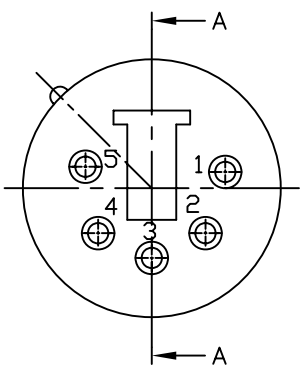
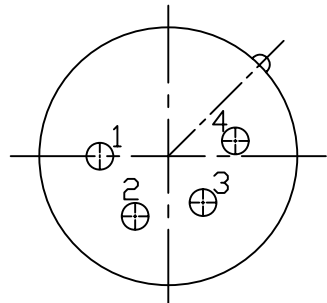




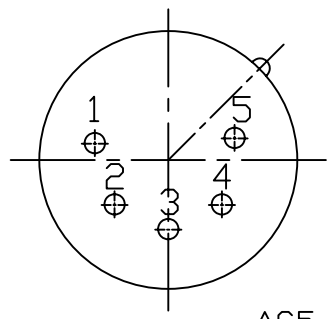
1 2 3 4 5 6



AC3-MIC



AC4-MIC



AC5-MIC

CAT P/N	ENG P/N	CONTACT FINISH
AC3-MIC	51560072-131	NICKEL PLATED - 3 PIN
AC4-MIC	51560072-132	NICKEL PLATED - 4 PIN
AC5-MIC	51560072-133	NICKEL PLATED - 5 PIN
AC3-MIC-AU	51560072-134	GOLD PLATED - 3 PIN
AC4-MIC-AU	51560072-135	GOLD PLATED - 4 PIN
AC5-MIC-AU	51560072-136	GOLD PLATED - 5 PIN

NOTE:  
1. SCREW TO BE SUPPLY WITH THE INSERT ASSEMBLY

SECTION A-A

ITEM	MATERIAL & FINISH
1	BRONZE - NICKEL & GOLD PLATED
2	BRONZE - NICKEL PLATED
3	PBT - BLACK
4	M2.6 x 0.45 FLAT 6.5mm LONG

UNLESS OTHERWISE SPECIFIED TOLERANCE TO BE		THIS DOCUMENT IS THE PROPERTY OF AMPHENOL AUSTRALIA PTY. LTD.. NO PART THEREOF MAY BE REPRODUCED AND USED WITHOUT THE PRIOR WRITTEN CONSENT OF THE OWNER		0	FIRST ISSUE	M.H	25-06-08	----
LINEAR	ANGULAR	CAD FILE: 51560072131120		REV.	CHANGE DETAILS	BY	DATE	CHG/No
X ± 0.5	X° ± 1°	MATL: REFER TO LIST	DRN: M.H	DATE: 25-06-08	MIC INSERT ASSEMBLY CUSTOMER DRAWING		<b>Amphenol</b> <small>Amphenol Australia Pty Ltd, 2 Fireways Blvd, Keysborough, Vc3173</small> DRAWING NO. 51560072-131-2 SHEET 2 OF 2	
X.X ± 0.1	X°X' ± 30'	FINISH: REFER TO COMPONENT	CKD: M.H	DATE: 25-06-08				
X.XX ± 0.05	X°X'X" ± 15"	DO NOT SCALE	APP'D: M.H	DATE: 25-06-08	SCALE: 3:1 UOS		PART No: SEE TABLE	
DIMENSIONS IN MILLIMETRES		THIRD ANGLE PROJECTION		SIZE: A3				

1 2 3 4 5 6

## X-ON Electronics

Largest Supplier of Electrical and Electronic Components

*Click to view similar products for [XLR Connectors](#) category:*

*Click to view products by [Amphenol](#) manufacturer:*

Other Similar products are found below :

[707-0300](#) [8800235](#) [91101181024](#) [PPCB-H](#) [A3F01](#) [A3M01](#) [QGP3F](#) [HA16PRQ-3SE\(71\)](#) [AA3FL](#) [AAA4FWZ](#) [AAA4MWZ](#) [AC3-MIC](#) [AC4-MIC](#) [AC5FPZB](#) [AC6AFDZV](#) [D4FB](#) [DE4MW](#) [DHNFBAG](#) [E3MBAUSW](#) [NA2FP-UW](#) [NA3MP-UW](#) [NC3FBHR1-0](#) [NC3FD-H-0](#) [NC3FK-V](#) [NC3FXY-B](#) [NC3MK-V](#) [NC3MXY](#) [NC5FX-HD-B](#) [NC6MSX-BAG](#) [91210071096](#) [SL05](#) [99.265.0400.0](#) [A3F04](#) [AC3FG](#) [AC4-FCP](#) [AC4FPZ](#) [AQG4F](#) [2504FP](#) [30-498-2](#) [R6MZ](#) [3FD-H-I](#) [3FD-H-I-\(0\)](#) [3FD-H-I-B](#) [3FD-V-I](#) [3FD-V-I-\(0\)](#) [3FD-V-I-B](#) [3MD-H-I-B](#) [3MD-V-I](#) [3MD-V-I-B](#) [TA01](#)