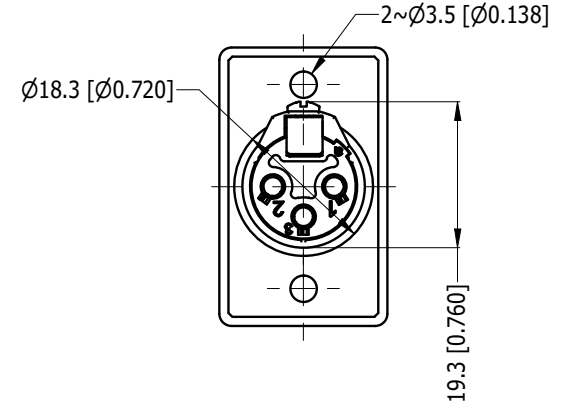
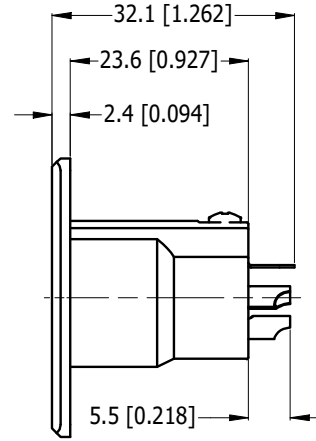
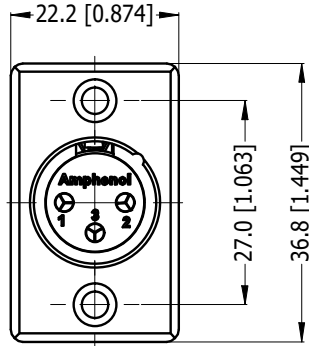
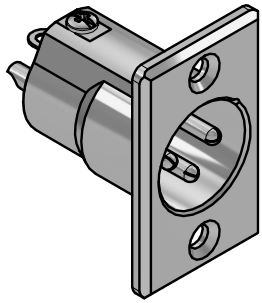


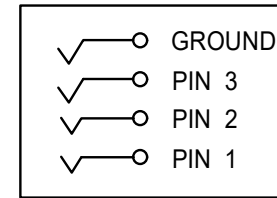
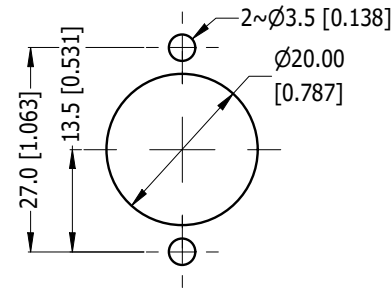
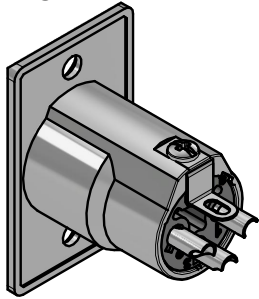
LEGEND  = KEY PRODUCT CHARACTERISTICS

REVISION HISTORY

REV	DESCRIPTION	DATE	BY	ECN
0	FIRST ISSUE	09/06/21	MH	----



3D VIEWS



NOTES: ADD "BULK" TO THE PN FOR BULK PACKING, FOR EXAMPLE - AC3MPNZ BULK

RECOMMENDED PANEL CUT OUT

SCHEMATIC CHART

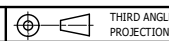
PART NUMBER	SHELL FINISH	STAMPED CONTACT FINISH
AC3MPNZ	NICKEL PLATED	SILVER PLATED
AC3MPNZB	MATT BLACK COATING	SILVER PLATED
AC3MPNZ-AU	NICKEL PLATED	GOLD PLATED
AC3MPNZB-AU	MATT BLACK COATING	GOLD PLATED

UNLESS OTHERWISE SPECIFIED TOLERANCE TO BE	
LINEAR	ANGULAR
X ± 0.5	X' ± 1
X.X ± 0.2	X.X' ± 30'
X.XX ± 0.1	X.XX" ± 15'

THIS DOCUMENT IS THE PROPERTY OF AMPHENOL AUSTRALIA PTY. LTD. NO PART THEREOF MAY BE REPRODUCED AND USED WITHOUT THE PRIOR WRITTEN CONSENT OF THE OWNER			
MATERIAL: SEE COMPONENT	DRN: M.H	DATE: 09/06/21	TITLE: AC3MPNZ PANEL MOUNT CUSTOMER DWG
DO NOT SCALE	CKD: M.H	DATE: 09/06/21	PART No. SEE TABLE
FINISH: SEE TABLE	APP'D: P.M	DATE: 09/06/21	DRAWING No. 55011453-000-1
DIMENSIONS IN MILLIMETRES	SCALE: 1:1	SIZE: A4	SHEET 2/2

Amphenol Amphenol Australia Pty.Ltd,
22 Industry Boulevard, Carrum Downs, VIC 3201

CAD FILE: 55011453000110



X-ON Electronics

Largest Supplier of Electrical and Electronic Components

Click to view similar products for [XLR Connectors](#) category:

Click to view products by [Amphenol](#) manufacturer:

Other Similar products are found below :

[707-0300](#) [8800235](#) [91101181024](#) [PPCB-H](#) [A3F01](#) [A3M01](#) [QGP3F](#) [HA16PRQ-3SE\(71\)](#) [AA3FL](#) [AAA4FWZ](#) [AAA4MWZ](#) [AC3-MIC](#) [AC4-MIC](#) [AC5FPZB](#) [AC6AFDZV](#) [D4FB](#) [DE4MW](#) [DHNFBAG](#) [E3MBAUSW](#) [NA2FP-UW](#) [NA3MP-UW](#) [NC3FBHR1-0](#) [NC3FD-H-0](#) [NC3FK-V](#) [NC3FXY-B](#) [NC3MK-V](#) [NC3MXY](#) [NC5FX-HD-B](#) [NC6MSX-BAG](#) [91210071096](#) [SL05](#) [99.265.0400.0](#) [A3F04](#) [AC3FG](#) [AC4-FCP](#) [AC4FPZ](#) [AQG4F](#) [2504FP](#) [30-498-2](#) [R6MZ](#) [3FD-H-I](#) [3FD-H-I-\(0\)](#) [3FD-H-I-B](#) [3FD-V-I](#) [3FD-V-I-\(0\)](#) [3FD-V-I-B](#) [3MD-H-I-B](#) [3MD-V-I](#) [3MD-V-I-B](#) [TA01](#)