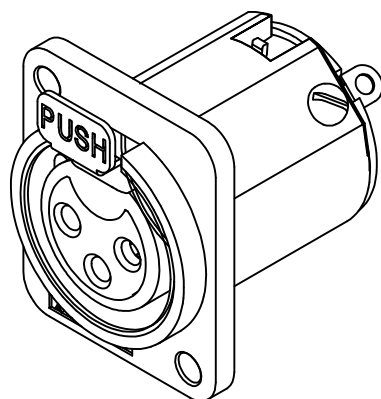


PANEL CUT OUT



ISO VIEW

AC*FDZ	INSERT No.
AC3FDZ	156-4065-*00
AC4FDZ	156-4073-*00
AC5FDZ	156-4074-*00
AC6AFDZ	156-4075-*00
AC7FDZ	156-4076-*00

UNLESS OTHERWISE SPECIFIED TOLERANCE TO BE		THIS DOCUMENT IS THE PROPERTY OF AMPHENOL AUSTRALIA PTY. LTD.. NO PART THEREOF MAY BE REPRODUCED AND USED WITHOUT THE PRIOR WRITTEN CONSENT OF THE OWNER		2	UPDATE TO AMPHENOL LOGO ADD SHEET 2 OF 2 FOR CUSTOMER DRAWING	M.N.H.	27-06-00	7473
LINEAR	ANGULAR			0	FIRST ISSUE	D.v.E.	21-09-1995	----
X ± 0.50	X' ± 1'	CAD FILE: 00821102		REV.	CHANGE DETAILS	BY	DATE	CHG/No
X,X ± 0.10	X,X' ± 30'	DRN:	D.v.E.	DATE:	21-09-95	TITLE:		
X,XX ± 0.05	X,X,X' ± 15'	MATL:	REFER TO COMPONENT	CKD:	M.N.H.	DATE:	28-06-02	AC*FDZ PANEL MOUNT CUSTOMER DRAWING
DO NOT SCALE		FINISH:	REFER TO COMPONENT	APP'D:	P.M.	DATE:	28-06-02	Amphenol
DIMENSIONS IN MILLIMETRES		THIRD ANGLE PROJECTION		SCALE:	2:1 UOS	PART No:	128461-0000	Amphenol Australia Pty.Ltd, 2 Fineways Blvd, Keysborough, Vic.3173
						SIZE:	A3	DRAWING NO. 128461-0000 SHEET 2 OF 2

X-ON Electronics

Largest Supplier of Electrical and Electronic Components

Click to view similar products for [XLR Connectors](#) category:

Click to view products by [Amphenol](#) manufacturer:

Other Similar products are found below :

[AAA4FWZ](#) [AAA4MWZ](#) [AC5FPZB](#) [AC6AFDZV](#) [DE4MW](#) [E3MBAUSW](#) [99.265.0400.0](#) [AC3FG](#) [AC4-FCP](#) [AQG4F](#) [30-498-2](#) [R6MZ](#)
[3FD-V-I-B](#) [3MD-V-I-B](#) [TA01](#) [TA3MWX](#) [TA5MLWX](#) [TRASM4M1X](#) [TRASM7M1X](#) [ML1](#) [3FD-L-I-\(O\)](#) [D6FDB](#) [DB25FTRS](#) [DHNF-](#)
[BAG-MAD](#) [DHNF-BAG-O](#) [DHNM-BAG](#) [E3FBAUSW](#) [E3FSW](#) [E3MSW](#) [SR03](#) [TA4FLWX](#) [TA6FLWX](#) [TRAPC8M1X](#) [TRASM6M1X](#)
[WP2S4P](#) [WP1S1](#) [WP1B2](#) [TA5FLWX](#) [NC3FEZY-P](#) [NC3FG-V](#) [NC6FSD-LX](#) [NC6MSD-LX](#) [NCJ6FK-V](#) [NCXX-PROMO](#) [NA2FPMM/W](#)
[NC3FD-L](#) [NC3FD-L-0-1](#) [NC3FX-1-D](#) [NC3MX-1-D](#) [NC3MXY-B](#)