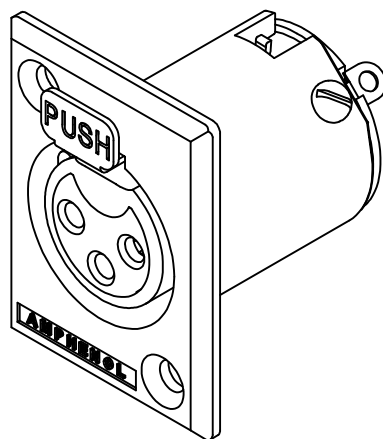


PANEL CUT OUT



ISO VIEW

| AC*FPZ | INSERT No. |
|---------|--------------|
| AC3FPZ | 156-4065-*00 |
| AC4FPZ | 156-4073-*00 |
| AC5FPZ | 156-4074-*00 |
| AC6AFPZ | 156-4075-*00 |
| AC7FPZ | 156-4076-*00 |

| | | | | | | | | | | | |
|--|--------------|--|--|------------------------|--------|----------------|--|-------------|--|------------|-------------|
| UNLESS OTHERWISE SPECIFIED TOLERANCE TO BE | | THIS DOCUMENT IS THE PROPERTY OF AMPHENOL AUSTRALIA PTY. LTD.. NO PART THEREOF MAY BE REPRODUCED AND USED WITHOUT THE PRIOR WRITTEN CONSENT OF THE OWNER | | | | 2 | UPDATE TO AMPHENOL TITLE BLOCK & LOGO ADD SHEET 2 OF 2 FOR CUSTOMER DRAWING | L.V | 02-10-01 | 7871 | |
| LINEAR | ANGULAR | CAD FILE: 00822102 | | DRN: | D.v.E. | DATE: 21-09-95 | FIRST ISSUE | | D.v.E. | 21-09-1995 | ---- |
| X ± 0.50 | X' ± 1' | MATERIAL: REFER TO COMPONENT | | CKD: | M.N.H | DATE: 24-10-01 | CHANGE DETAILS | | BY | DATE | CHG/No |
| X,X ± 0.10 | X'X' ± 30' | FINISH: REFER TO COMPONENT | | APP'D: | P.M | DATE: 29-10-01 | TITLE: | | AC*FPZ PANEL MOUNT CUSTOMER DRAWING | | |
| X,XX ± 0.05 | X'X'X' ± 15' | DO NOT SCALE | | THIRD ANGLE PROJECTION | | SCALE: 2:1 UOS | PART No: | 128462-0000 | | SIZE: A3 | 128462-0000 |
| DIMENSIONS IN MILLIMETRES | | | | | | | DRAWING NO. | | SHEET 2 OF 2 | | |

Amphenol

Amphenol Australia Pty Ltd, 2 Fineways Blvd, Keysborough, Vic 3173

X-ON Electronics

Largest Supplier of Electrical and Electronic Components

Click to view similar products for [XLR Connectors](#) category:

Click to view products by [Amphenol](#) manufacturer:

Other Similar products are found below :

[707-0300](#) [8800235](#) [91101181024](#) [PPCB-H](#) [A3F01](#) [A3M01](#) [QGP3F](#) [HA16PRQ-3SE\(71\)](#) [AA3FL](#) [AAA4FWZ](#) [AAA4MWZ](#) [AC3-MIC](#) [AC4-MIC](#) [AC5FPZB](#) [AC6AFDZV](#) [D4FB](#) [DE4MW](#) [DHNF-BAG](#) [E3MBAUSW](#) [NA2FP-UW](#) [NA3MP-UW](#) [NC3FBHR1-0](#) [NC3FD-H-0](#) [NC3FK-V](#) [NC3FXY-B](#) [NC3MK-V](#) [NC3MXV](#) [NC5FX-HD-B](#) [NC6MSX-BAG](#) [91210071096](#) [SL05](#) [99.265.0400.0](#) [A3F04](#) [AC3FG](#) [AC4-FCP](#) [AC4FPZ](#) [AQG4F](#) [2504FP](#) [30-498-2](#) [R6MZ](#) [3FD-H-I](#) [3FD-H-I-\(0\)](#) [3FD-H-I-B](#) [3FD-V-I](#) [3FD-V-I-\(0\)](#) [3FD-V-I-B](#) [3MD-H-I-B](#) [3MD-V-I](#) [3MD-V-I-B](#) [TA01](#)