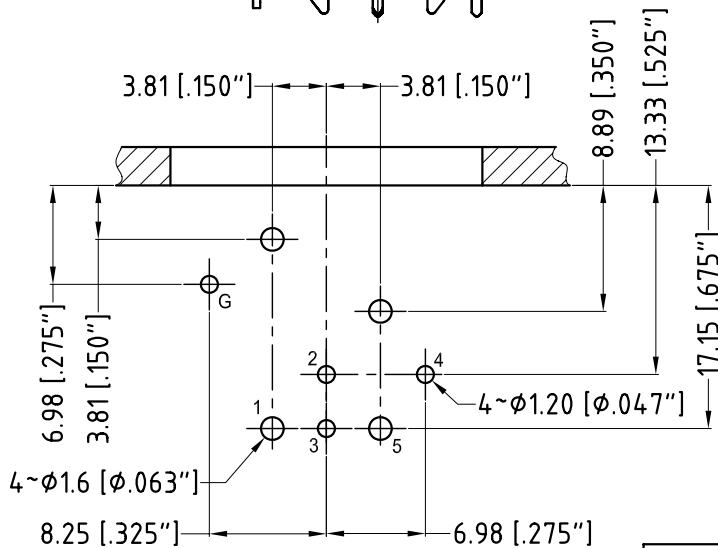
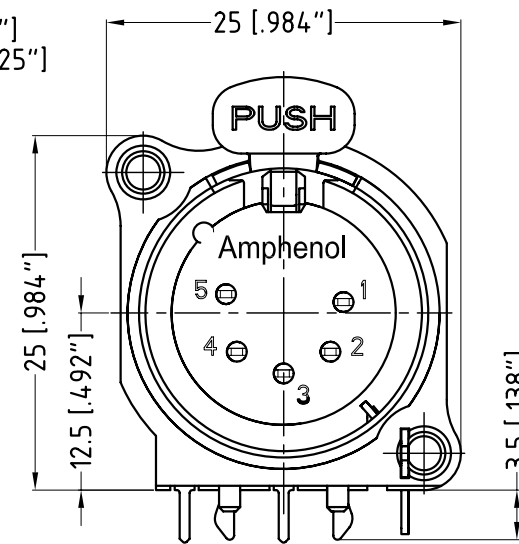
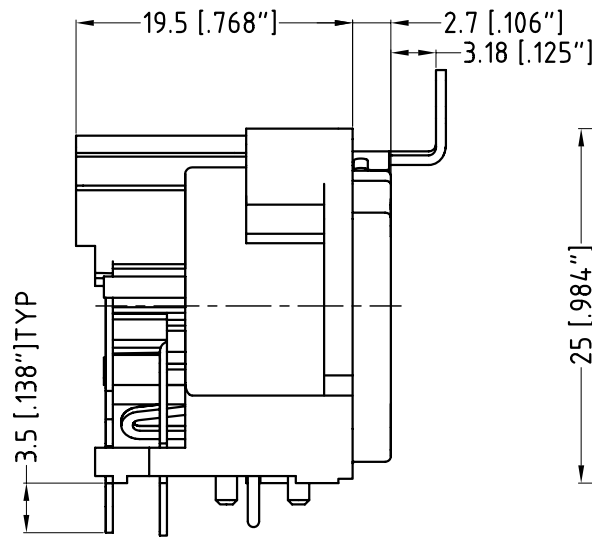
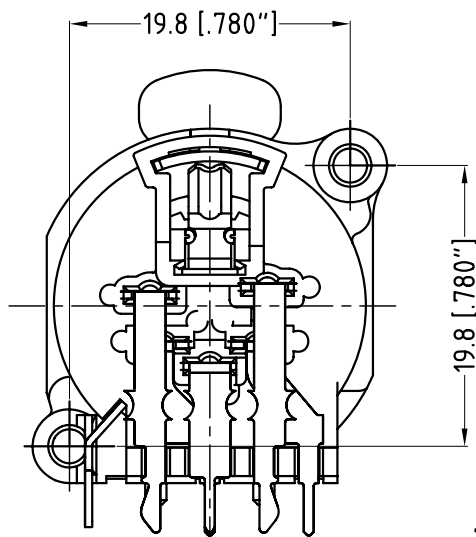


LEGEND = KEY PRODUCT CHARACTERISTICS



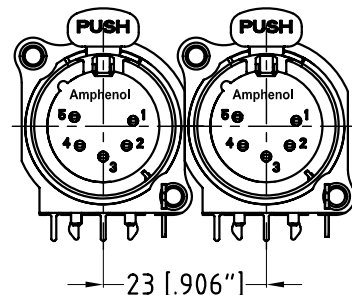
REVISION HISTORY

REV	DESCRIPTION	DATE	BY	CHG/No
0	FIRST ISSUED	21-08-08	M.H	---
1	ADD -B TO PN	26-08-15	M.H	---

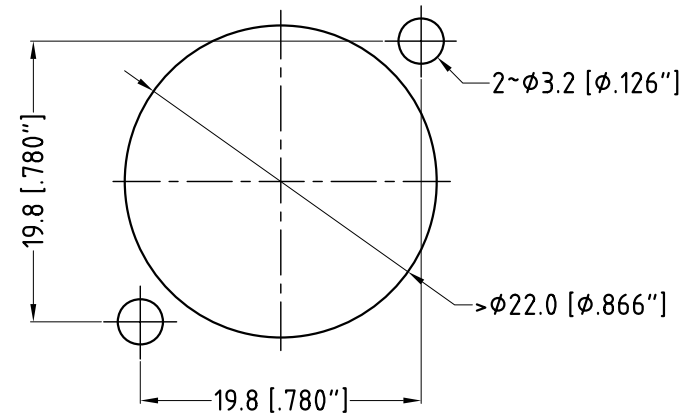


PCB-LAYOUT

COMPONENT SIDE
TOLERANCE: ±0.05mm [0.002"]



(SCALE 1:2)



PANEL CUT OUT

REAR VIEW

UNLESS OTHERWISE SPECIFIED
TOLERANCE TO BE

LINEAR		ANGULAR	
X ±0.5	X' ±1	X.X' ±30°	X.X.X' ±15°
X.X ±0.1	X.X' ±1	X.X.X' ±30°	X.X.X.X' ±15°
X.XX ±0.05	X.XX' ±0.1	X.XX.X' ±30°	X.XX.X.X' ±15°

BREAK ALL SHARP EDGES
AND REMOVE ALL BURRS

DO NOT SCALE

DIMENSIONS IN MILLIMETRES

THIS DOCUMENT IS THE PROPERTY OF AMPHENOL AUSTRALIA PTY. LTD.
NO PART THEREOF MAY BE REPRODUCED AND USED
WITHOUT THE PRIOR WRITTEN CONSENT OF THE OWNER

MATERIAL:
REFER TO COMPONENTS

FINISH: REFER TO COMPONENTS

THIRD ANGLE PROJECTION

DRN: A.O	DATE: 20-08-08
CKD: M.H	DATE: 26-08-15
APP'D: P.M	DATE: 26-08-15
SCALE: 1:1	SIZE: A4

Amphenol

Amphenol Australia Pty.Ltd,
2 Flveways Blvd, Keysborough, VIC 3173

TITLE:
AC5FAH-AU-B
HORIZONTAL FEMALE
CUSTOMER DRAWING

CAD FILE: 55010445000111

PART NO:
AC5FAH-AU-B

DRAWING NO. 55010445-000-1 SHEET 1/1

X-ON Electronics

Largest Supplier of Electrical and Electronic Components

Click to view similar products for [XLR Connectors](#) category:

Click to view products by [Amphenol](#) manufacturer:

Other Similar products are found below :

[707-0300](#) [PPCB-H](#) [A3F01](#) [A3M01](#) [QGP3F](#) [HA16PRQ-3SE\(71\)](#) [AA3FL](#) [AAA4FWZ](#) [AAA4MWZ](#) [AC3-MIC](#) [AC4-MIC](#) [AC5FPZB](#)
[AC6AFDZV](#) [D4FB](#) [DE4MW](#) [DHNF-BAG](#) [E3MBAUSW](#) [NA2FP-UW](#) [NA3MP-UW](#) [NC3FBHR1-0](#) [NC3FD-H-0](#) [NC3FK-V](#) [NC3FXY-B](#)
[NC3MK-V](#) [NC3MXY](#) [NC5FX-HD-B](#) [NC6MSX-BAG](#) [91210071096](#) [SL05](#) [99.265.0400.0](#) [A3F04](#) [AC3FG](#) [AC4-FCP](#) [AC4FPZ](#) [AQG4F](#)
[2504FP](#) [30-498-2](#) [R6MZ](#) [3FD-H-I](#) [3FD-H-I-\(0\)](#) [3FD-H-I-B](#) [3FD-V-I](#) [3FD-V-I-\(0\)](#) [3FD-V-I-B](#) [3MD-H-I-B](#) [3MD-V-I](#) [3MD-V-I-B](#) [TA01](#)
[TA3MWX](#) [TA5MLWX](#)