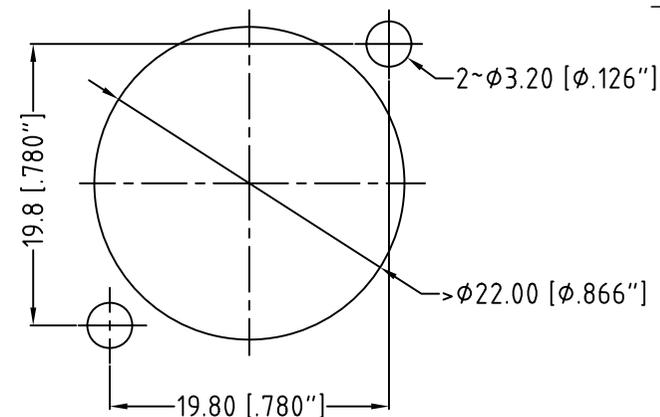
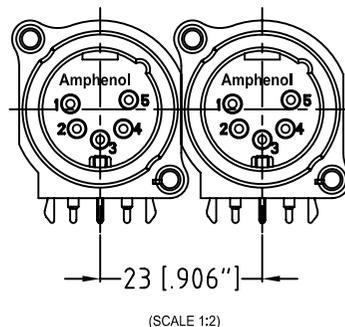
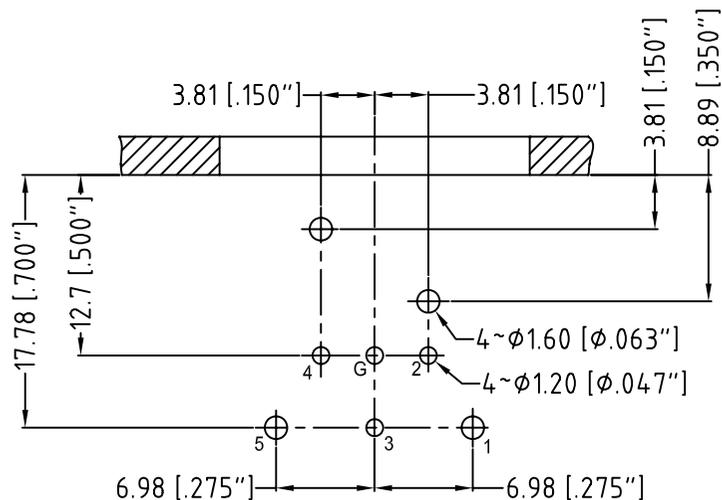
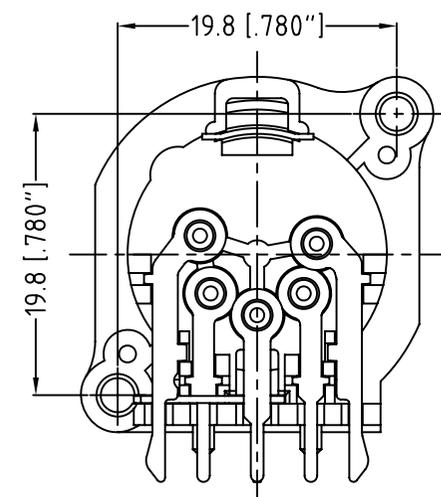
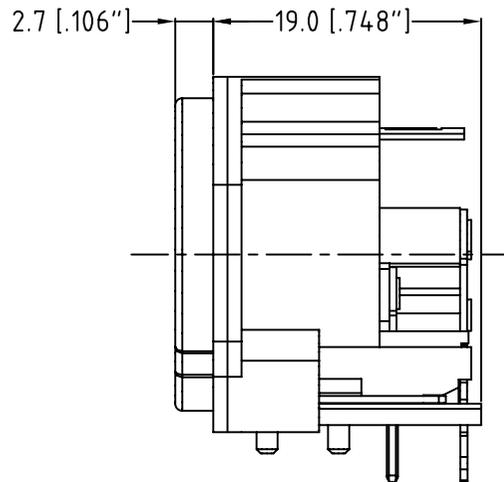
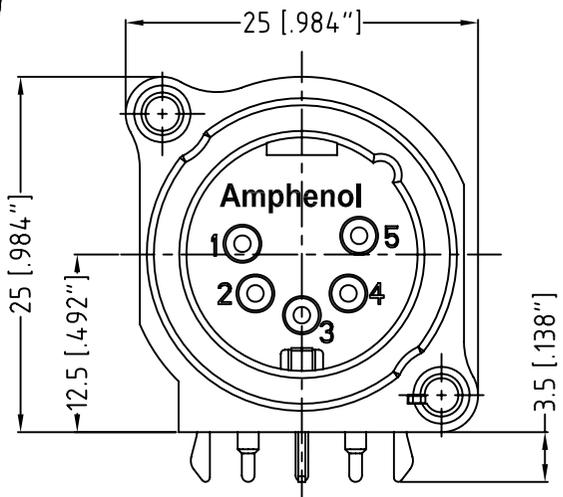


LEGEND  = KEY PRODUCT CHARACTERISTICS

REVISION HISTORY

REV	DESCRIPTION	DATE	BY	CHG/No
0	FIRST ISSUED	20-08-08	M.H	---
1	ADD -B TO PN	26-08-15	M.H	---



PANEL CUT OUT

REAR VIEW

PCB-LAYOUT

COMPONENT SIDE
TOLERANCE: ±0.05mm[.002"]

UNLESS OTHERWISE SPECIFIED
TOLERANCE TO BE

LINEAR	ANGULAR
X ±0.50	X' ±1
X.X ±0.20	X.X' ±30°
X.XX ±0.10	X.XX' ±15°

BREAK ALL SHARP EDGES
AND REMOVE ALL BURRS

DO NOT SCALE

DIMENSIONS IN MILLIMETRES

THIS DOCUMENT IS THE PROPERTY OF AMPHENOL AUSTRALIA PTY. LTD.
. NO PART THEREOF MAY BE REPRODUCED AND USED
WITHOUT THE PRIOR WRITTEN CONSENT OF THE OWNER

MATERIAL:
REFER TO COMPONENTS

FINISH: REFER TO COMPONENTS

DRN: A.O	DATE: 20-08-08
CKD: M.H	DATE: 26-08-15
APP'D: P.M	DATE: 26-08-15
SCALE: 1:1	SIZE: A4

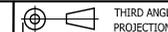
Amphenol

Amphenol Australia Pty.Ltd,
22 Industry Blvd, Carrum Downs, VIC 3201

TITLE:
AC5MAH-AU-B
HORIZONTAL MALE
CUSTOMER DRAWING

PART No:
AC5MAH-AU-B

DRAWING NO. 55010444-000-1	SHEET 1/1
-------------------------------	--------------



X-ON Electronics

Largest Supplier of Electrical and Electronic Components

Click to view similar products for [XLR Connectors](#) category:

Click to view products by [Amphenol](#) manufacturer:

Other Similar products are found below :

[707-0300](#) [PPCB-H](#) [A3F01](#) [A3M01](#) [QGP3F](#) [AA3FL](#) [AAA4FWZ](#) [AAA4MWZ](#) [AC3-MIC](#) [AC4-MIC](#) [AC5FPZB](#) [AC6AFDZV](#) [D4FB](#)
[DE4MW](#) [DHNF-BAG](#) [E3MBAUSW](#) [NA3MP-UW](#) [NC3FBHR1-0](#) [NC3FD-H-0](#) [NC3FK-V](#) [NC3FXY-B](#) [NC3MK-V](#) [NC3MXY](#) [NC5FX-](#)
[HD-B](#) [NC6MSX-BAG](#) [SL05](#) [99.265.0400.0](#) [A3F04](#) [AC3FG](#) [AC4-FCP](#) [AC4FPZ](#) [AQG4F](#) [2504FP](#) [30-498-2](#) [R6MZ](#) [3FD-H-I](#) [3FD-H-I-\(0\)](#)
[3FD-H-I-B](#) [3FD-V-I](#) [3FD-V-I-\(0\)](#) [3FD-V-I-B](#) [3MD-H-I-B](#) [3MD-V-I](#) [3MD-V-I-B](#) [TA01](#) [TA3MWX](#) [TA5MLWX](#) [MINICCF8](#)
[TRASM4M1X](#) [TRASM7M1X](#)