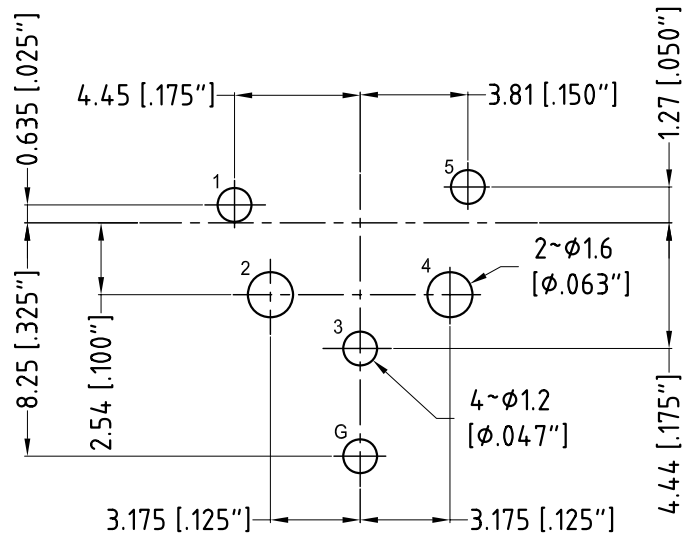
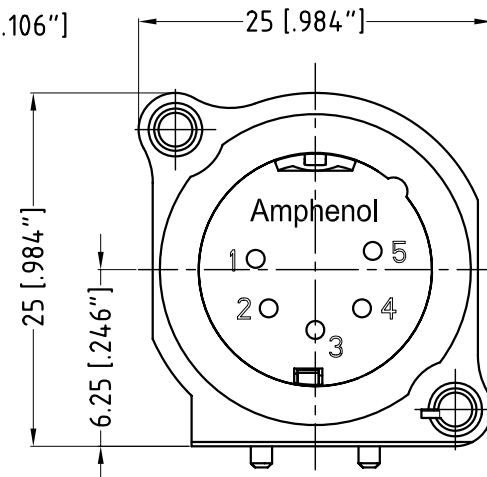
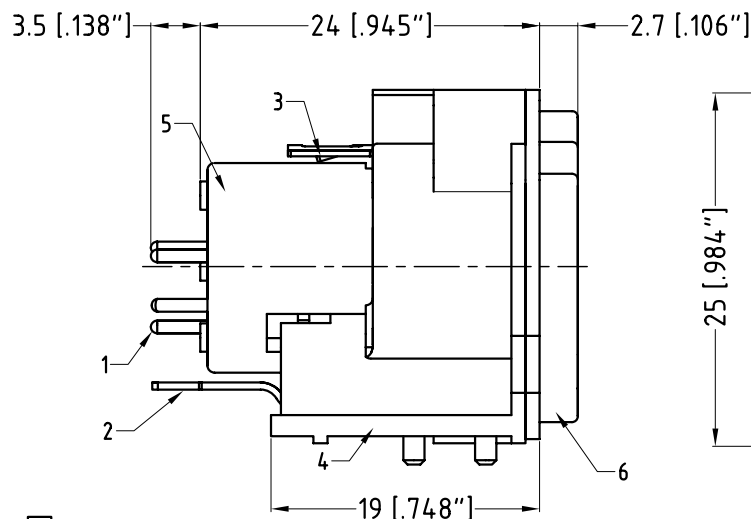
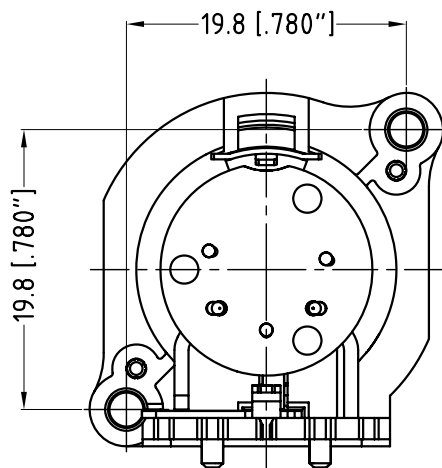


LEGEND = KEY PRODUCT CHARACTERISTICS



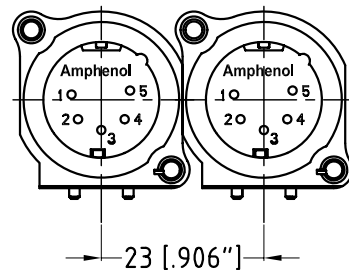
REVISION HISTORY

REV	DESCRIPTION	DATE	BY	CHG/No
0	FIRST ISSUED	21-08-08	M.H	---
1	ADD -B TO PN	26-08-15	M.H	---

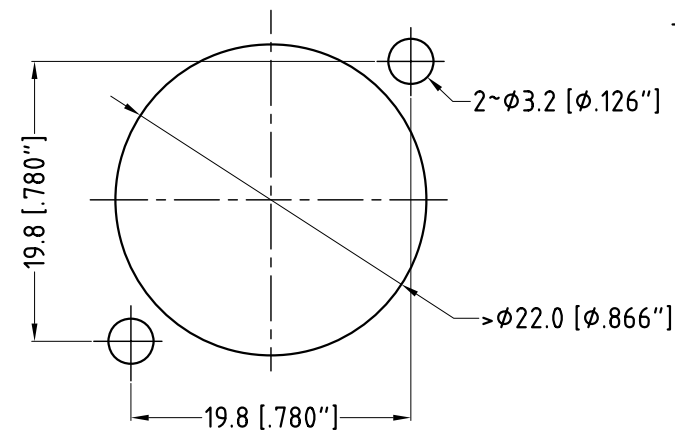


PCB-LAYOUT

COMPONENT SIDE
TOLERANCE: ±0.05mm [.002"]



(SCALE 1:2)



PANEL CUT OUT
REAR VIEW

UNLESS OTHERWISE SPECIFIED
TOLERANCE TO BE

LINEAR	ANGULAR
X ±0.5	X' ±1
X.X ±.1	X.X' ±.30°
X.XX ±.05	X.XX' ±.15°

BREAK ALL SHARP EDGES
AND REMOVE ALL BURRS

DO NOT SCALE

DIMENSIONS IN MILLIMETRES

THIS DOCUMENT IS THE PROPERTY OF AMPHENOL AUSTRALIA PTY. LTD.
NO PART THEREOF MAY BE REPRODUCED AND USED
WITHOUT THE PRIOR WRITTEN CONSENT OF THE OWNER

MATERIAL:
REFER TO COMPONENTS

FINISH: **REFER TO COMPONENTS**

DRN: **A.O** DATE: **20-08-08**

CKD: M.H DATE: 26-08-15

APP'D: P.M DATE: 26-08-15

SCALE: 1:1 SIZE: **A4**

Amphenol

Amphenol Australia Pty.Ltd,
22 Industry Blvd, Carrum Downs, VIC 3201

TITLE:
**AC5MAV-AU-B
VERTICAL MALE
PRODUCTION DRAWING**

CAD FILE: 55010446000221

PART NO:
AC5MAV-AU-B

DRAWING NO. **55010446-000-2** SHEET **2/2**

NO.	PART NAME	Q'TY	MATERIAL(THICK,COLOR)	REMARK
6	COVER-TOP	1	NYLON(PA66 G20) 94HB	RoHS COMPLIANT
5	COVER	1	NYLON(PA66 G20) 94HB BLACK	
4	BODY	1	NYLON(PA66 G20) 94HB BLACK	
3	SLEEVE	1	STEEL t=0.4	NI-PLATED , RoHS COMPLIANT
2	EARTHING-TERMINAL	1	H62Y t=0.3 (C2680R-H)	Cu-Sn-PLATED , RoHS COMPLIANT
1	PIN	5	H59	AU-PLATED , RoHS COMPLIANT

X-ON Electronics

Largest Supplier of Electrical and Electronic Components

Click to view similar products for [XLR Connectors](#) category:

Click to view products by [Amphenol](#) manufacturer:

Other Similar products are found below :

[707-0300](#) [8800235](#) [91101181024](#) [PPCB-H](#) [A3F01](#) [A3M01](#) [QGP3F](#) [HA16PRQ-3SE\(71\)](#) [AA3FL](#) [AAA4FWZ](#) [AAA4MWZ](#) [AC3-MIC](#) [AC4-MIC](#) [AC5FPZB](#) [AC6AFDZV](#) [D4FB](#) [DE4MW](#) [DHNFBAG](#) [E3MBAUSW](#) [NA2FP-UW](#) [NA3MP-UW](#) [NC3FBHR1-0](#) [NC3FD-H-0](#) [NC3FK-V](#) [NC3FXY-B](#) [NC3MK-V](#) [NC3MXY](#) [NC5FX-HD-B](#) [NC6MSX-BAG](#) [91210071096](#) [SL05](#) [99.265.0400.0](#) [A3F04](#) [AC3FG](#) [AC4-FCP](#) [AC4FPZ](#) [AQG4F](#) [2504FP](#) [30-498-2](#) [R6MZ](#) [3FD-H-I](#) [3FD-H-I-\(0\)](#) [3FD-H-I-B](#) [3FD-V-I](#) [3FD-V-I-\(0\)](#) [3FD-V-I-B](#) [3MD-H-I-B](#) [3MD-V-I](#) [3MD-V-I-B](#) [TA01](#)