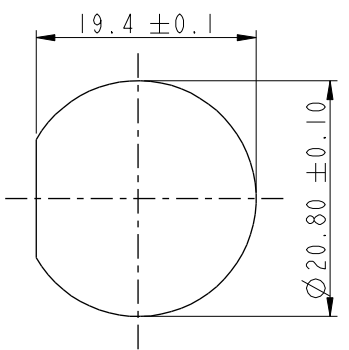
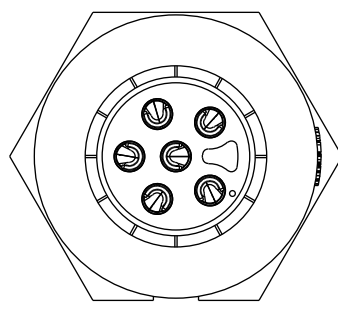


THIS DOCUMENT IS SUBJECT TO CHANGE WITHOUT NOTICE. IT IS CONFIDENTIAL AND A PROPERTY OF Amphenol LTW. DISCLOSURE TO THIRD PARTY HAS TO BE AUTHORIZED BY Amphenol LTW.

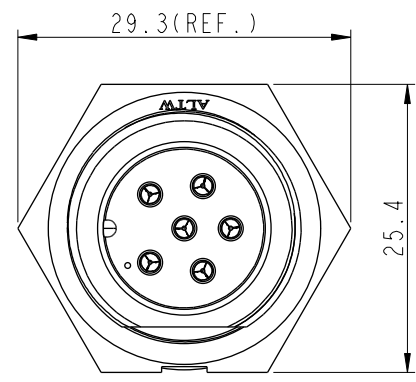
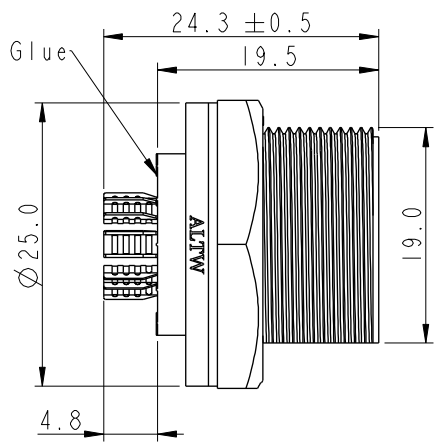
REV.	ECN NO.	DATE	SIGN	DESCRIPTION
B	C190348	2019/03/06	Vicky	Change Note



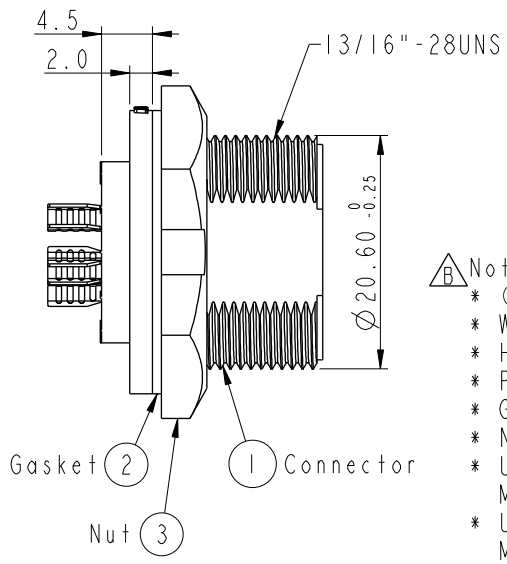
Recommended Panel
Cut-Out



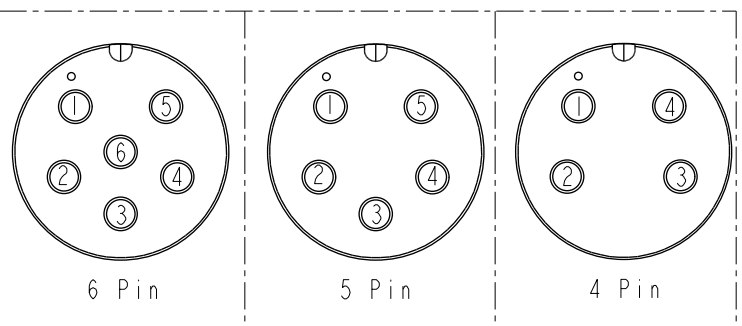
With Liquid Glue



ACB-XXPMS-SC7001
04: 4Pin
:
06: 6Pin



- Note:**
- * Important Dimension To Check.
 - * Waterproof Rate: IP67, Unmated.
 - * Housing: Thermoplastic, Black.
 - * Pin: Copper Alloy, Gold Plated.
 - * Gasket: Rubber, Gray.
 - * Nut: Thermoplastic, Black.
 - * Use with waterproof cap or dust cap
Maximum Panel Thickness: 2.3mm
 - * Use without waterproof cap or dust cap
Maximum Panel Thickness: 3.5mm
 - * Gasket and Nut are packed separately in PE bags. (Gasket/Nut 不組裝, 散裝出貨)



Pin Assignments Front View

A	UNIT: mm	TITLE MIDDLE PANEL SCREW M CONN M PIN			ITEM NO	DRAWN BY Vicky	DATE 2019-03-06
	TOLERANCE .X ±0.25 .XX ±0.1 .XXX ±0.05 ANGLES ±1°	SCALE 3:2	SIZE A4	SHEET 1 OF 1	DWG NO ACB-XXPMS-SC7001	CHECKED BY Rita	DATE 2019-03-06
	REV. B	WC-REV. A.2	QC: Inspection item		CUSTOMER ALTW	APPROVED BY Max	DATE 2019-03-06
	<h2 style="text-align: center;">Amphenol LTW</h2> <p style="text-align: center;">安費諾亮泰企業股份有限公司</p>						

X-ON Electronics

Largest Supplier of Electrical and Electronic Components

Click to view similar products for [Standard Circular Connector](#) category:

Click to view products by [Amphenol](#) manufacturer:

Other Similar products are found below :

[5M2530B10P](#) [600259N006](#) [600273N007](#) [6134-336-13149](#) [6134-337-11149](#) [6134-337-2390](#) [6134-341-17149](#) [6280-4SG-516](#) [6280-7SG-3DC](#)
[6290](#) [6291A](#) [66200A-10](#) [680-SMG](#) [681-PMG](#) [CXS3102A14S2P](#) [CXS3102A181S](#) [7251-6SG-300](#) [7271-6SG-300](#) [7282-3PG-300-CH3](#) [75-](#)
[474014-05S](#) [75-474618-01S](#) [75-474618-04S](#) [799539-000](#) [MI8-SE](#) [805-005-07NF11-19PC](#) [805-005-07NF15-7PA](#) [8280-4PG-516](#) [8280-7PG-](#)
[519](#) [8282-5PG-519](#) [836783-1](#) [MP-4102-25P-C](#) [862256-1](#) [864019-2](#) [866857-1](#) [867865-1](#) [PT01SP-14-18P](#) [PT08P-14-5S](#) [PTSF06SE-14-12S](#)
[120-1833-000](#) [QCM019PC2DC012B](#) [1-2069279-1](#) [121583-0217](#) [121667-0020](#) [129591AU](#) [1000B BULK](#) [RD10A16-19-P6CS051/1](#)
[RD10A20-31-P8CS051/1](#) [RD16A14-12-S6CS051/2](#) [1301240290](#) [1301240347](#) [1301860202](#)