

1

2

3

4

5

6

A

B

C

D

E

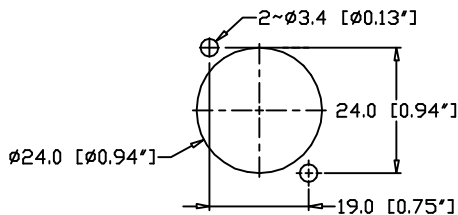
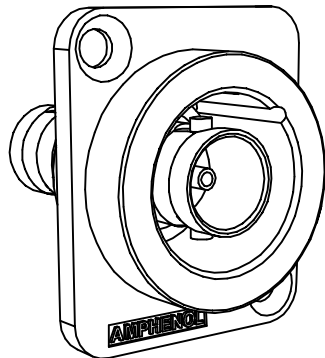
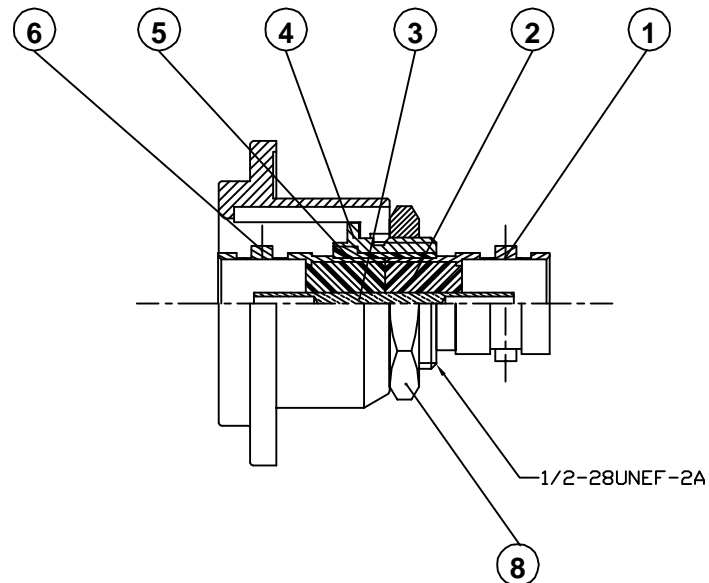
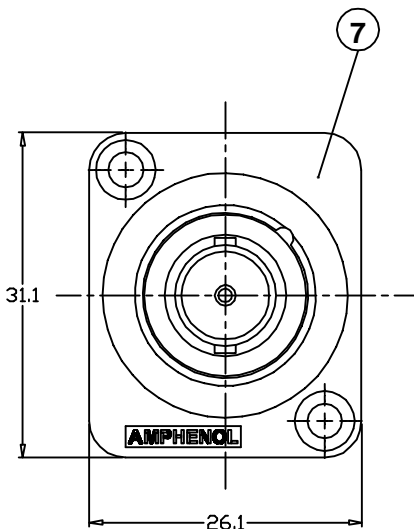
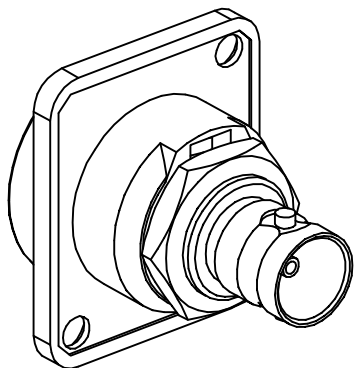
A

B

C

D

E



MOUNTING DETAILS

SCALE 1:1

(DIMENSIONS IN PARENTHESES ARE IN INCHES)



8	HN16-1/2-28X28	HN16-1/2-28X28	HEX NUT	01
7	5348001-*31	5348001-*31-1	D-SHELL	01
6	87925-5	87925-5	BODY	01
5	87925-4-A	87925-4-A	INSULATOR	01
4	87925-6-C	87925-6-C	HOUSING	01
3	87900-4	87900-4	CONTACT PIN	01
2	87996ZZ-3-57	87996ZZ-3-57	INSULATOR	02
1	87925-1-B	87925-1-B	BODY	01

UNLESS OTHERWISE SPECIFIED TOLERANCE TO BE		THIS DOCUMENT IS THE PROPERTY OF AMPHENOL AUSTRALIA PTY. LTD.. NO PART THEREOF MAY BE REPRODUCED AND USED WITHOUT THE PRIOR WRITTEN CONSENT OF THE OWNER		0	FIRST ISSUE	M.N.H.	29-09-2000	----
LINEAR	ANGULAR	CAD FILE: 55010008000110	DRN: T.N.	REV.	CHANGE DETAILS	BY	DATE	CHG/No
X ± 1	X' ± 1'	MATL: REFER TO COMPONENT	CKD: M.N.H	DATE: 07-08-00	TITLE: AC SERIES BNC 75 Ohm JACK-JACK RECEPTACLE		Amphenol	
X.X ± 0.5	X'X' ± 30'	FINISH: REFER TO COMPONENT	APP'D: P.M	DATE: 29-09-00	DRAWING NO. 55010008-000		SHEET 1 of 1	
X.XX ± 0.10	X'X'X' ± 15'	DO NOT SCALE		SCALE: 2:1 UOS	PART No: 55010008-000	SIZE: A3	Amphenol Australia Pty Ltd, 2 Fireways Blvd, Keilorbrough, Vic 3173	

ITEM	PART No.	DWG No.	DESCRIPTION	QTY
------	----------	---------	-------------	-----

1

2

3

4

5

6

F

F

X-ON Electronics

Largest Supplier of Electrical and Electronic Components

Click to view similar products for [RF Adapters - In Series category:](#)

Click to view products by [Amphenol manufacturer:](#)

Other Similar products are found below :

[5916-1103-603](#) [5918-1103-000](#) [5919-1503-000](#) [651A505](#) [82-5552](#) [9030-9523-502](#) [A0407000](#) [R114703000W](#) [R125704000](#) [R125771001](#)
[R141710000W](#) [R141723161](#) [R141730000](#) [R143730700](#) [R143770000](#) [R161703000W](#) [R161730000](#) [R161753000W](#) [R161791530W](#)
[R201705000](#) [R222705200](#) [R222M40010W](#) [R223703180](#) [R316754000](#) [R405006000](#) [R443162000](#) [AD78TL](#) [HRM-513S](#) [1996352-2](#)
[2157155-1](#) [252169-75](#) [AD158](#) [2101130-1](#) [252186](#) [R114704000W](#) [R114720000W](#) [R125705001](#) [R125705701](#) [R125771000](#) [R125771001W](#)
[R125791501W](#) [R127704001](#) [R127.870.001](#) [R127872001](#) [R141717000](#) [R142710000](#) [R142723000](#) [R143703000](#) [R143704000](#) [R143705700](#)