

AC THREADED SERIES

REVISIONS			
LTR	DESCRIPTION	DATE	APPVD
G	(CL11) SEE CHANGE NOTICE ECN:C3955	9/1/16	Prescott

AC C L 06 AF 18-1 S X (025)
 1 2 3 4 5 6 7 8 9

1 SERIES	
AC	AMPHENOL INDUSTRIAL CONNECTORS
2 CONTACT STYLE	
C	CRIMP CONTACTS
S	SOLDER CONTACTS
3 MODIFIER	
L	LOW SMOKE ZERO HALOGEN INSERTS AND GROMMETS
4 SHELL STYLE	
00	WALL MOUNT RECEPTACLE
01	IN LINE RECEPTACLE
02	BOX MOUNT RECEPTACLE
04	01 LESS BACK HARDWARE
05	06 LESS BACK HARDWARE
06	STRAIGHT PLUG
08	90° ANGLE PLUG

5 CLASS	
A	GENERAL DUTY
E	ENVIRONMENTAL / WIRE BUNDLE
F	ENVIRONMENTAL / WIRE BUNDLE
R	ENVIRONMENTAL WITH GT R CLASS ADAPTER COMPRESSION SLEEVE AND GROMMET.
AD	GENERAL DUTY
AF	GENERAL DUTY
CF	ADAPTER, JACKETED CABLE CLAMP, ENVIRONMENTAL
LCFZ	LONG ADAPTER, INDIVIDUAL WIRE SEALING GROMMET, JACKETED CABLE CLAMP, ENVIRONMENTAL
PG	ENVIRONMENTAL / JACKETED CABLE
SB	ADAPTER, BACKSHELL FOR SHIELD BRAID & HEAT SHRINK/BOOT, INDIV WIRE GROMMET, ENVIRONMENTAL

6 SHELL SIZE & ARRANGEMENT	
SEE L-11908/48-()	
7 CONTACT GENDER	
P	PIN CONTACT
S	SOCKET CONTACT
R	RADSOK SOCKET
8 ALTERNATE ROTATIONS	
W	SEE DRAWING 10-74800/899
X	
Y	
Z	
9 VARIATIONS	
(003)	OLIVE DRAB CADMIUM PLATE
(023)	ELECTROLESS NICKEL PLATE
(024)	GREEN ZINC ALLOY PLATE
(025)	BLACK ZINC ALLOY PLATE
(B30)	GOLD PLATED CONTACTS
(G96)	BLACK ANODIZE HARD COAT
(L/C)	LESS CONTACTS

TABLE OF CONTENTS	
SHELL STYLE	PAGES
AC()00	2-4
AC()01	5-7
AC()02	8-9
AC()04	10-11
AC()06	12-15
AC()08	16-18
NOTES	19
AN, MS DETAILS	20

SEE SHEET 19

NOTES:

THE USE OF THIS DOCUMENT IS UNLIMITED.
HOWEVER, DOCUMENTS REFERENCED HEREON
MAY CONTAIN LIMITED RIGHTS DATA.

N/A

N/A

NEXT ASSEMBLY

UNLESS OTHERWISE SPECIFIED	SPECIFICATIONS	POS	QTY	PART NUMBER	DESCRIPTION	NOTE
LINEAR DIMENSIONS ARE IN INCHES TOLERANCES: .XXXX = ±.0005 .XXX = ±.010 .XX = ±.03 .X = ±.1 ANGLES = ±2° OTHER STANDARDS PER 9-3800 AND DOD-D-1000 THIRD ANGLE PROJECTION	MATERIAL SPEC.	APPROVALS		DATE	PARTS LIST	
	N/A	PREPARED	OLEKSIK	24-Jun-97	AMPHENOL CORPORATION SIDNEY, N.Y. 13838	
		CHECKED	DEMATTEO	12/23/97	AC THREADED SERIES	
		MATERIAL				
	PROCESS SPEC.	APPROVED	OLEKSIK	12/23/97		
	SEE NOTES 6 AND 7, 9-9306	APPROVED	GALLUSSER	12/23/97		
		PRO/ENG INFORMATION				
		ACSERIESPGI				
		SIZE	FSCM NO.	DOCUMENT NO.	REV.	
		C	77820	AC SERIES	G	
		SCALE: NONE	REF:	N/A	SHEET 1 OF 20	

FAMCODES|DATA3:ACX TNS|CICS: 1495

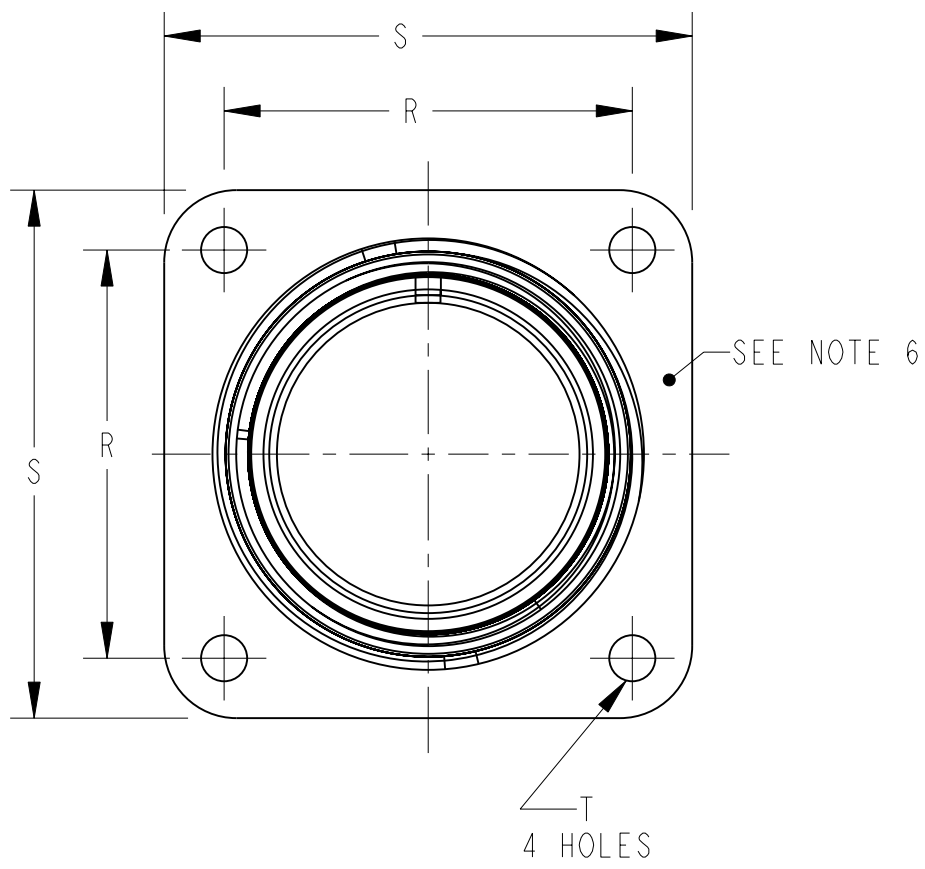
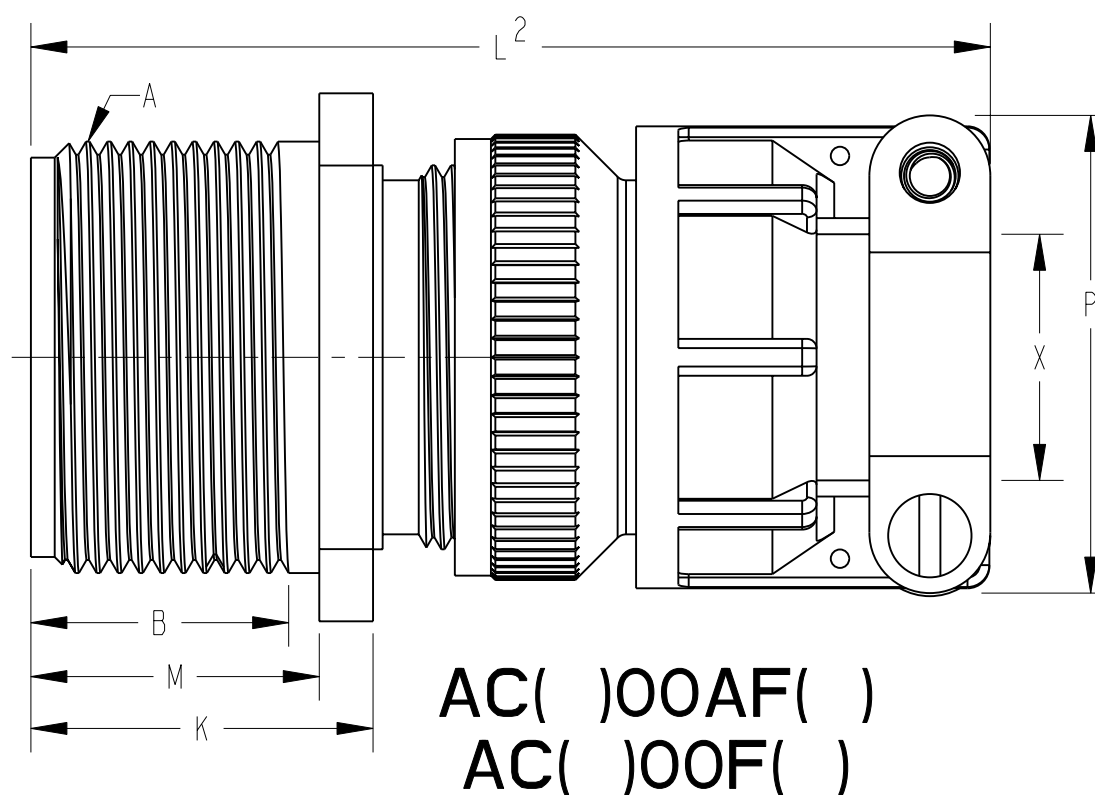
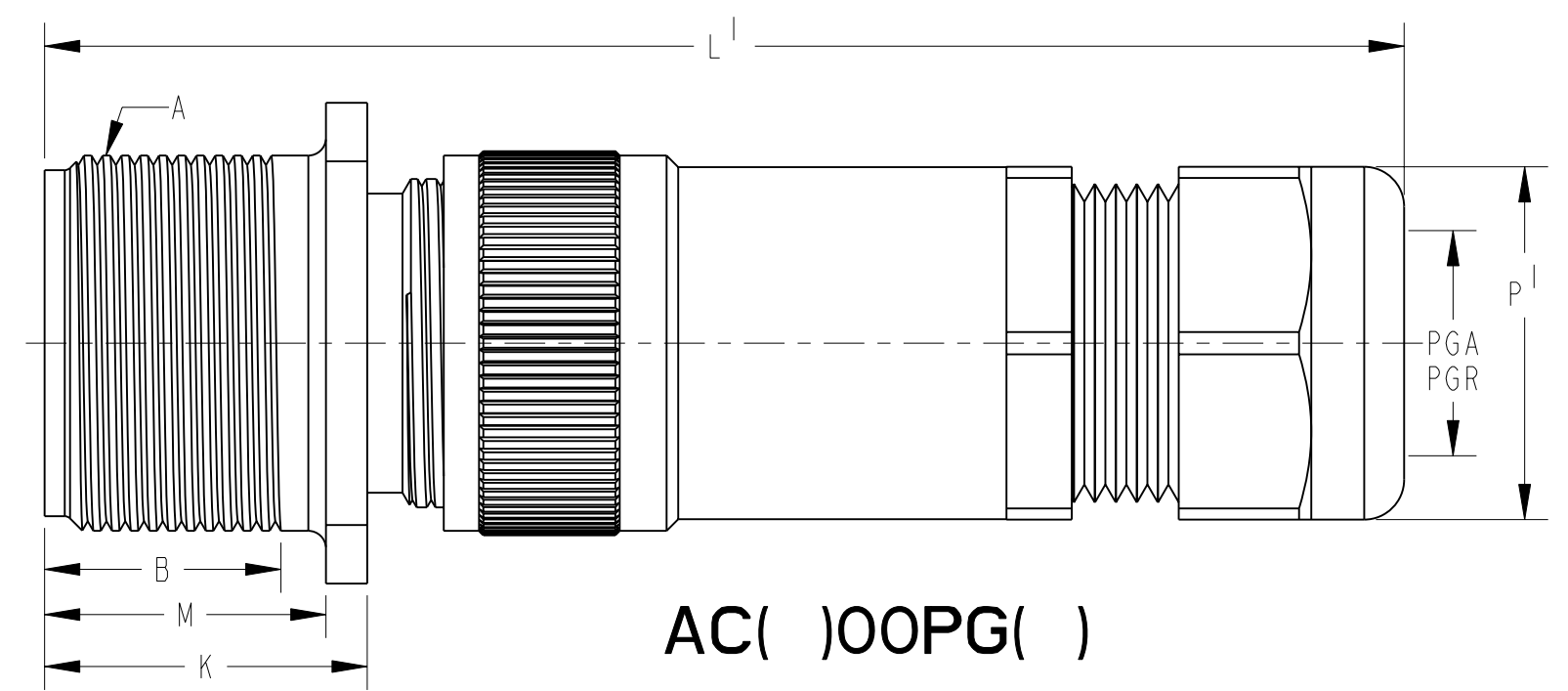
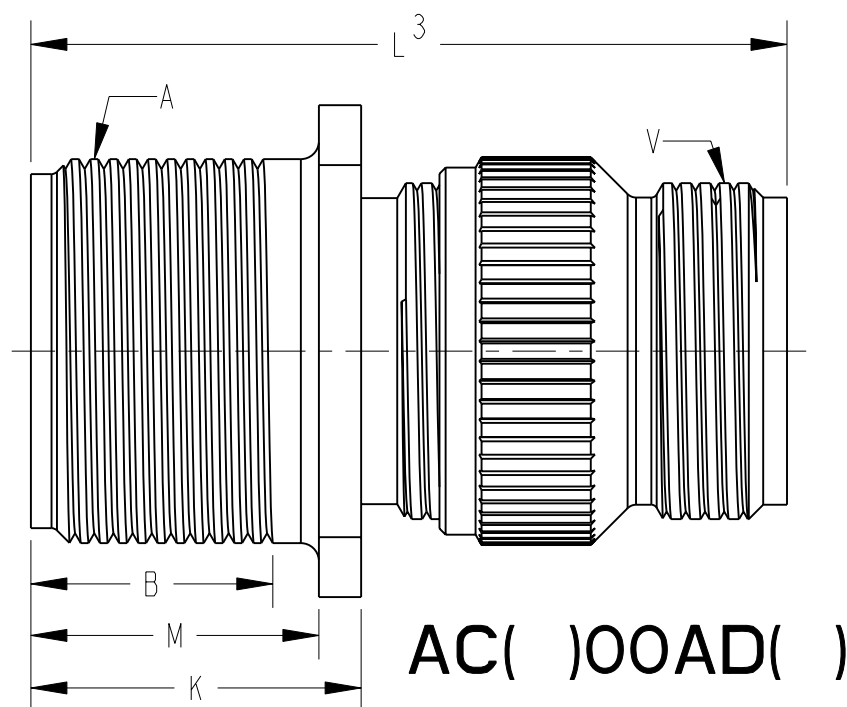
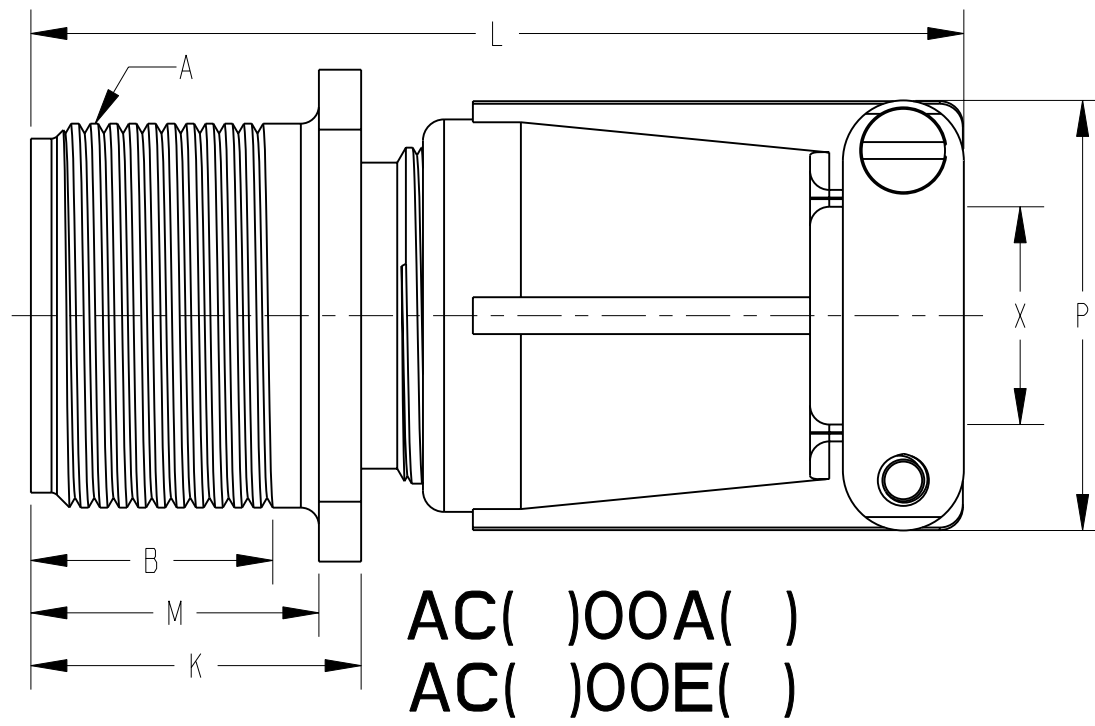
AC SERIES

1 OF 19

U

TAB.

AC()00()



SEE SHEET 19.

NOTES:

THE USE OF THIS DOCUMENT IS UNLIMITED.
HOWEVER, DOCUMENTS REFERENCED HEREON
MAY CONTAIN LIMITED RIGHTS DATA.

SIZE C	FSCM NO. 77820	DOCUMENT NO. AC SERIES	REV. G
SCALE: NONE	REF: N/A	SHEET 2 OF 20	

UIC NO
 SH 2 OF 19
 AC SERIES

AC()00()

SHELL SIZE	A THREAD CLASS 2A	B MIN. FULL THREAD	K +.020 -.010	L MAX	L ¹ MAX	L ² MAX	L ³ MAX	M +.010 -.000	P MAX	P ¹ HEX FLATS REF	PGA REF	PGR REF	R ±.005	S ±.010	T DIA +.004 -.002	V THREAD CLASS 2A	X MAX O.D. CABLE
10SL	.6250-24 UNEF	.391	.672	2.129	3.010	2.189	1.468	.562	.894	.750	.150/.320	.070/.240	.719	1.000	.120	.6250-24 UNEF	.312
12S	.7500-20 UNEF	.450	.672	2.129	3.010	2.261	1.468	.562	.894	.750	.150/.320	.070/.240	.812	1.094	.120	.6250-24 UNEF	.312
12	.7500-20 UNEF	.625	.860	2.524	3.500	2.644	1.468	.750	.894	.750	.150/.320	.070/.240	.812	1.094	.120	.6250-24 UNEF	.312
14S	.8750-20 UNEF	.450	.672	2.201	3.188	2.261	1.468	.562	1.083	.880	.190/.390	.110/.280	.906	1.188	.120	.7500-20 UNEF	.438
14	.8750-20 UNEF	.625	.860	2.524	3.641	2.644	1.468	.750	1.083	.880	.190/.390	.110/.280	.906	1.188	.120	.7500-20 UNEF	.438
16S	1.0000-20 UNEF	.450	.672	2.201	3.265	2.266	1.468	.562	1.181	.940	.230/.470	.190/.350	.969	1.281	.120	.8750-20 UNEF	.531
16	1.0000-20 UNEF	.625	.860	2.524	3.718	2.644	1.468	.750	1.181	.940	.230/.470	.190/.350	.969	1.281	.120	.8750-20 UNEF	.531
18	1.1250-18 UNEF	.625	.891	2.596	3.718	2.716	1.938	.750	1.300	.940	.230/.470	.190/.350	1.063	1.375	.120	1.0000-20 UNEF	.625
20	1.2500-18 UNEF	.625	.891	2.654	3.798	2.774	1.844	.750	1.487	1.060	.390/.560	.270/.470	1.156	1.500	.120	1.1875-18 UNEF	.750
22	1.3750-18 UNEF	.625	.891	2.654	4.080	2.916	1.938	.750	1.487	1.060	.390/.560	.270/.470	1.250	1.625	.120	1.1875-18 UNEF	.750
24	1.5000-18 UNEF	.625	.953	2.885	4.142	3.051	1.970	.812	1.712	1.060	.390/.560	.270/.470	1.375	1.750	.147	1.4375-18 UNEF	.938
28	1.7500-18 UNS	.625	.953	2.885	4.291	3.140	2.189	.812	1.712	1.300	.510/.710	.350/.630	1.562	2.000	.147	1.4375-18 UNEF	.938
32	2.0000-18 UNS	.625	1.031	2.943	4.643	3.184	2.261	.875	2.063	1.650	.700/.980	.510/.790	1.750	2.250	.173	1.7500-18 UNS	1.250
36	2.2500-16 UN	.625	1.031	2.943	4.643	3.245	2.219	.875	2.283	1.650	.700/.980	.510/.790	1.938	2.500	.173	2.0000-18 UNS	1.375
40	2.5000-16 UN	.625	1.031	3.068	5.635	3.670	2.188	.875	2.688	1.650	.700/.980	.510/.790	2.188	2.750	.173	2.2500-16 UN	1.625

SEE SHEET 19.

NOTES:

THE USE OF THIS DOCUMENT IS UNLIMITED.
HOWEVER, DOCUMENTS REFERENCED HEREON
MAY CONTAIN LIMITED RIGHTS DATA.

SIZE C	FSCM NO. 77820	DOCUMENT NO. AC SERIES	REV. G
SCALE: NONE	REF: N/A	SHEET 3 OF 20	

3 OF 19
AC SERIES

A

E

AD

AF

F

PG

SEE SHEET 19.

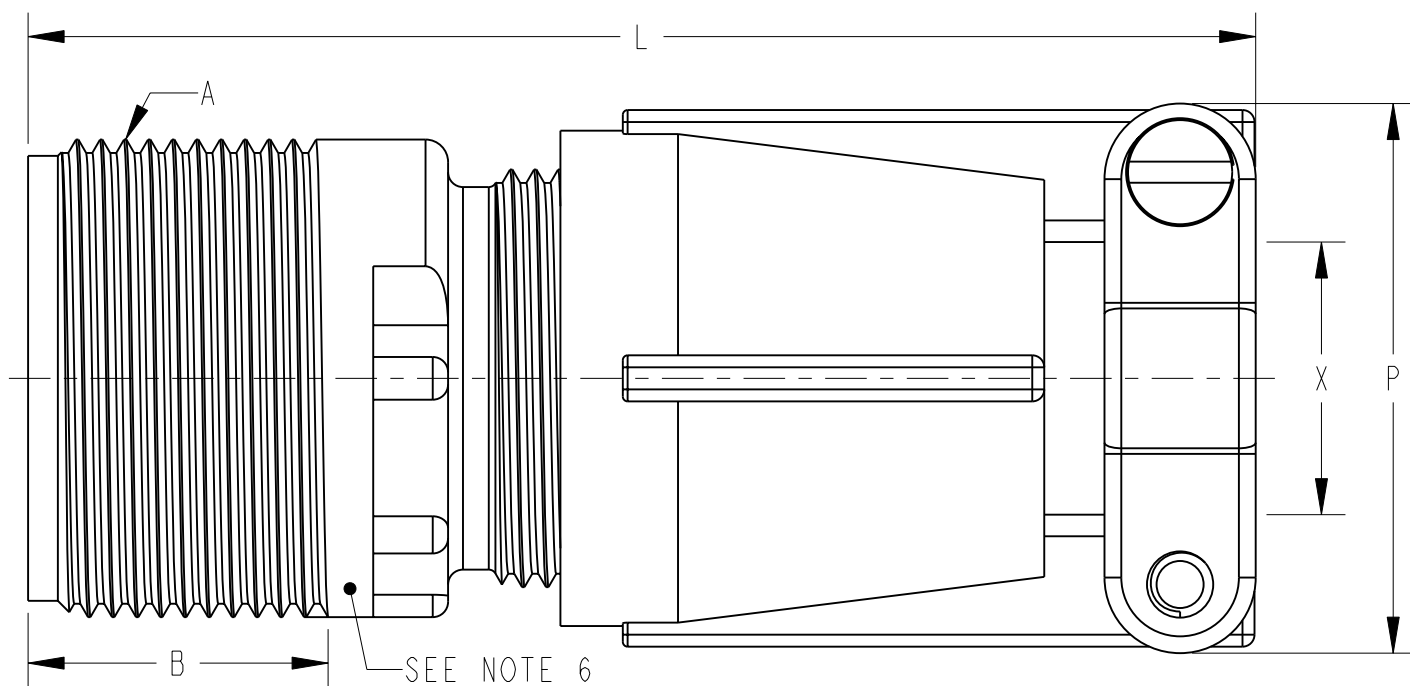
NOTES:

THE USE OF THIS DOCUMENT IS UNLIMITED. HOWEVER, DOCUMENTS REFERENCED HEREON MAY CONTAIN LIMITED RIGHTS DATA.

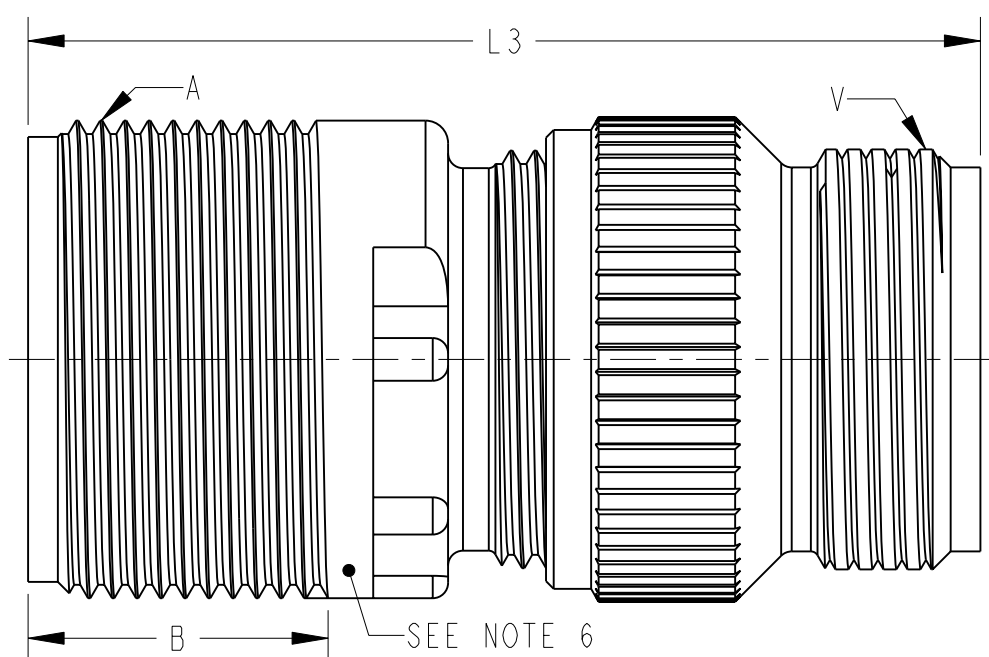
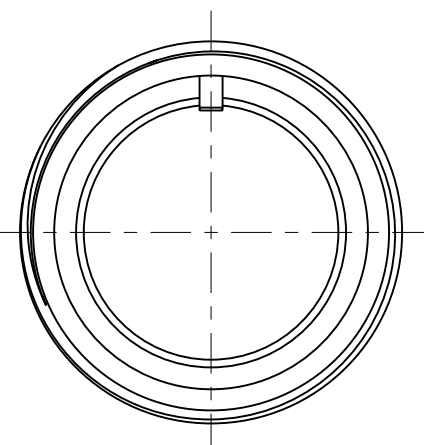
AC()00()

SIZE C	FSCM NO. 77820	DOCUMENT NO. AC SERIES	REV. G
SCALE: 1:3	REF: N/A	SHEET 4 of 20	

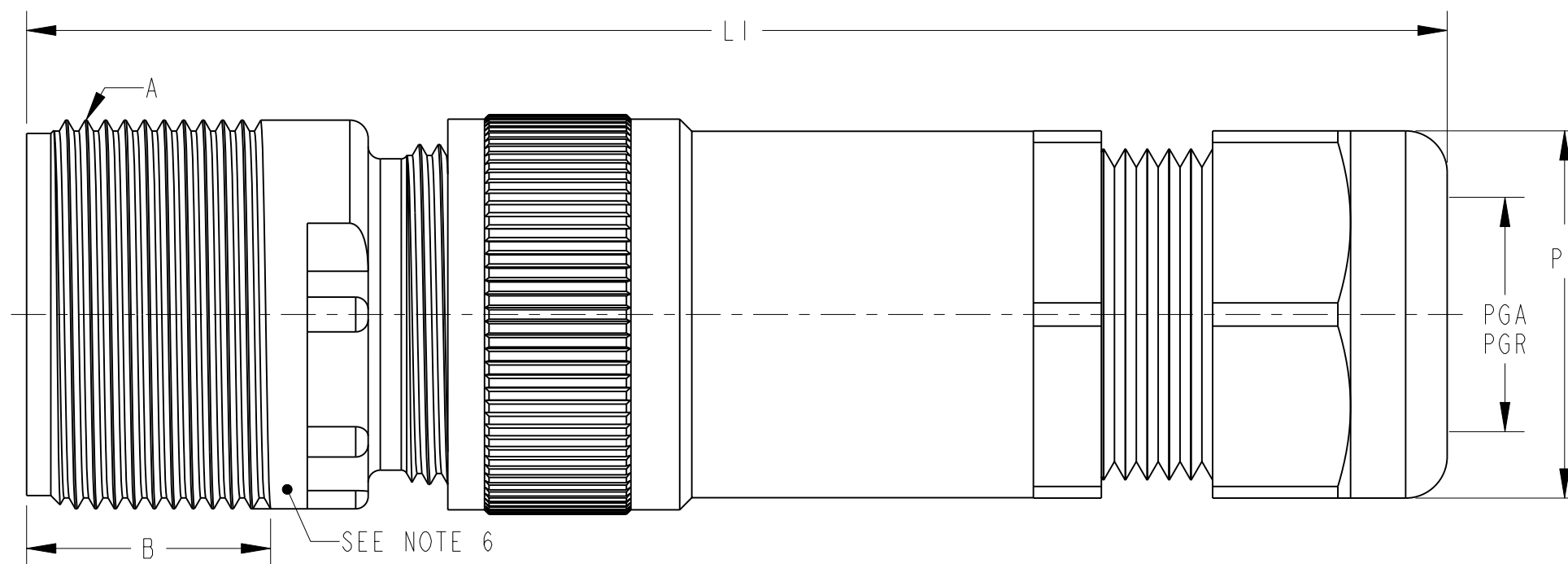
AC()01()



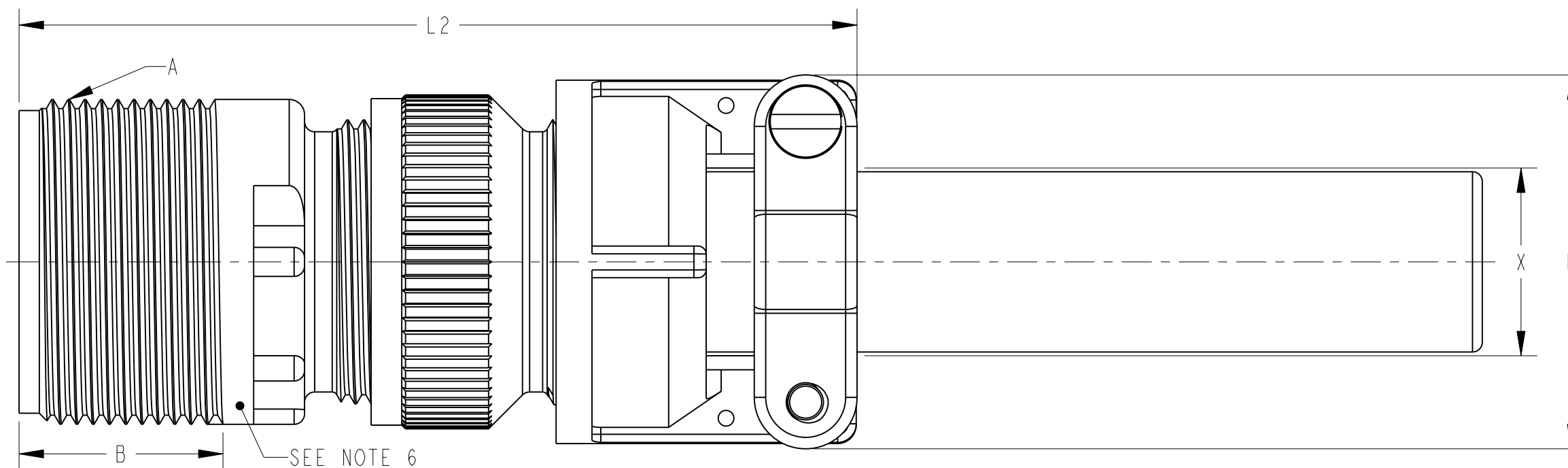
AC()01A()
AC()01E()



AC()01AD()



AC()01PG()



AC()01AF()
AC()01F()

SEE SHEET 19.

NOTES:

THE USE OF THIS DOCUMENT IS UNLIMITED.
HOWEVER, DOCUMENTS REFERENCED HEREON
MAY CONTAIN LIMITED RIGHTS DATA.

SIZE C	FSCM NO. 77820	DOCUMENT NO. AC SERIES	REV. G
SCALE: NONE	REF: N/A	SHEET 5 OF 20	

AC()01()

SHELL SIZE	A THREAD CLASS 2A	B MIN. FULL THREAD	L REF	L ¹ REF	L ² REF	L ³ REF	P MAX	P ¹ HEX FLATS REF	PGA REF	PGR REF	V THREAD PLATED CLASS 2 A	X MAX O.D. CABLE
10SL	.6250-24 UNEF	.406	2.129	3.010	2.189	1.468	.894	.750	.150/.320	.070/.240	.6250-24 UNEF	.312
12S	.7500-20 UNEF	.422	2.129	3.010	2.261	1.468	.894	.750	.150/.320	.070/.240	.6250-24 UNEF	.312
12	.7500-20 UNEF	.656	2.524	3.500	2.644	1.468	.894	.750	.150/.320	.070/.240	.6250-24 UNEF	.312
14S	.8750-20 UNEF	.391	2.201	3.188	2.261	1.468	1.083	.880	.190/.390	.110/.280	.7500-20 UNEF	.438
14	.8750-20 UNEF	.625	2.524	3.641	2.644	1.468	1.083	.880	.190/.390	.110/.280	.7500-20 UNEF	.438
16S	1.0000-20 UNEF	.391	2.201	3.265	2.266	1.468	1.181	.940	.230/.470	.190/.350	.8750-20 UNEF	.531
16	1.0000-20 UNEF	.625	2.524	3.718	2.644	1.468	1.181	.940	.230/.470	.190/.350	.8750-20 UNEF	.531
18	1.1250-18 UNEF	.625	2.596	3.718	2.716	1.938	1.300	.940	.230/.470	.190/.350	1.0000-20 UNEF	.625
20	1.2500-18 UNEF	.625	2.654	3.798	2.774	1.844	1.487	1.060	.390/.560	.270/.470	1.1875-18 UNEF	.750
22	1.3750-18 UNEF	.625	2.654	4.080	2.916	1.938	1.487	1.060	.390/.560	.270/.470	1.1875-18 UNEF	.750
24	1.5000-18 UNEF	.625	2.885	4.142	3.051	1.970	1.712	1.060	.390/.560	.270/.470	1.4375-18 UNEF	.938
28	1.7500-18 UNS	.625	2.885	4.291	3.140	2.189	1.712	1.300	.510/.710	.350/.630	1.4375-18 UNEF	.938
32	2.0000-18 UNS	.625	2.943	4.643	3.184	2.261	2.063	1.650	.700/.980	.510/.790	1.7500-18 UNS	1.250
36	2.2500-16 UN	.625	2.943	4.643	3.245	2.219	2.283	1.650	.700/.980	.510/.790	2.0000-18 UNS	1.375
40	2.5000-16 UN	.625	3.068	5.635	3.670	2.188	2.688	1.650	.700/.980	.510/.790	2.2500-16 UN	1.625

SEE SHEET 19.

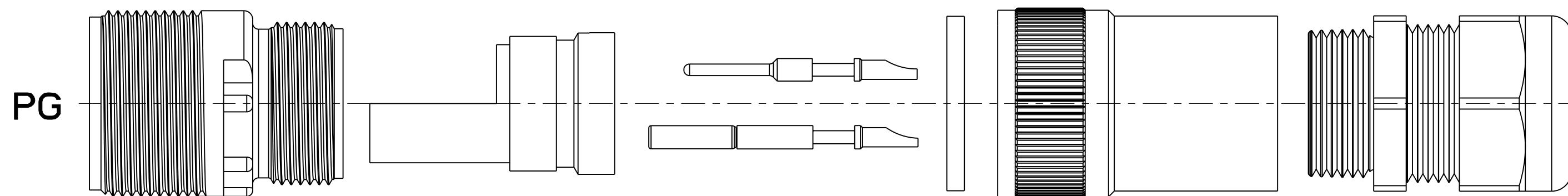
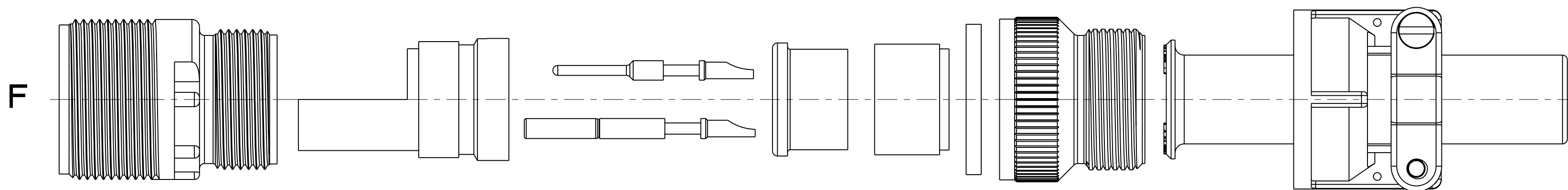
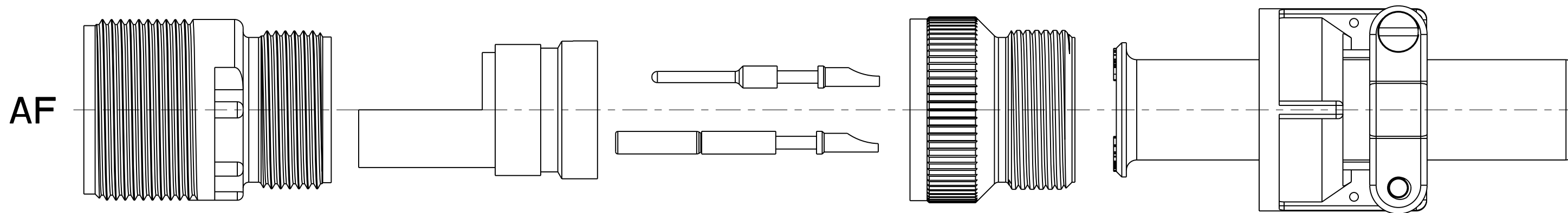
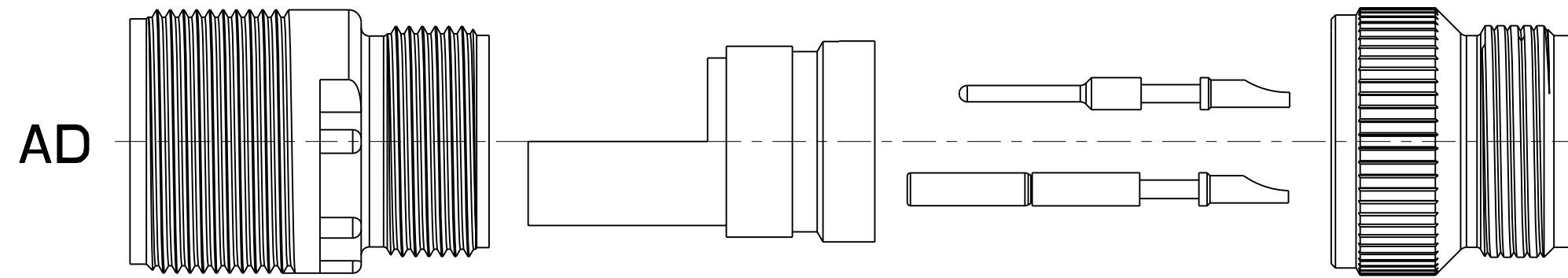
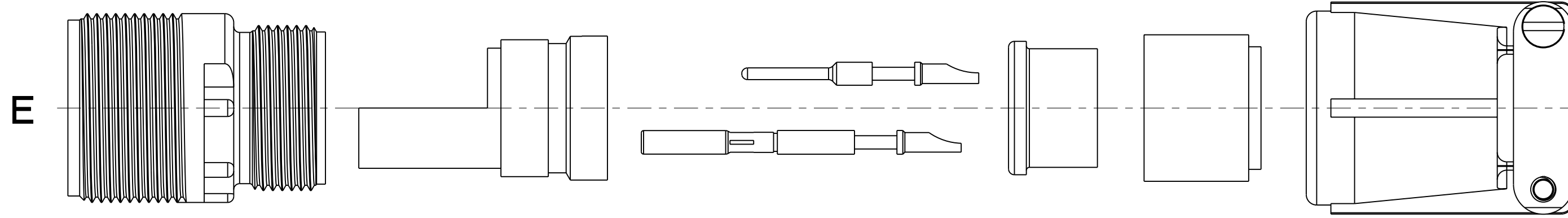
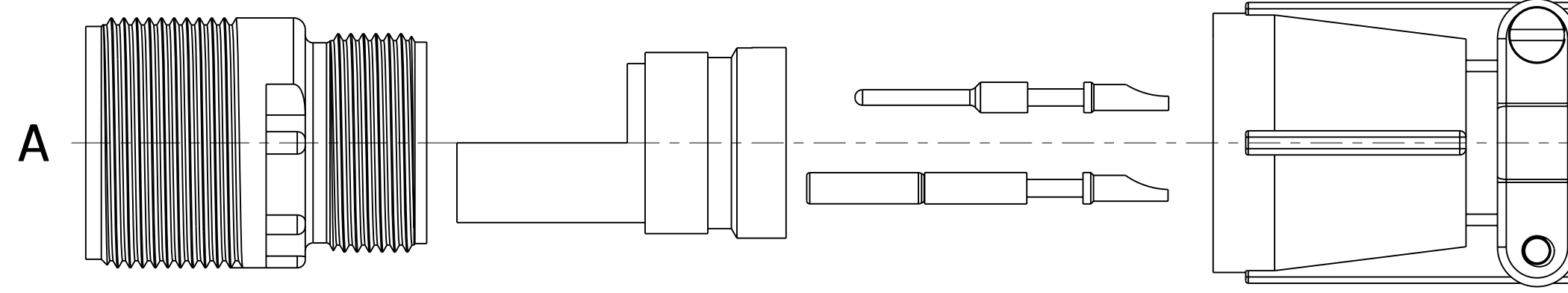
NOTES:

THE USE OF THIS DOCUMENT IS UNLIMITED.
HOWEVER, DOCUMENTS REFERENCED HEREON
MAY CONTAIN LIMITED RIGHTS DATA.

SIZE C	FSCM NO. 77820	DOCUMENT NO. AC SERIES	REV. G
SCALE: NONE	REF: N/A	SHEET 6 OF 20	

6 OF 19
 AC SERIES
 DOC NO

AC()01()



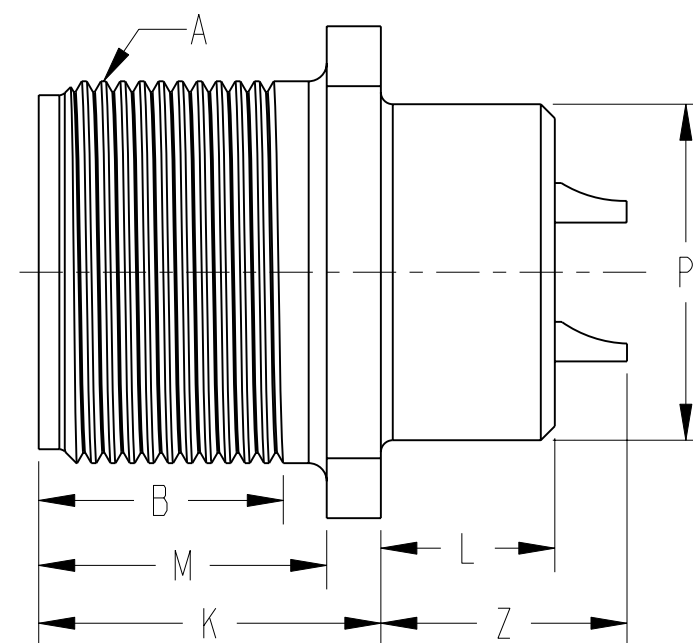
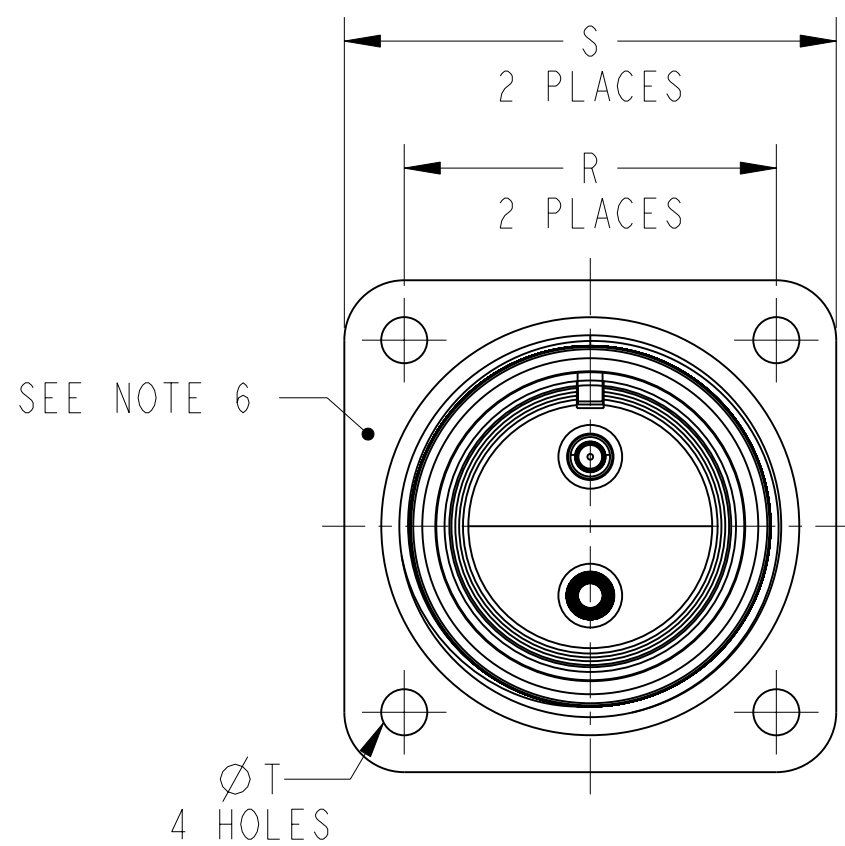
SEE SHEET 19.

NOTES:

THE USE OF THIS DOCUMENT IS UNLIMITED.
 HOWEVER, DOCUMENTS REFERENCED HEREON
 MAY CONTAIN LIMITED RIGHTS DATA.

SIZE C	FSCM NO. 77820	DOCUMENT NO. AC SERIES	REV. G
SCALE: 1:3	REF: N/A	SHEET 7 OF 20	

AC()02()



AC()02A()

AC()02E()

SHELL SIZE	A THREAD CLASS 2A	B MIN. FULL THREAD	K +.020 -.010	L +.000 -.010	M +.010 -.000	P DIA +.010 -.000	R ±.005	S ±.010	T DIA +.004 -.002	Z MAX**
10SL	.6250-24 UNEF	.391	.672	.297	.562	.625	.719	1.000	.120	.519
12S	.7500-20 UNEF	.450	.672	.297	.562	.625	.812	1.094	.120	.519
12	.7500-20 UNEF	.625	.860	.484	.750	.625	.812	1.094	.120	.722
14S	.8750-20 UNEF	.450	.672	.297	.562	.750	.906	1.188	.120	.519
14	.8750-20 UNEF	.625	.860	.484	.750	.750	.906	1.188	.120	.722
16S	1.0000-20 UNEF	.450	.672	.297	.562	.875	.969	1.281	.120	.519
16	1.0000-20 UNEF	.625	.860	.484	.750	.875	.969	1.281	.120	.722
18	1.1250-18 UNEF	.625	.891	.453	.750	1.000	1.063	1.375	.120	.691
20	1.2500-18 UNEF	.625	.891	.453	.750	1.125	1.156	1.500	.120	.691
22	1.3750-18 UNEF	.625	.891	.453	.750	1.250	1.250	1.625	.120	.691
24	1.5000-18 UNEF	.625	.953	.453	.812	1.375	1.375	1.750	.147	.628
28	1.7500-18 UNS	.625	.953	.453	.812	1.625	1.562	2.000	.147	.628
32	2.0000-18 UNS	.625	1.031	.438	.875	1.875	1.750	2.250	.173	.550
36	2.2500-16 UN	.625	1.031	.438	.875	2.062	1.938	2.500	.173	.550
40	2.5000-16 UN	.625	1.031	.438	.875	2.312	2.188	2.750	.173	.550

** INCREASE Z DIMENSION BY .312 FOR SIZE "0" CONTACT ONLY.

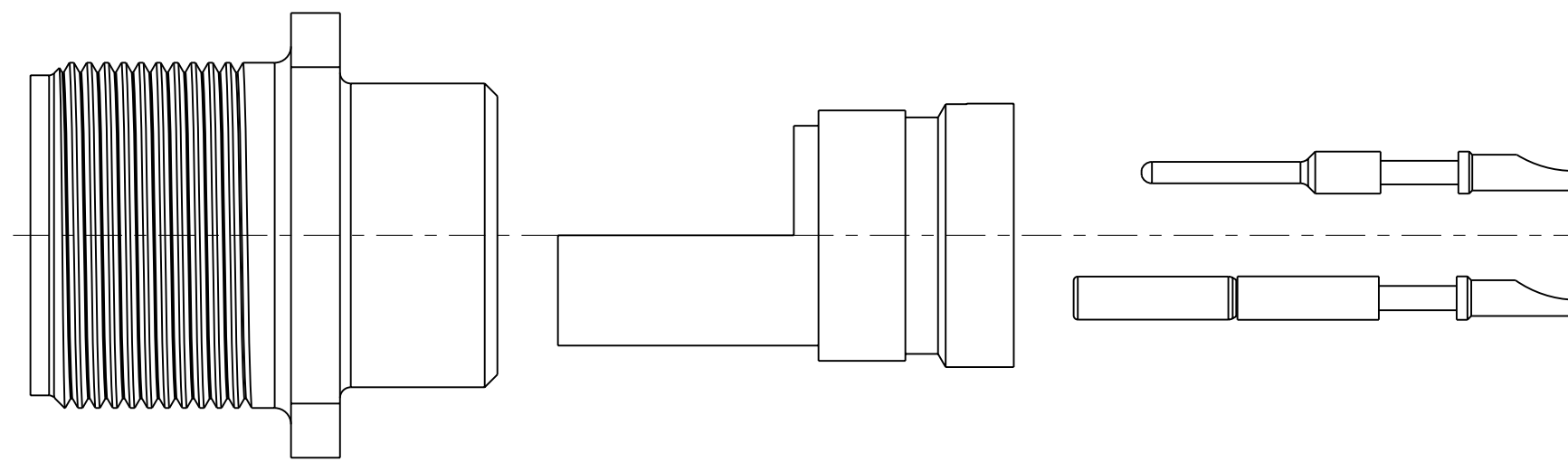
SEE SHEET 19.

NOTES:

THE USE OF THIS DOCUMENT IS UNLIMITED.
HOWEVER, DOCUMENTS REFERENCED HEREON
MAY CONTAIN LIMITED RIGHTS DATA.

SIZE C	FSCM NO. 77820	DOCUMENT NO. AC SERIES	REV. G
SCALE: NONE	REF: N/A	SHEET 8 OF 20	

AC()02()



SEE SHEET 19.

NOTES:

THE USE OF THIS DOCUMENT IS UNLIMITED.
 HOWEVER, DOCUMENTS REFERENCED HEREON
 MAY CONTAIN LIMITED RIGHTS DATA.

SIZE C	FSCM NO. 77820	DOCUMENT NO. AC SERIES	REV. G
SCALE: NONE	REF: N/A	SHEET 9 OF 20	

AC SERIES
 SHEET 9 OF 19

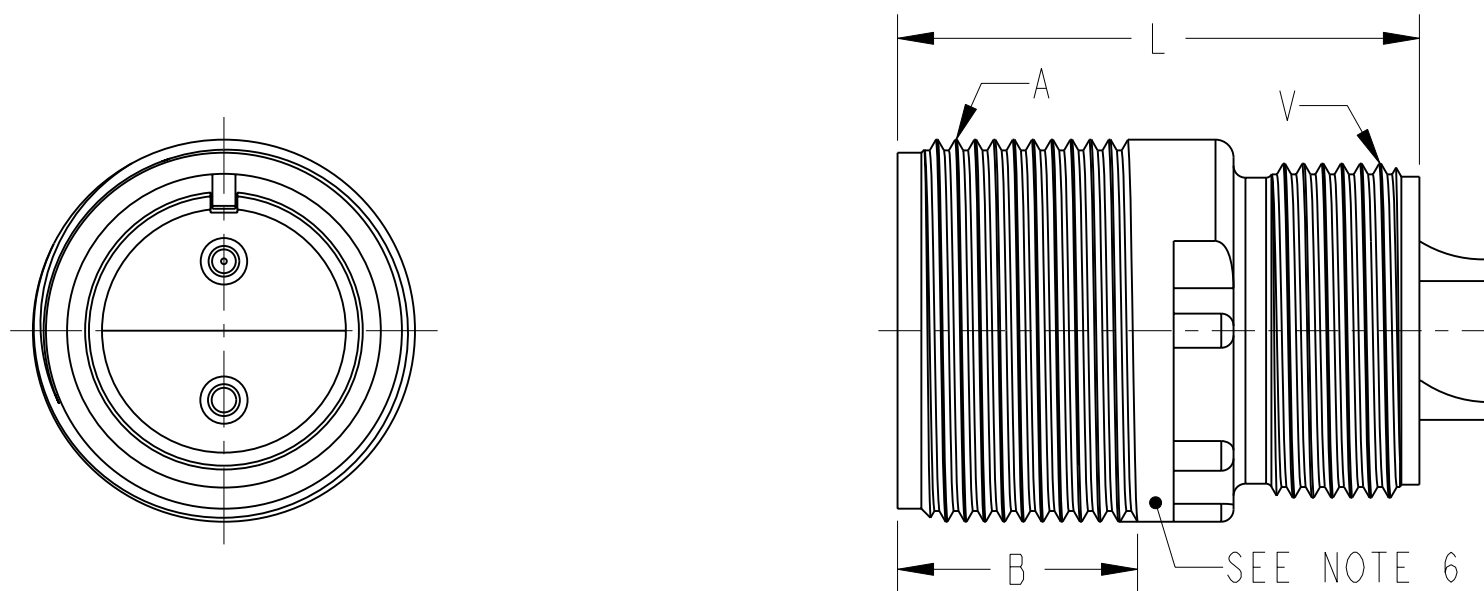
D

C

B

A

AC()04()



AC()04A()
 AC()04E()

SHELL SIZE	A THREAD CLASS 2A	B MIN. FULL THREAD	L REF	V THREAD CLASS 2A
10SL	.6250-24 UNEF	.406	.969	.6250-24 UNEF
12S	.7500-20 UNEF	.422	.969	.6250-24 UNEF
12	.7500-20 UNEF	.656	1.344	.6250-24 UNEF
14S	.8750-20 UNEF	.391	.969	.7500-20 UNEF
14	.8750-20 UNEF	.625	1.344	.7500-20 UNEF
16S	1.0000-20 UNEF	.391	.969	.8750-20 UNRF
16	1.0000-20 UNEF	.625	1.344	.8750-20 UNEF
18	1.1250-18 UNEF	.625	1.344	1.0000-20 UNEF
20	1.2500-18 UNEF	.625	1.344	1.1250-18 UNEF
22	1.3750-18 UNEF	.625	1.344	1.2500-18 UNEF
24	1.5000-18 UNEF	.625	1.406	1.3750-18 UNEF
28	1.7500-18 UNS	.625	1.406	1.6250-18 UNEF
32	2.0000-18 UNS	.625	1.469	1.8750-16 UN
36	2.2500-16 UN	.625	1.469	2.0625-16 UN
40	2.5000-16 UN	.625	1.469	2.3125-16 UN

SEE SHEET 19.

NOTES:

THE USE OF THIS DOCUMENT IS UNLIMITED.
 HOWEVER, DOCUMENTS REFERENCED HEREON
 MAY CONTAIN LIMITED RIGHTS DATA.

SIZE C	FSCM NO. 77820	DOCUMENT NO. AC SERIES	REV. G
SCALE: NONE	REF: N/A	SHEET 10 OF 20	

SH 10 OF 19

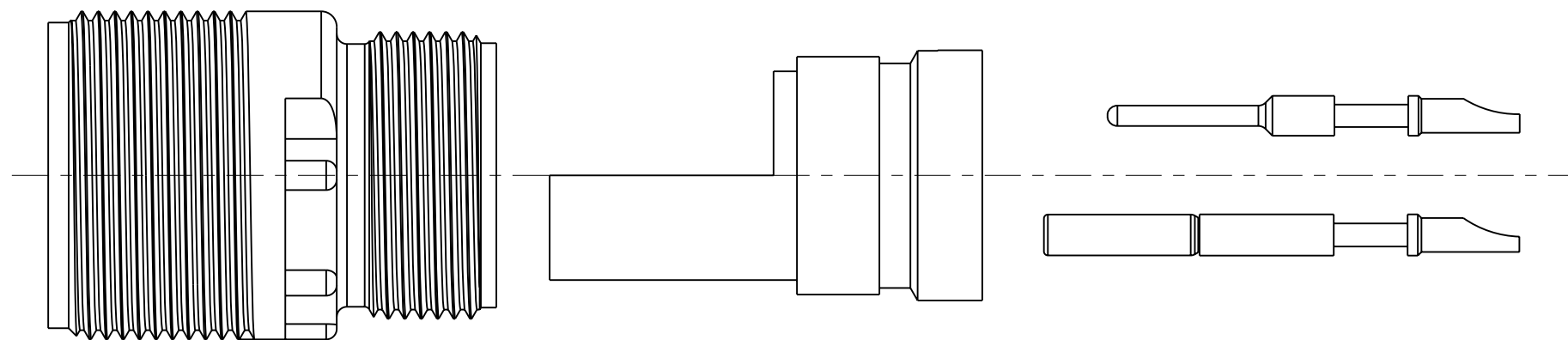
AC SERIES

DOC NO

A

TAB

AC()04()



SEE SHEET 19.

NOTES:

THE USE OF THIS DOCUMENT IS UNLIMITED.
 HOWEVER, DOCUMENTS REFERENCED HEREON
 MAY CONTAIN LIMITED RIGHTS DATA.

SIZE C	FSCM NO. 77820	DOCUMENT NO. AC SERIES	REV. G
SCALE: NONE	REF: N/A	SHEET 11 OF 20	

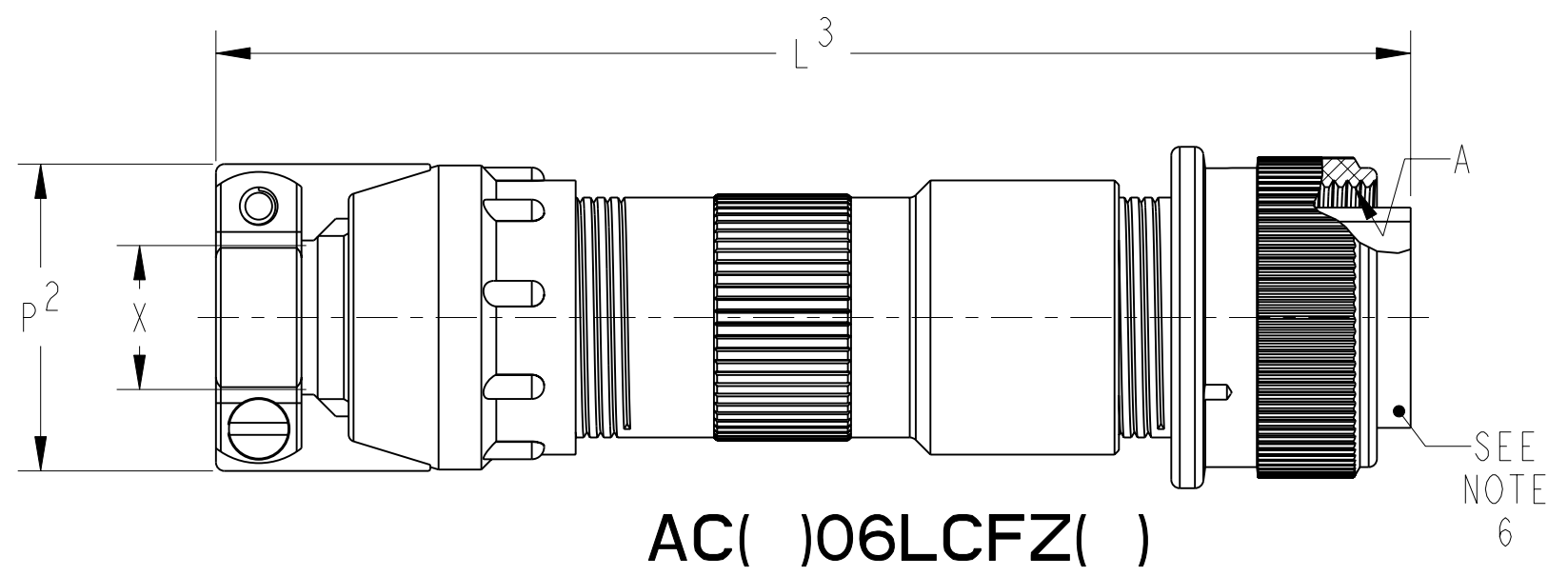
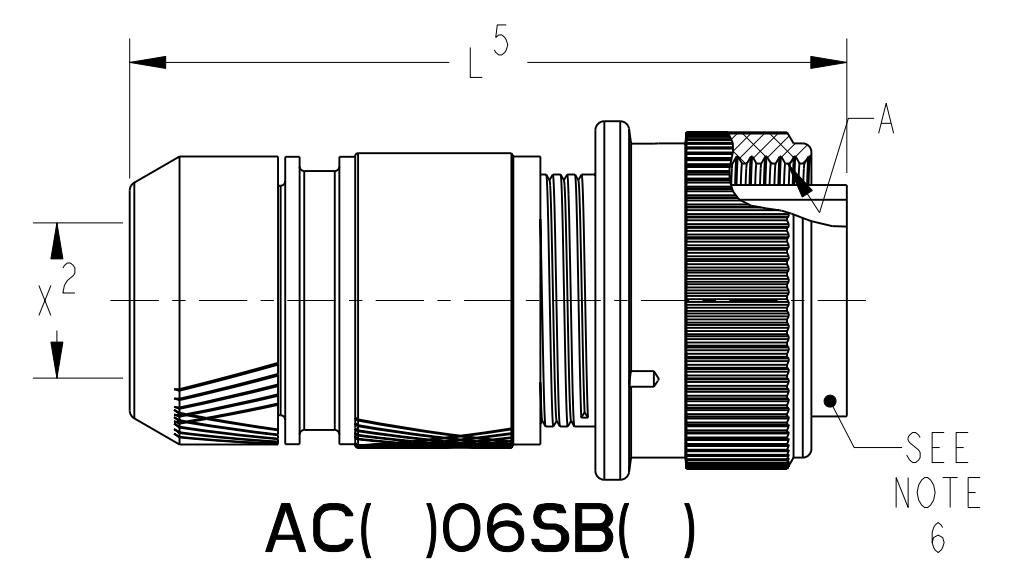
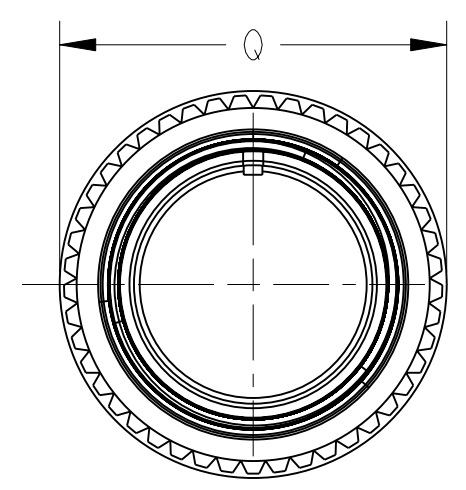
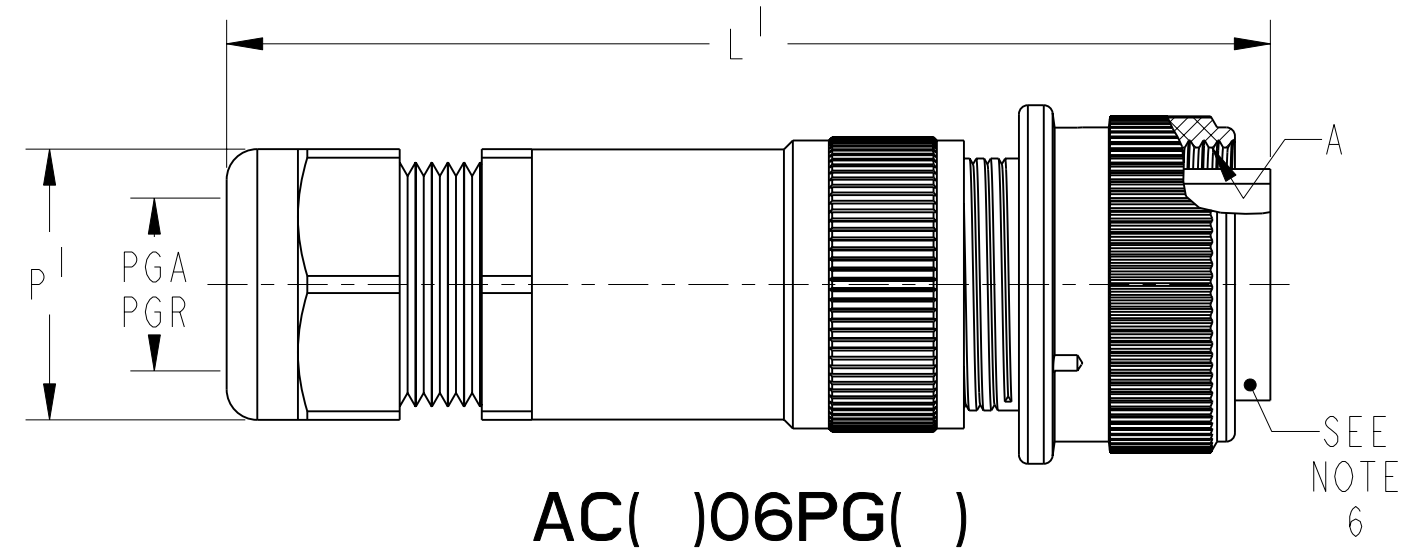
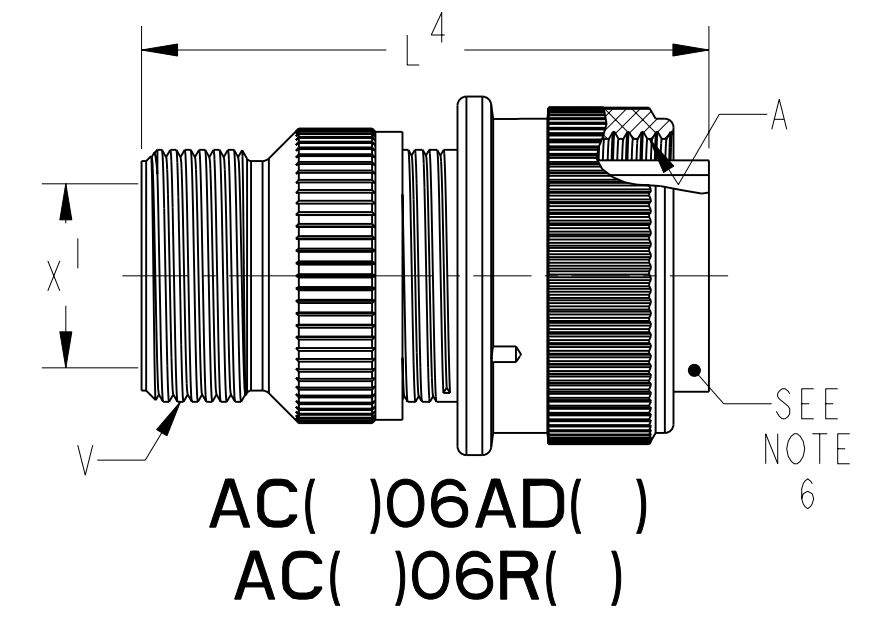
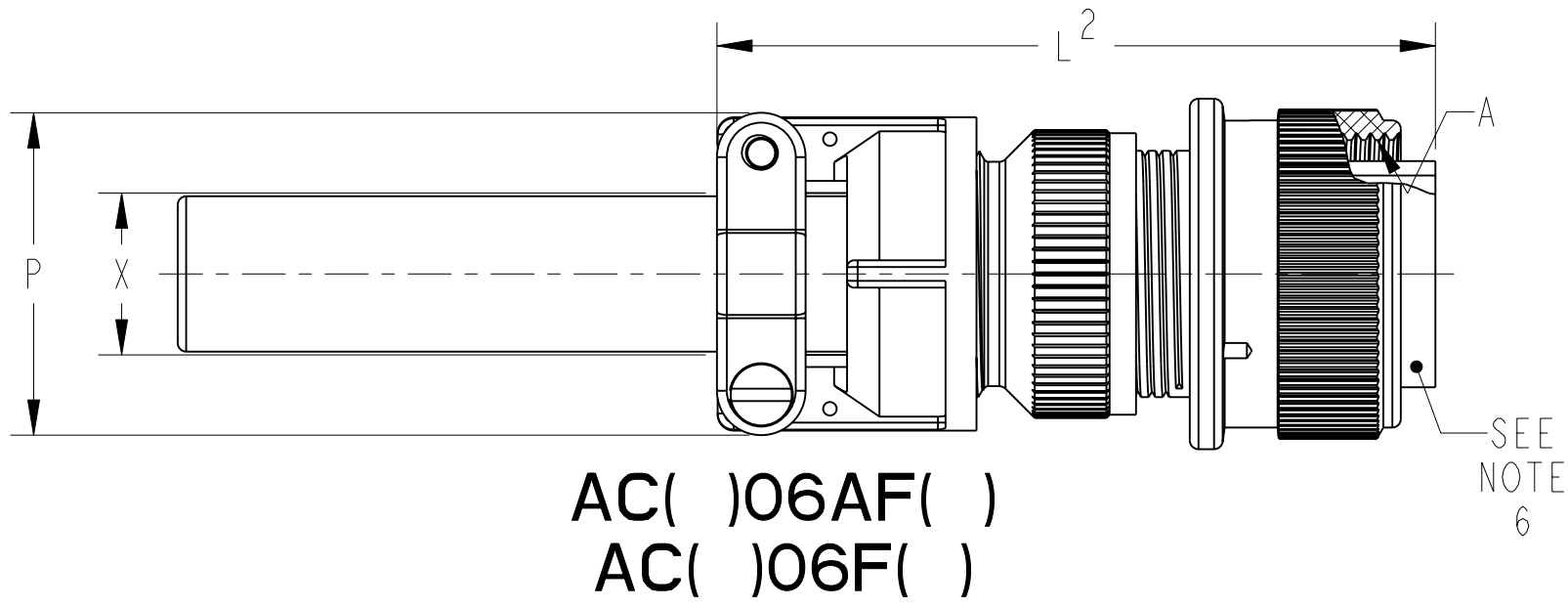
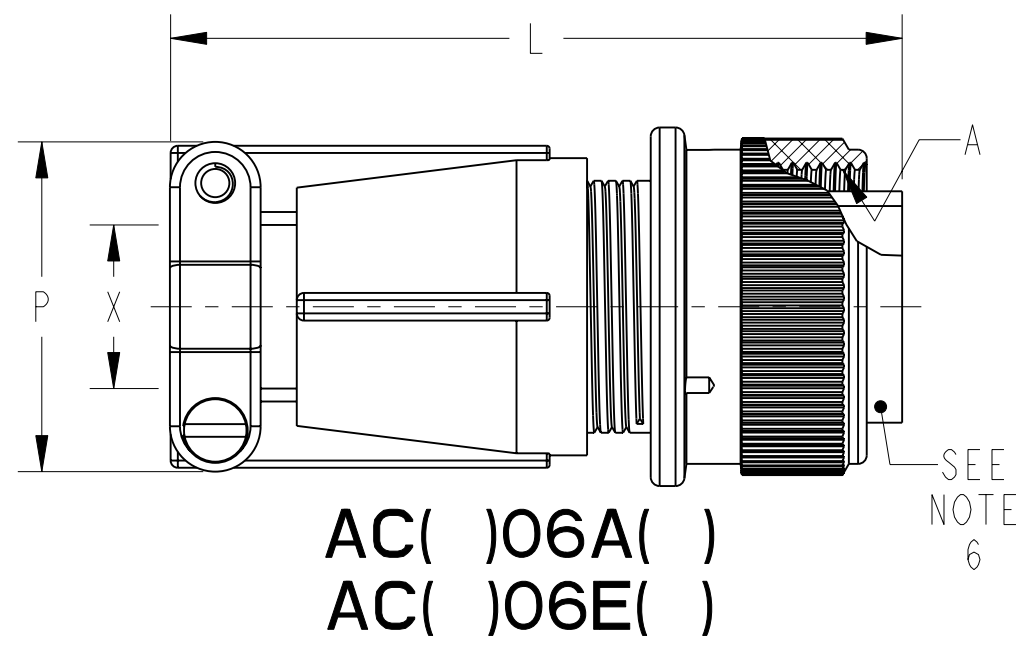
TAB

SH 11 OF 19

AC SERIES

DOC NO

AC()06()



SEE SHEET 19.

NOTES:

THE USE OF THIS DOCUMENT IS UNLIMITED.
HOWEVER, DOCUMENTS REFERENCED HEREON
MAY CONTAIN LIMITED RIGHTS DATA.

SIZE C	FSCM NO. 77820	DOCUMENT NO. AC SERIES	REV. G
SCALE: NONE	REF: N/A	SHEET 12 OF 20	

AC()06()

SHELL SIZE	A THREAD CLASS 2A	L MAX	L ¹ MAX	L ² MAX	L ³ REF	L ⁴ MAX	L ⁵ REF	P MAX	P ¹ HEX FLATS REF	P ² MAX	PGA REF	PGR REF	Q MAX	V THREAD CLASS 2A	X MAX O.D. CABLE	X ¹ DIA. MIN.	X ² DIA. MIN.
10SL	.6250-24 UNEF	2.129	3.010	2.189	3.811	1.969	2.034	.894	.750	.906	.150/.320	.070/.240	.946	.6250-24 UNEF	.312	.409	.303
12S	.7500-20 UNEF	2.129	3.010	2.261	NA	NA	NA	.894	.750	.906	.150/.320	.070/.240	.995	NOT AVAILABLE	.312	NA	NA
12	.7500-20 UNEF	2.524	3.500	2.644	NA	NA	NA	.894	.750	.906	.150/.320	.070/.240	.995	NOT AVAILABLE	.312	NA	NA
14S	.8750-20 UNEF	2.201	3.188	2.261	3.842	1.969	2.049	1.083	.880	1.031	.190/.390	.110/.280	1.123	.7500-20 UNEF	.438	.520	.417
14	.8750-20 UNEF	2.524	3.641	2.644	NA	NA	NA	1.083	.880	1.031	.190/.390	.110/.280	1.123	NOT AVAILABLE	.438	NA	NA
16S	1.0000-20 UNEF	2.201	3.265	2.266	3.842	1.969	2.049	1.181	.940	1.125	.230/.470	.190/.350	1.250	.8750-20 UNEF	.531	.638	.531
16	1.0000-20 UNEF	2.524	3.718	2.644	4.216	2.362	2.505	1.181	.940	1.125	.230/.470	.190/.350	1.250	.8750-20 UNEF	.531	.638	.531
18	1.1250-18 UNEF	2.596	3.718	2.716	4.409	2.362	2.552	1.300	.940	1.234	.230/.470	.190/.350	1.333	1.0000-20 UNEF	.625	.756	.637
20	1.2500-18 UNEF	2.654	3.798	2.774	4.409	2.362	2.552	1.487	1.060	1.484	.390/.560	.270/.470	1.461	1.1875-18 UNEF	.750	.866	.736
22	1.3750-18 UNEF	2.654	4.080	2.916	4.413	2.362	2.418	1.487	1.060	1.484	.390/.560	.270/.470	1.588	1.1875-18 UNEF	.750	.965	.819
24	1.5000-18 UNEF	2.885	4.142	3.051	4.535	2.559	2.632	1.712	1.060	1.671	.390/.560	.270/.470	1.715	1.4375-18 UNEF	.938	1.094	.981
28	1.7500-18 UNS	2.885	4.291	3.140	4.756	2.559	2.566	1.712	1.300	1.671	.510/.710	.350/.630	1.968	1.4375-18 UNEF	.938	1.228	1.067
32	2.0000-18 UNS	2.943	4.643	3.184	5.079	2.559	2.628	2.063	1.650	2.188	.700/.980	.510/.790	2.209	1.7500-18 UNS	1.250	1.488	1.311
36	2.2500-16 UN	2.943	4.643	3.245	5.327	3.150	2.676	2.283	1.650	2.344	.700/.980	.510/.790	2.463	2.0000-18 UNS	1.375	1.780	1.631
40	2.5000-16 UN	3.068	5.635	3.670	5.327	3.150	2.628	2.688	1.650	2.594	.700/.980	.510/.790	2.718	2.2500-16 UN	1.625	2.016	1.882

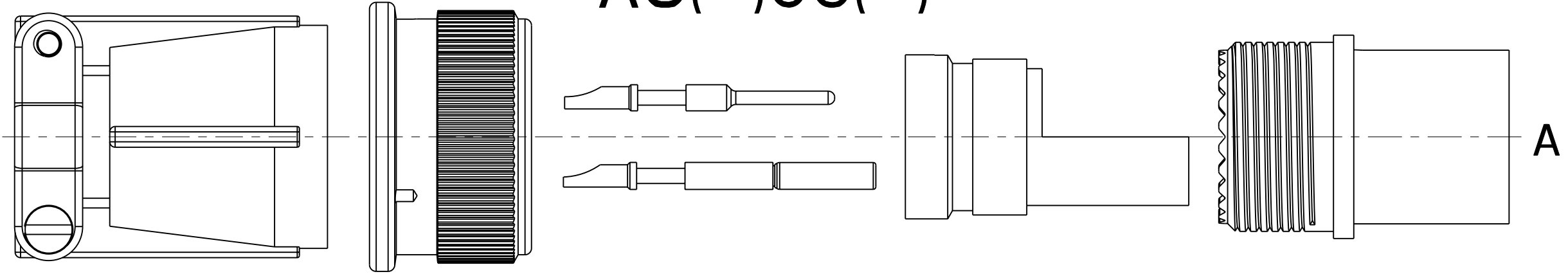
SEE SHEET 19.

NOTES:

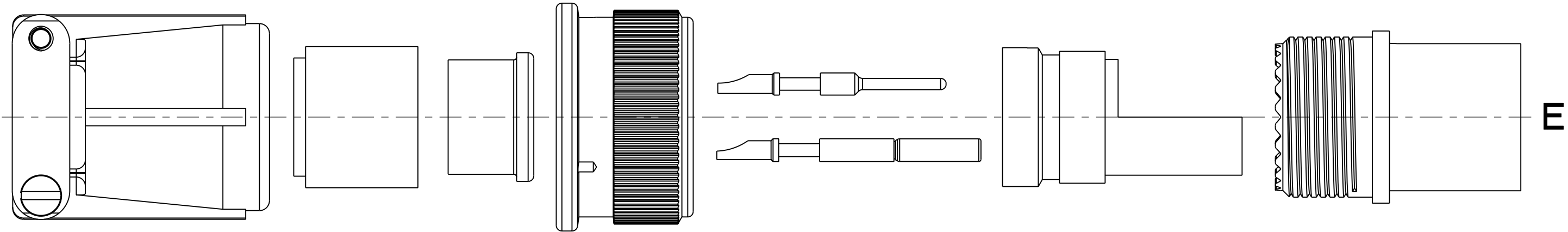
THE USE OF THIS DOCUMENT IS UNLIMITED.
HOWEVER, DOCUMENTS REFERENCED HEREON
MAY CONTAIN LIMITED RIGHTS DATA.

SIZE C	FSCM NO. 77820	DOCUMENT NO. AC SERIES	REV. G
SCALE: NONE	REF: N/A	SHEET 13 OF 20	

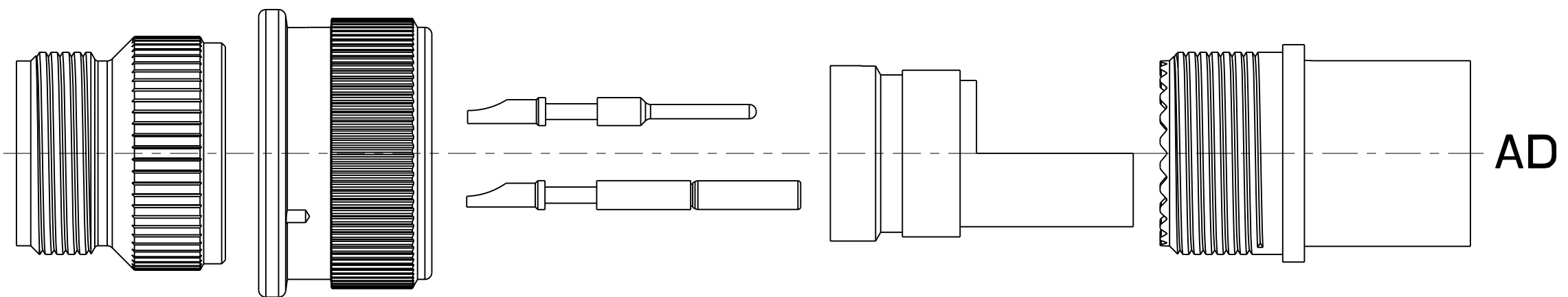
AC()06()



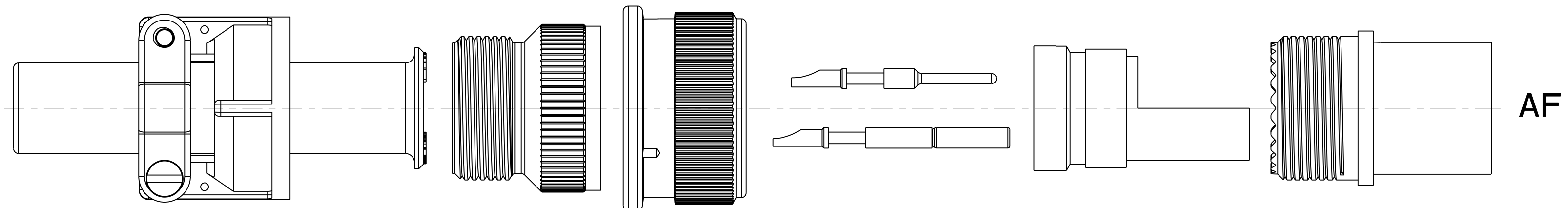
A



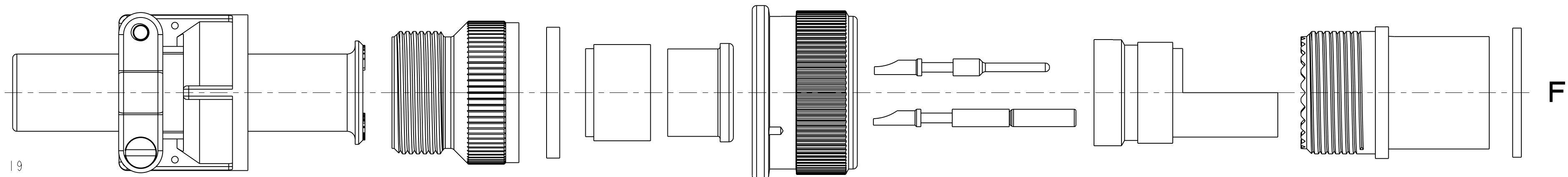
E



AD



AF



T

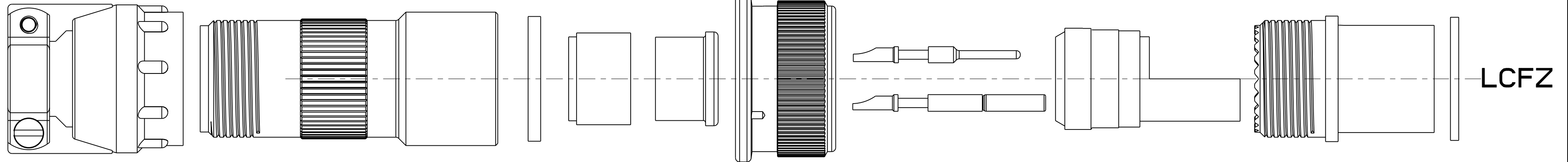
SEE SHEET 19

NOTES:

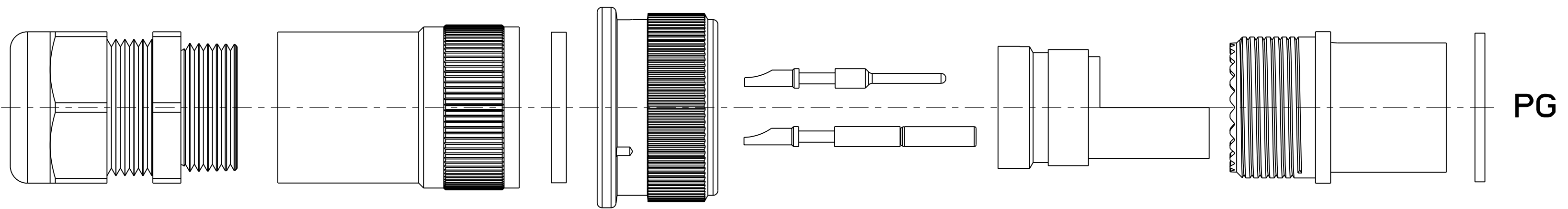
THE USE OF THIS DOCUMENT IS UNLIMITED.
HOWEVER, DOCUMENTS REFERENCED HEREON
MAY CONTAIN LIMITED RIGHTS DATA.

SIZE C	FSCM NO. 77820	DOCUMENT NO. AC SERIES	REV. G
SCALE: 1.0	REF: N/A	SHEET 14 OF 20	

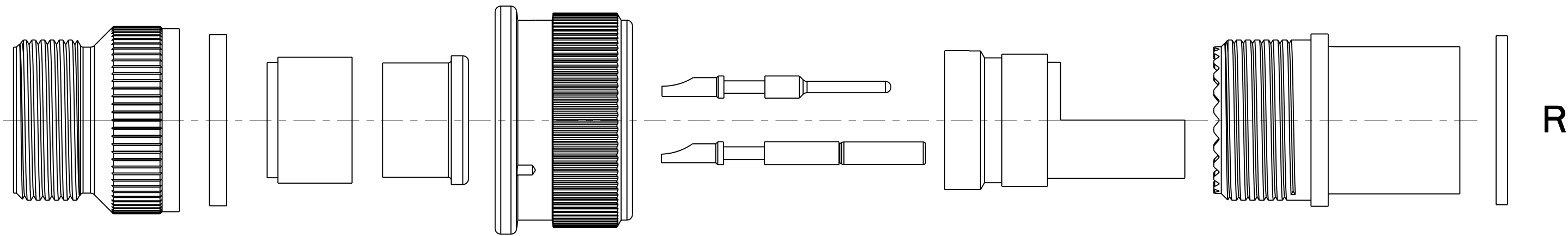
AC()06()



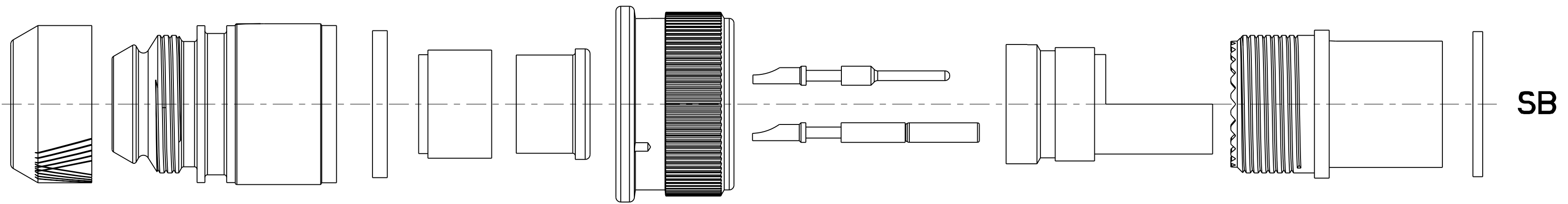
LCFZ



PG



R



SB

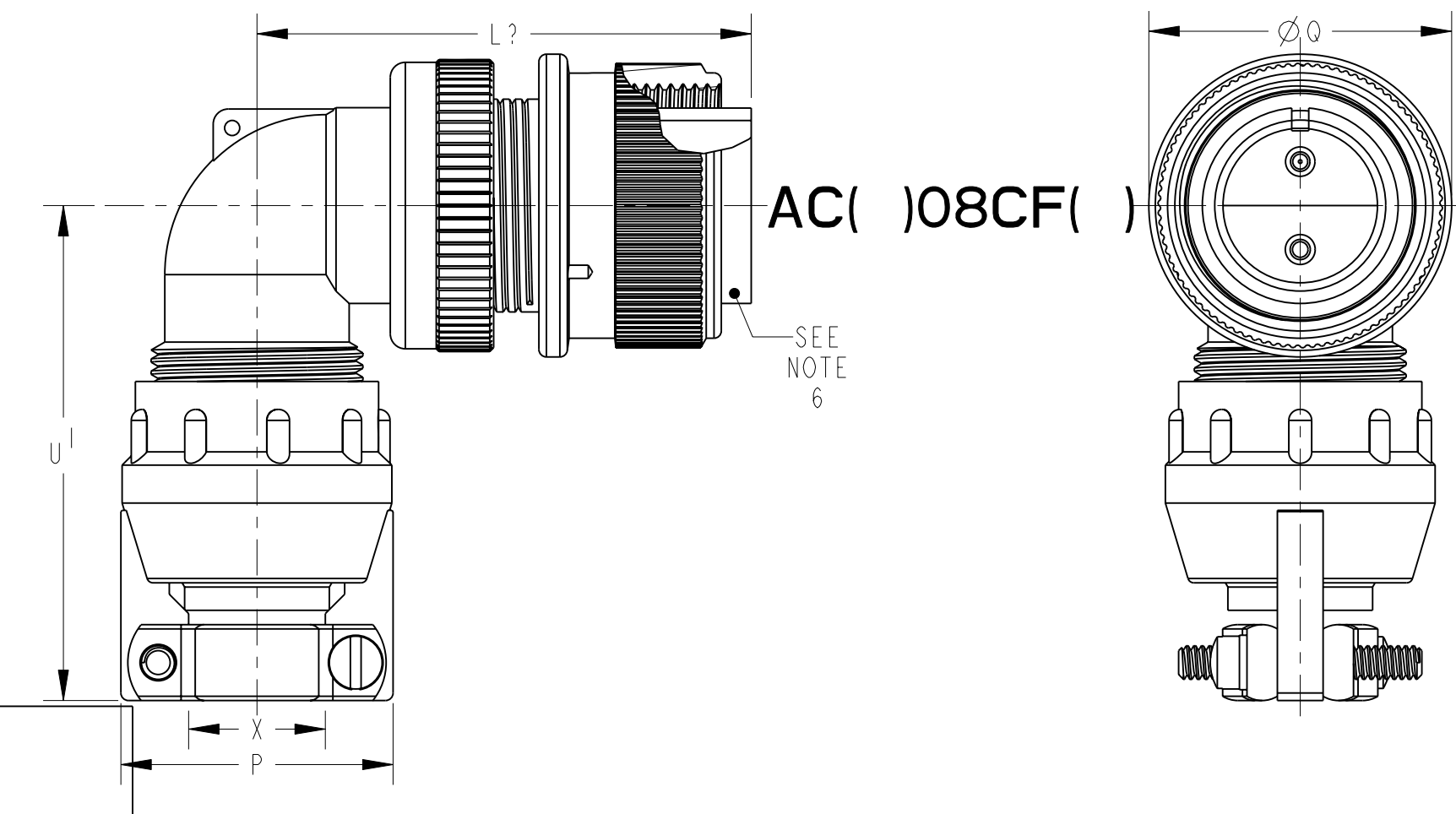
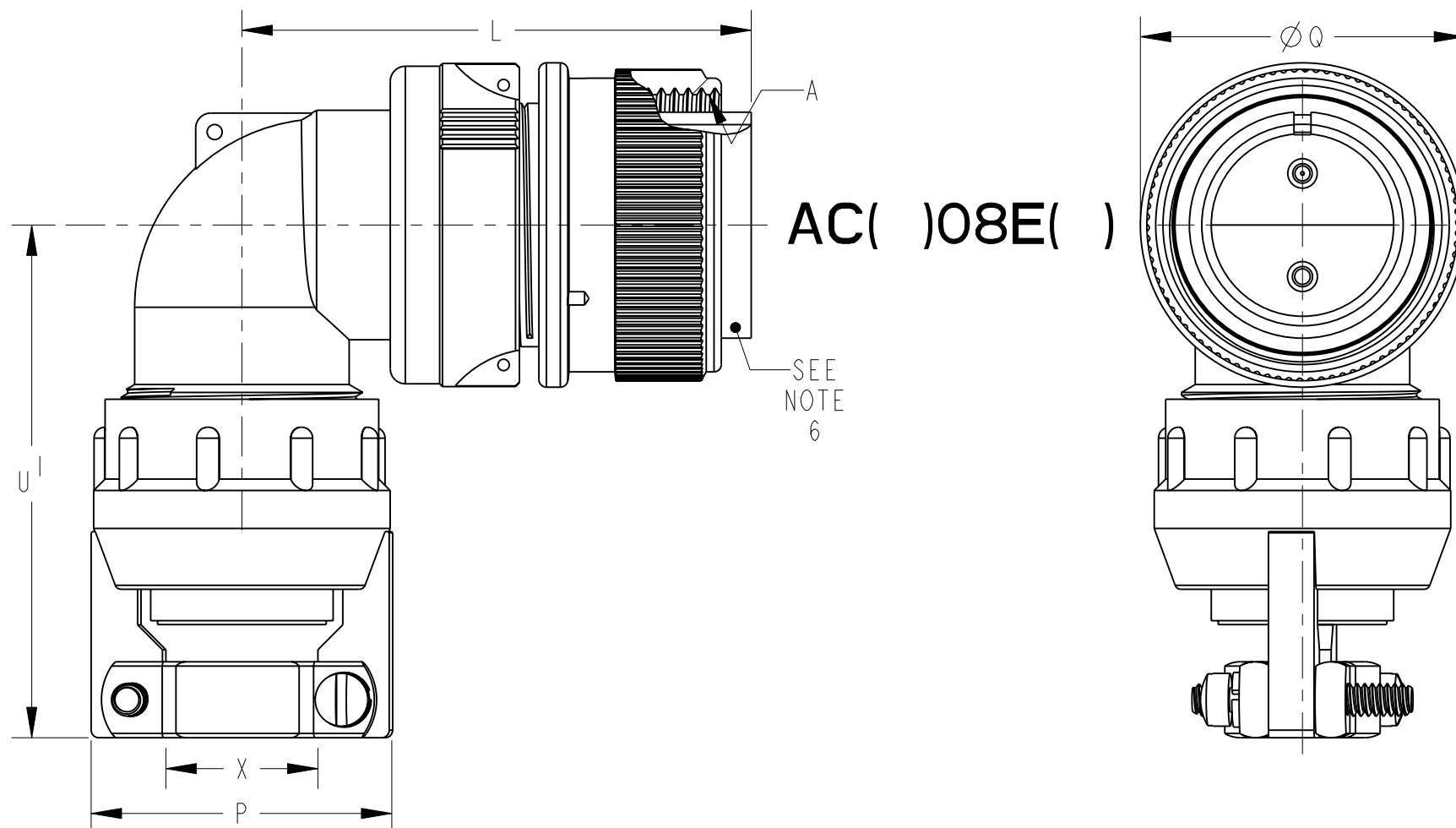
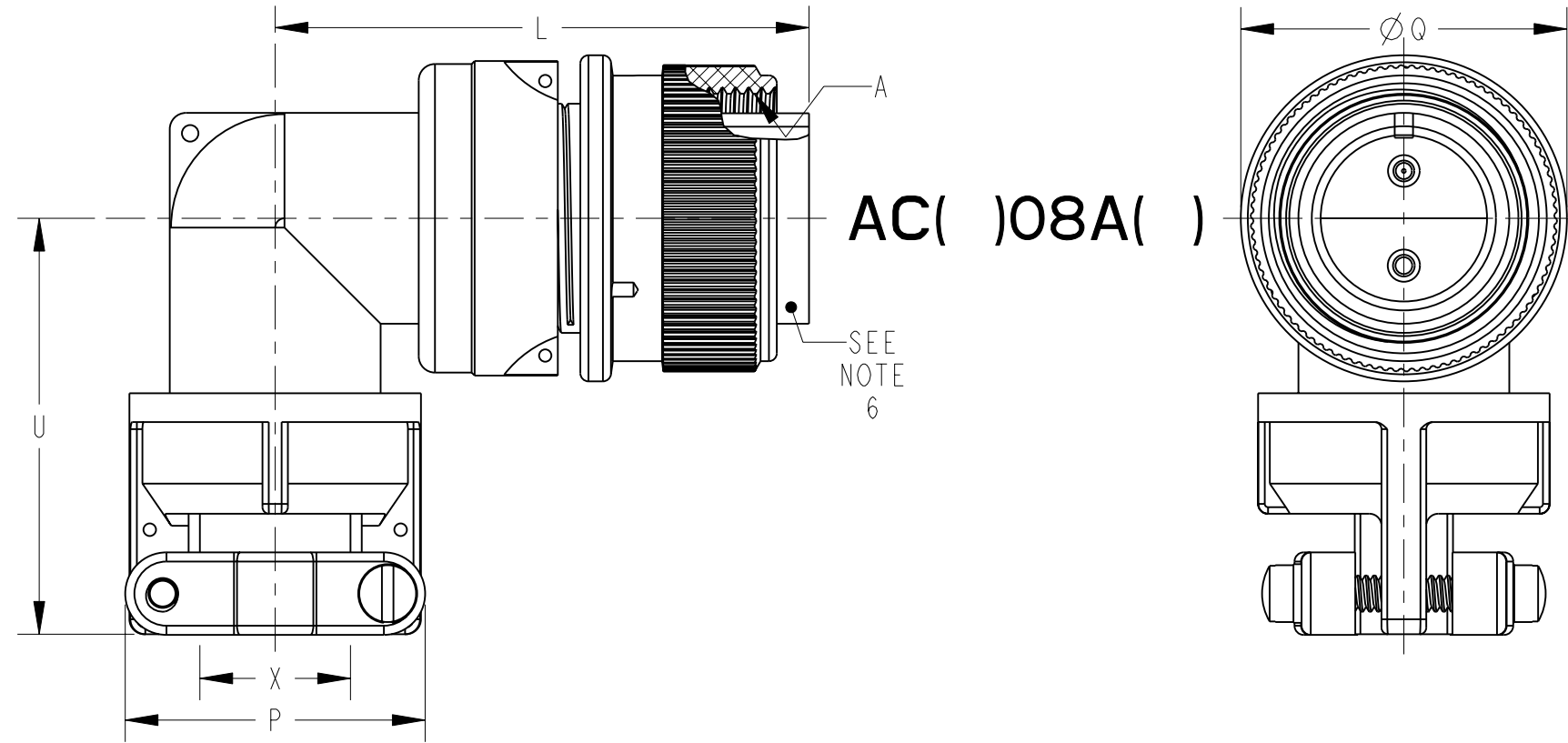
SEE SHEET 19.

NOTES:

THE USE OF THIS DOCUMENT IS UNLIMITED.
HOWEVER, DOCUMENTS REFERENCED HEREON
MAY CONTAIN LIMITED RIGHTS DATA.

SIZE C	FSCM NO. 77820	DOCUMENT NO. AC SERIES	REV. G
SCALE: 1.0	REF: N/A	SHEET 15 OF 20	

AC()08()



SEE SHEET 19

NOTES:

THE USE OF THIS DOCUMENT IS UNLIMITED.
 HOWEVER, DOCUMENTS REFERENCED HEREON
 MAY CONTAIN LIMITED RIGHTS DATA.

SIZE C	FSCM NO. 77820	DOCUMENT NO. AC SERIES	REV. G
SCALE: NONE	REF: N/A	SHEET 16 OF 20	

AC()08()

SHELL SIZE	A THREAD CLASS 2B	L MAX	L ^I MAX	P MAX	Q DIA MAX	U MAX	U ^I MAX	X MAX O.D. CABLE
10SL	.6250-24 UNEF	1.492	1.492	.906	.946	1.305	1.812	.312
12S	.7500-20 UNEF	1.492	1.492	.906	.995	1.305	1.812	.312
12	.7500-20 UNEF	1.867	1.867	.906	.995	1.305	1.812	.312
14S	.8750-20 UNEF	1.556	1.556	1.031	1.123	1.485	1.875	.438
14	.8750-20 UNEF	1.931	1.931	1.031	1.123	1.485	1.875	.438
16S	1.0000-20 UNEF	1.682	1.682	1.125	1.250	1.612	1.937	.531
16	1.0000-20 UNEF	2.057	2.057	1.125	1.250	1.612	1.937	.531
18	1.1250-18 UNEF	2.119	2.119	1.234	1.333	1.738	2.109	.625
20	1.2500-18 UNEF	2.369	2.322	1.484	1.461	1.800	2.187	.750
22	1.3750-18 UNEF	2.369	2.322	1.484	1.588	1.862	2.250	.750
24	1.5000-18 UNEF	2.620	2.510	1.683	1.715	2.100	2.484	.938
28	1.7500-18 UNS	2.620	2.510	1.683	1.968	2.162	2.546	.938
32	2.0000-18 UNS	2.842	2.744	2.188	2.209	2.405	3.045	1.250
36	2.2500-16 UN	2.900	2.869	2.344	2.463	2.536	3.218	1.375
40	2.5000-16 UN	3.025	2.994	2.688	2.719	3.206	3.375	1.625

SEE SHEET 19
NOTES:

THE USE OF THIS DOCUMENT IS UNLIMITED.
HOWEVER, DOCUMENTS REFERENCED HEREON
MAY CONTAIN LIMITED RIGHTS DATA.

SIZE C	FSCM NO. 77820	DOCUMENT NO. AC SERIES	REV. G
SCALE: NONE	REF: N/A	SHEET 17 OF 19	

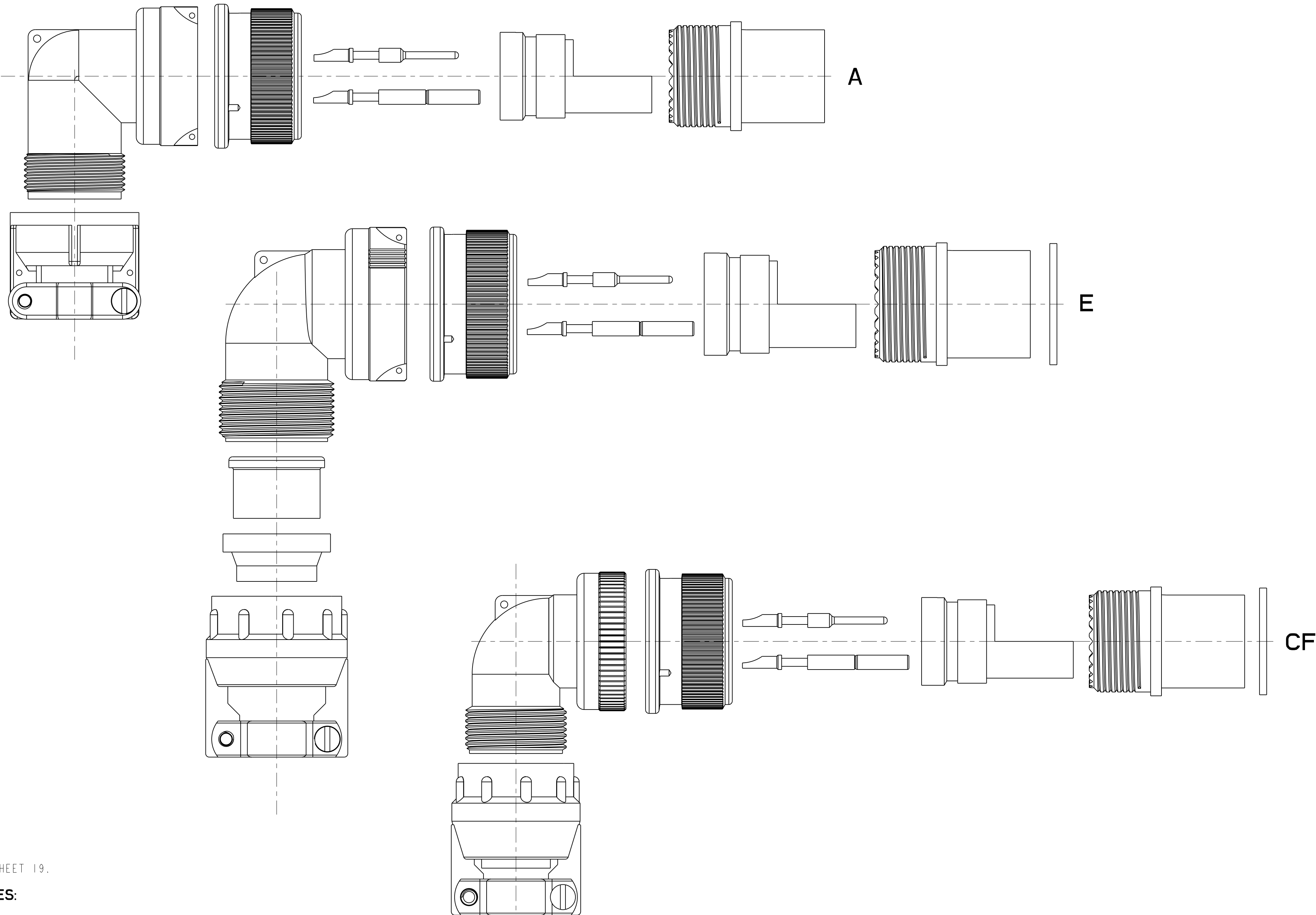
16 OF 19

AC SERIES

DOC NO

TAB.

AC()08()



SEE SHEET 19.

NOTES:

THE USE OF THIS DOCUMENT IS UNLIMITED.
 HOWEVER, DOCUMENTS REFERENCED HEREON
 MAY CONTAIN LIMITED RIGHTS DATA.

SIZE C	FSCM NO. 77820	DOCUMENT NO. AC SERIES	REV. G
SCALE: NONE	REF: N/A	SHEET 18 OF 20	

CRIMP WELL DATA					
CONTACT SIZE	0	4	8	12	16
WELL DIA	.453±.005	.281 ^{+.005} _{-.004}	.179 ^{+.004} _{-.002}	.098 ^{+.004} _{-.001}	.063 ^{+.004} _{-.001}
WELL DEPTH ^{+.031} _{-.000}	.592	.500	.500	.250	.250

SOLDER WELL DATA					
CONTACT SIZE	0	4	8	12	16
WELL DIA	.469 ^{+.005} _{-.003}	.332 ^{+.005} _{-.003}	.209 ^{+.004} _{-.002}	.116 ^{+.004} _{-.002}	.078 ^{+.004} _{-.002}
WELL DEPTH ^{+.031} _{-.000}	.625	.625	.500	.375	.250

7. PROCESS SPECIFICATIONS: (SEE NOTES 8 AND 9)

TYPE	A	E	F	R	AD	AF	LCFZ	PG	SB
ACS00 ACS01 ACS02	ASSEMBLY 9-3103-1 TEST 9-3106-5	ASSEMBLY 9-3238-1 TEST 9-3106-1	ASSEMBLY 9-3238-1 TEST 9-3106-5	ASSEMBLY 9-3238-1 TEST 9-3106-1	ASSEMBLY 9-3103-1 TEST 9-3106-5	ASSEMBLY 9-3103-1 TEST 9-3106-5	ASSEMBLY 9-3238-1 TEST 9-3106-1	ASSEMBLY 9-3238-1 TEST 9-3106-5	ASSEMBLY 9-3238-1 TEST 9-3106-5
ACS06 ACS08	ASSEMBLY 9-3103-1 TEST 9-3106-5	ASSEMBLY 9-3103-1 TEST 9-3106-5	ASSEMBLY 9-3103-1 TEST 9-3106-5	ASSEMBLY 9-3103-1 TEST 9-3106-5	ASSEMBLY 9-3103-1 TEST 9-3106-5	ASSEMBLY 9-3103-1 TEST 9-3106-5	ASSEMBLY 9-3103-1 TEST 9-3106-5	ASSEMBLY 9-3103-1 TEST 9-3106-5	ASSEMBLY 9-3103-1 TEST 9-3106-5
ACC00 ACC01 ACC02	ASSEMBLY 9-3104-1 TEST 9-3106-5	ASSEMBLY 9-3104-1 TEST 9-3106-5	ASSEMBLY 9-3104-1 TEST 9-3106-5	ASSEMBLY 9-3104-1 TEST 9-3106-5	ASSEMBLY 9-3104-1 TEST 9-3106-5	ASSEMBLY 9-3104-1 TEST 9-3106-5	ASSEMBLY 9-3104-1 TEST 9-3106-5	ASSEMBLY 9-3104-1 TEST 9-3106-5	ASSEMBLY 9-3104-1 TEST 9-3106-5
ACC06 ACC08	ASSEMBLY 9-3104-1 TEST 9-3106-5	ASSEMBLY 9-3104-1 TEST 9-3106-5	ASSEMBLY 9-3104-1 TEST 9-3106-5	ASSEMBLY 9-3104-1 TEST 9-3106-5	ASSEMBLY 9-3104-1 TEST 9-3106-5	ASSEMBLY 9-3104-1 TEST 9-3106-5	ASSEMBLY 9-3104-1 TEST 9-3106-5	ASSEMBLY 9-3104-1 TEST 9-3106-5	ASSEMBLY 9-3104-1 TEST 9-3106-5

6. STAMP INDICATED SURFACE IN A CONTRASTING COLOR PER WORK ORDER. IF NOTHING SPECIFIED ON WORK ORDER, STAMP CODED AC NUMBER, "AMPHENOL" AND DATE CODE (PER 9-3895). CHARACTER HEIGHT TO BE .062 MINIMUM.

5. ALL DIMENSIONS ARE FOR REFERENCE ONLY.

4. SEE SPEARATE PART LIST FOR COMPONENT PART NUMBERS AND QUANTITIES.

3. CRIMP CONTACTS ARE SHIPPED UNASSEMBLED.
SOLDER CONTACTS AND ALL INSERTS ARE NOT REMOVABLE.

2. FOR CONTACT SIZE, SPACING AND SERVICE RATING, SEE MIL-STD-1651 OR L-11908/48-().

1. UNIT MEETS ALL APPLICABLE REQUIREMENTS OF MIL-C-5015.

9. IF PART NUMBER CONTAINS MODIFIER "L", SUBSTITUTE ASSEMBLY SPECIFICATIONS 9-5336-5 FOR ACSL() AND 9-5336-1 FOR ACCL().

8. FOR ACC()E, ACC()F, ACC()PG, ACC()R, AND ACC()LCFZ, CONTACTS MUST BE BONDED IN BY CUSTOMER WITH A SUITABLE EPOXY.

NOTES:

THE USE OF THIS DOCUMENT IS UNLIMITED.
HOWEVER, DOCUMENTS REFERENCED HEREON
MAY CONTAIN LIMITED RIGHTS DATA.

SIZE C	FSCM NO. 77820	DOCUMENT NO. AC SERIES	REV. G
SCALE: NONE	REF: N/A	SHEET 19 OF 20	

X-ON Electronics

Largest Supplier of Electrical and Electronic Components

Click to view similar products for [Circular MIL Spec Connector](#) category:

Click to view products by [Amphenol](#) manufacturer:

Other Similar products are found below :

[89075GULPR](#) [0025-262-542](#) [0025-264-3014](#) [58-570121-04S](#) [0134-213-1208](#) [0134-213-2209](#) [0025-258-000](#) [60-042022-07P](#) [60-042022-19P](#)
[60-042022-23P](#) [60-042217-10P](#) [0114-201-1278](#) [012-0467-000](#) [602GB06EG24-61SN](#) [0134-201-1207](#) [0134-213-1006](#) [6104-207-2302](#) [6104-](#)
[208-1902](#) [61-168211-04P](#) [61-168617-10P](#) [6131-202-19149P](#) [6131-204-21149P](#) [6131-208-13149P](#) [6131-209-17149P](#) [6131-210-11149P](#) [6131-](#)
[211-19149P](#) [6131-216-19149P](#) [6131-259-21149P](#) [6131-259-23149P](#) [6131-265-17149P](#) [6131-265-19149P](#) [CS3100A18-1P-472](#) [CS3100A-36-](#)
[77P](#) [CS3101A-16-55P](#) [CS3102A-10SL-55P](#) [CS3102A-14S-58P](#) [CS3102A-32-17P](#) [CS3102A32-25S](#) [CS3102C18-4P-472](#)
[CS3106A10SL3S004](#) [CS3106A-18-73S](#) [CS3108A-14S-52S](#) [CS3108A-28-51S](#) [6162-233-1277](#) [6162-324-1231](#) [M243082296Z](#)
[M2884010AC1S1](#) [CT0-24-10SC](#) [CT0M20-7PCAU](#) [M28840/17AC1G3](#)