



HC Signal Connector

Asia Pacific
ChangZhou, China
Tel +86 519-8981 9713
Add No.11 Fengxiang Road,New District,
Changzhou,Jiangsu, China
P.C 213001

GuangZhou, China
Tel +86 20-3210-6099
Add 9th Floor, No.10, the 4th Street, Kehui
Jingu,Huangpu District, Guangzhou ,China
P.C 510663

North America
Winnipeg,Canada
Tel +1 204 697 2222
Add 2110 Notre Dame Avenue

Nogales, Mexico
Tel +52(55) 5258 9984
Add 482 Mariposa Road Building A, 85621

Sales Manager(North America): Alexander Rothmeier
Tel (USA) +(1) 516-655-2787
Email arothmeier@tpil.com

Sales Manager: Sherlock Wan
Tel +86 15950460386
Email sherlock.wan@amphenol-gec.com

Product Manager: George Chen
Tel +86 13413169243
Email george.chen2@amphenol-gec.com

Email info@Amphenol-GEC.com

www.amphenol-gec.com

HC Series Connectors

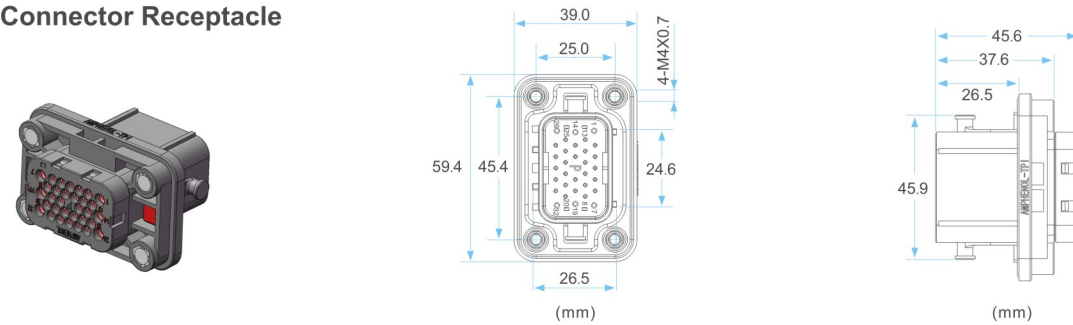
Amphenol HC Signal Series connectors are designed as a high-performance, cost-effective solution for the signal and power transmission for PDU in battery pack. The connector has integrated both signal and power transmission in one body.

Key Features	Technical Data	Typical Applications
<ul style="list-style-type: none"> Colored Body and Enhanced Rib for Blind Mating Up to IP68 Protection(mated) Scalable Pin Count Per Specific Requirement⁽¹⁾ Available with Key A, B and C Option Available with CPA Option 	<ul style="list-style-type: none"> Pin Count: 32pin Current Rating: Power: 13A MAX Signal: 5A MAX Cable Size: Power: 14~18 AWG Signal: 20~22AWG Dielectric Withstanding Voltage: 3000VDC Operating Temperature: -40°C - +125°C IP Rating: IP6K9K、IP68(mated, subersion in 1M depth water with 48 hours.) Mating Cycle: 100Min Air leakage: 60KPa Fire Classification: UL94-V0 	<ul style="list-style-type: none"> Signal and Power Transmission for PDU

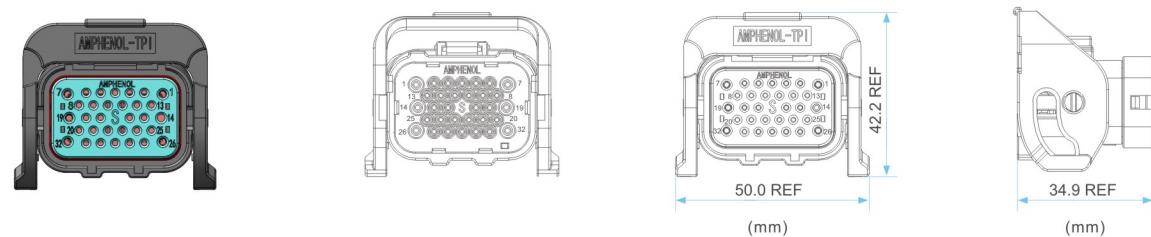
(1) Offer pin plug for unused pin seal

Dimensions

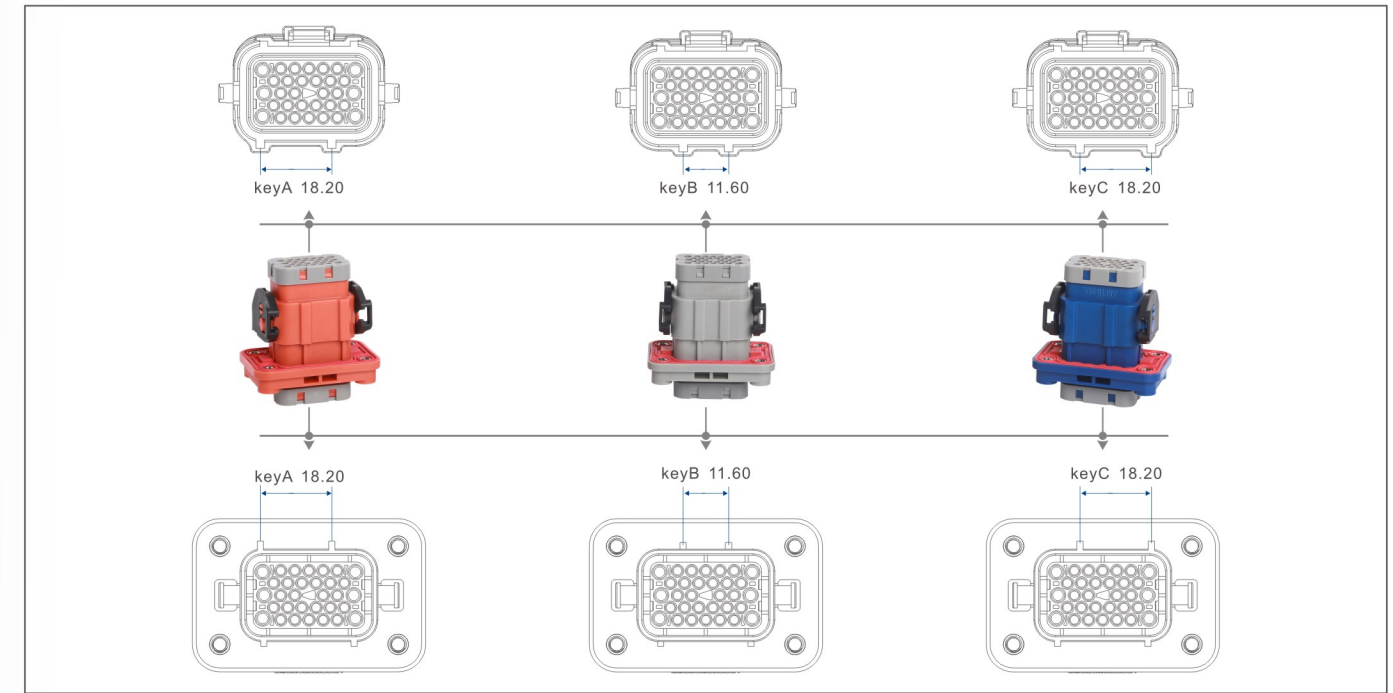
32POS Connector Receptacle



32POS Connector Plug



HC Signal Key Map



Ordering Information

Product Type	Connector Type	Polarization	Series	Installation Type				
HC	HC Signal	08	Receptacle Connector	A B C	P32	32POS	R	Rear mounted

Terminal & Cable & Seal Plug Options

Receptacle	Terminal Type	Terminal Part Number	Wire gauge	Wire OD range	Seal Type	Seal Part Number
HC08A-P32-R	16#(power)	HCTM215XX	16-18 AWG	2.24-3.00mm	16#(power)	AC-CP000383
HC08B-P32-R	20#(signal)	HCTM121XX	20-22 AWG	1.35-2.50mm	20#(signal)	AC-CP000382
HC08C-P32-R						

Product Type	Connector Type	Polarization	Series	CPA				
HC	HC Signal	18	Plug Connector	A B C	S32	32POS	Blank 2	Without CPA With CPA

Terminal & Cable & Seal Plug Options

Plug	Terminal Type	Terminal Part Number	Wire gauge	Wire OD range	Seal Type	Seal Part Number	
HC18A-S32	HC18A-S32-2	16#(power)	HCTF215XX	16-18 AWG	2.24-3.00mm	16#(power)	AC-CP000383
HC18B-S32	HC18B-S32-2	20#(signal)	HCTF121XX	20-22 AWG	1.35-2.50mm	20#(signal)	AC-CP000382
HC18C-S32	HC18C-S32-2						

(1)Terminal plating specification:
XX=01 gold flash plate overall
XX=04 Tin over nickel

The information contained in this data sheet is for reference only

Amphenol Technical Products International provides the above product specifications for the standard. Specifications are subject to change without notice. Contact your nearest Amphenol Corporation Sales Office for the latest specifications. All statements, information and data given herein are believed to be accurate and reliable but are presented without representation or warranty that any such use is free of patent infringement and are not recommendations to infringe any patent. Specifications are typical and may not apply to all connectors. Note that these specifications are derived from relevant global standards used in the automotive and industrial transportation markets, but they are not a substitute for system level design validation testing, which is the sole responsibility of the system designer and/or end user.

X-ON Electronics

Largest Supplier of Electrical and Electronic Components

Click to view similar products for [Heavy Duty Power Connectors](#) category:

Click to view products by [Amphenol](#) manufacturer:

Other Similar products are found below :

[6646058-2](#) [6646137-1](#) [6646138-1](#) [6646940-1](#) [6651091-1](#) [6651525-1](#) [6651529-1](#) [696475-1](#) [702-32-01109](#) [73080255059](#) [73080965046](#)
[7310205040001](#) [765-16-0080B](#) [765-18-0080D](#) [902-77-02113](#) [PS00/A0620/6300](#) [AN0024023](#) [154-42B7WM250](#) [MS3117-14AC](#) [1643543-1](#)
[1766966-1](#) [1791340000](#) [NLDFT-3-BL-L-S120-M40A](#) [NLDFT-N-W-L-C240-M40B](#) [1926015-1](#) [NLS-3-BL-C240-M40B](#) [NLS-N-W-C240-](#)
[M40B](#) [NPS-3-BL-T6](#) [2-1589900-8](#) [9300480317](#) [294-0091-01100](#) [296-0040-01100](#) [1-6609148-0](#) [A32595-0049](#) [1766249-1](#) [19000005132](#)
[1926016-1](#) [1-966831-8](#) [AN0024202](#) [AN0264023](#) [279-0841-10100A](#) [281-0334-00100A](#) [RMSB4](#) [419-2083-301](#) [LCDX4/0-14B-X](#) [075-8519-](#)
[001](#) [078238-1613](#) [07.470.3256.0](#) [09000005288](#) [09140240311](#)