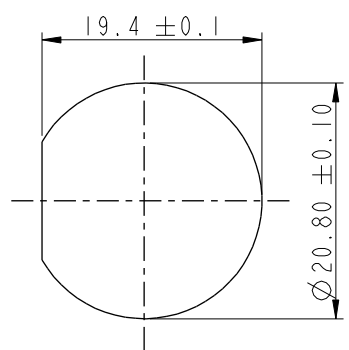
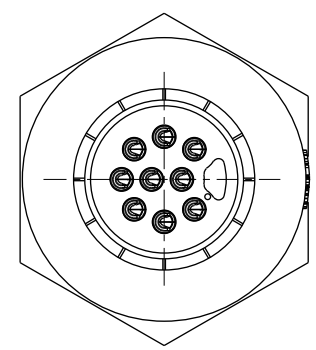


THIS DOCUMENT IS SUBJECT TO CHANGE WITHOUT NOTICE. IT IS CONFIDENTIAL AND A PROPERTY OF Amphenol LTW. DISCLOSURE TO THIRD PARTY HAS TO BE AUTHORIZED BY Amphenol LTW.

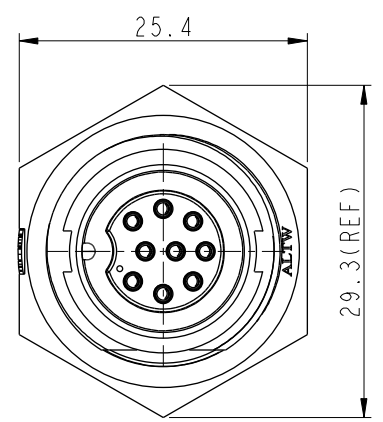
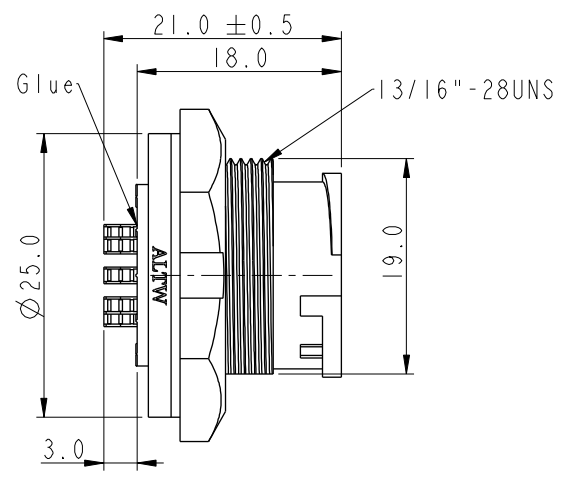
REV.	ECN NO.	DATE	SIGN	DESCRIPTION
B	C190348	2019/03/06	Vicky	Change Note



Recommended Panel  
Cut-Out

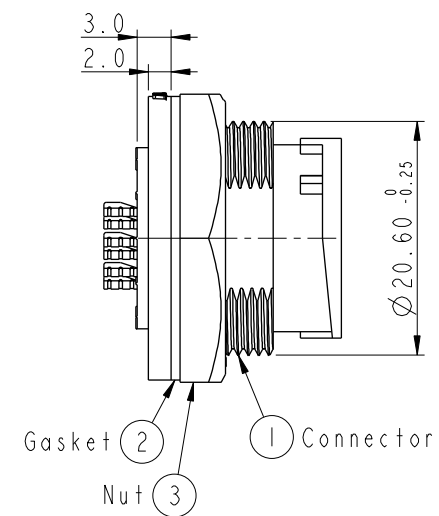


With Liquid Glue

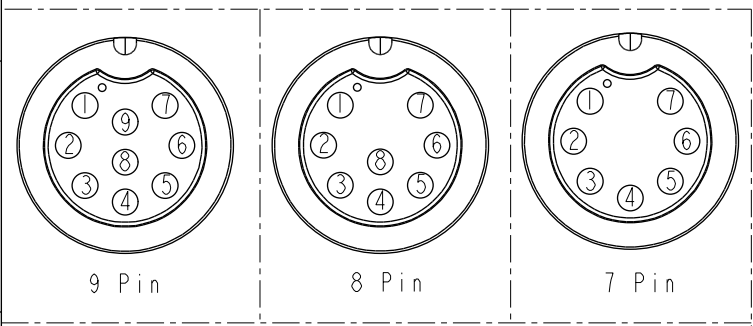


ACD-XXPMFS-LC7001

07: 7Pin  
:  
09: 9Pin



- Note:**
- \* Ⓞ Important Dimension To Check.
  - \* Waterproof Rate: IP67, Unmated.
  - \* Housing: Thermoplastic, Black.
  - \* Pin: Copper Alloy, Gold Plated.
  - \* Nut: Thermoplastic, Black.
  - \* Gasket: Rubber, Gray.
  - \* Use with waterproof cap or dust cap  
Maximum Panel Thickness: 2.8mm
  - \* Use without waterproof cap or dust cap  
Maximum Panel Thickness: 4.0mm
  - \* Gasket and Nut are packed separately  
in PE bags. (Gasket/Nut不組裝, 散裝出貨)



Pin Assignments Front View

UNIT: mm		TITLE MIDDLE PANEL LOCK M CONN F PIN		
TOLERANCE		SCALE	SIZE	SHEET
.X ±0.25		3:2	A4	1 OF 1
.XX ±0.1		REV.	WC-REV.	
.XXX ±0.05		B	A.2	<span style="border: 1px solid black; border-radius: 50%; padding: 2px;">Ⓞ</span> : Inspection item
ANGLES ±1°				

**Amphenol LTW**  
安費諾亮泰企業股份有限公司

ITEM NO.	DRAWN BY	DATE
	Vicky	2019-03-06
DWG NO.	CHECKED BY	DATE
ACD-XXPMFS-LC7001	Rita	2019-03-06
CUSTOMER	APPROVED BY	DATE
ALTW	Max	2019-03-06

## X-ON Electronics

Largest Supplier of Electrical and Electronic Components

*Click to view similar products for [Standard Circular Connector](#) category:*

*Click to view products by [Amphenol](#) manufacturer:*

Other Similar products are found below :

[5M2530B10P](#) [600259N006](#) [600273N007](#) [6134-336-13149](#) [6134-337-11149](#) [6134-337-2390](#) [6134-341-17149](#) [6280-4SG-516](#) [6280-7SG-3DC](#)  
[6290](#) [6291A](#) [66200A-10](#) [680-SMG](#) [681-PMG](#) [CXS3102A14S2P](#) [CXS3102A181S](#) [7251-6SG-300](#) [7271-6SG-300](#) [7282-3PG-300-CH3](#) [75-](#)  
[474014-05S](#) [75-474618-01S](#) [75-474618-04P](#) [75-474618-04S](#) [799539-000](#) [MI8-SE](#) [805-005-07NF11-19PC](#) [805-005-07NF15-7PA](#) [8280-4PG-](#)  
[516](#) [8280-7PG-519](#) [8282-5PG-519](#) [836783-1](#) [MP-4102-25P-C](#) [862256-1](#) [864019-2](#) [866857-1](#) [867865-1](#) [PT01SP-14-18P](#) [PT08P-14-5S](#)  
[PTSF06SE-14-12S](#) [120-1833-000](#) [QCM019PC2DC012B](#) [1-2069279-1](#) [121583-0217](#) [121667-0020](#) [129591AU](#) [1000B BULK](#) [RD10A16-19-](#)  
[P6CS051/1](#) [RD10A20-31-P8CS051/1](#) [RD16A14-12-S6CS051/2](#) [1301240290](#) [1301240347](#)