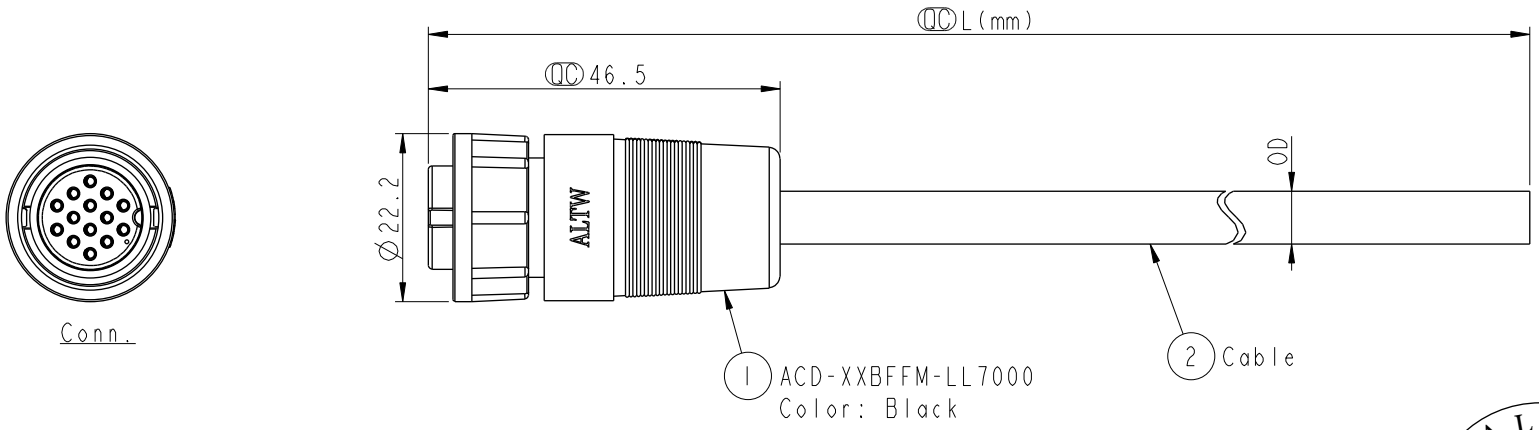


THIS DOCUMENT IS SUBJECT TO CHANGE WITHOUT NOTICE. IT IS CONFIDENTIAL AND A PROPERTY OF Amphenol LTW. DISCLOSURE TO THIRD PARTY HAS TO BE AUTHORIZED BY Amphenol LTW.

REV.	ECN NO.	DATE	SIGN	DESCRIPTION



ACD-XXBFFM-LL7AXX
 07: 7Pin
 :
 :
 14: 14Pin

XX : 01~99Meters
 01 : 01Meter
 02 : 02Meters
 :
 :
 99 : 99Meters

Cable Length(L): 01~99Meters

Note:
 * \varnothing Important Dimension To Check
 * Waterproof Rate: IP67
 * Housing: Nylon+GF, Black.
 * Female Pin: Copper Alloy, Gold Plated
 * Lock Nut: Nylon+GF, Black
 * Cable: UL2464 24AWG+Drain+Al/My,
 PVC Jacket UV Resistant, Black
 * Cable Length Tolerance: 01M: ±40mm
 02M~05M: ±60mm
 06M~10M: ±100mm
 11M~30M: ±200mm
 31M~99M: ±500mm

14P	PVC	7.0	24	ACD-14BFFM-LL7AXX
12P		7.0		ACD-12BFFM-LL7AXX
10P		6.5		ACD-10BFFM-LL7AXX
9P		6.0		ACD-09BFFM-LL7AXX
8P		5.5		ACD-08BFFM-LL7AXX
7P		5.8		ACD-07BFFM-LL7AXX
Contacts	Cable Jacket	Cable OD	AWG	Item No.

UNIT:mm		TITLE Middle Cable Lock F Conn F Pin
TOLERANCE ±0.5 mm	SCALE 1:1	SIZE A4
REV. A	WC-REV. A.1	SHEET 1 OF 2
Inspection item		

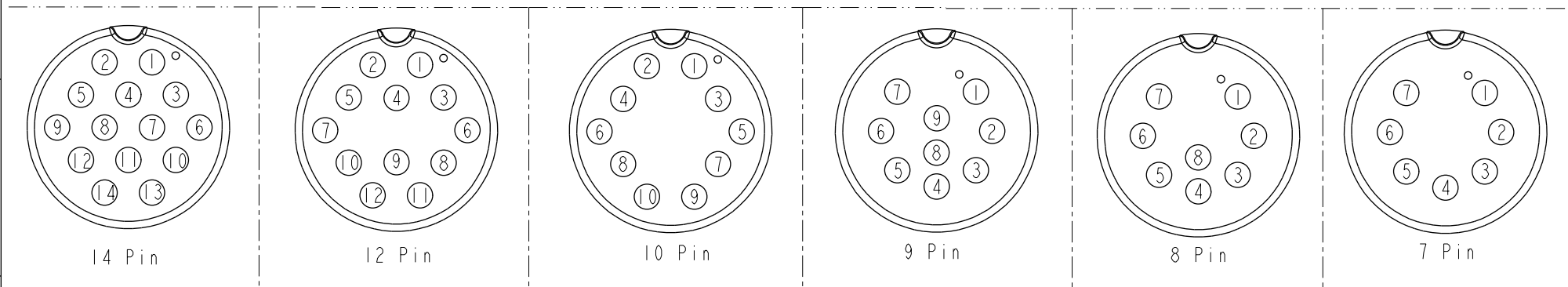
Amphenol LTW
 安費諾亮泰企業股份有限公司

ITEM NO	DRAWN BY Vicky	DATE 2017-07-19
DWG NO ACD-XXBFFM-LL7AXX	CHECKED BY Mafei	DATE 2017-07-19
CUSTOMER ALTW	APPROVED BY Max	DATE 2017-07-19



14 Brown/White 棕/白 13 Black/White 黑/白 12 Light Green 淺綠 11 Purple 紫 10 Orange 橙 9 Black 黑 8 Red 紅 7 Pink 粉紅 6 Gray 灰 5 Yellow 黃 4 Green 綠 3 White 白 2 Blue 藍 1 Brown 棕 Pin # Wire	12 Light Green 淺綠 11 Purple 紫 10 Orange 橙 9 Black 黑 8 Red 紅 7 Pink 粉紅 6 Gray 灰 5 Yellow 黃 4 Green 綠 3 White 白 2 Blue 藍 1 Brown 棕 Pin # Wire	10 Orange 橙 9 Black 黑 8 Red 紅 7 Pink 粉紅 6 Gray 灰 5 Yellow 黃 4 Green 綠 3 White 白 2 Blue 藍 1 Brown 棕 Pin # Wire	9 Black 黑 8 Red 紅 7 Pink 粉紅 6 Gray 灰 5 Yellow 黃 4 Green 綠 3 White 白 2 Blue 藍 1 Brown 棕 Pin # Wire	8 Green 綠 7 Yellow 黃 6 Orange 橙 5 Red 紅 4 Blue 藍 3 White 白 2 Brown 棕 1 Black 黑 Pin # Wire	7 White 白 6 Green 綠 5 Brown 棕 4 Red 紅 3 Yellow 黃 2 Orange 橙 1 Blue 藍 Pin # Wire
---	---	---	--	---	--

Pin Out



Pin Assignments Front View

UNIT:mm 	TITLE Middle Cable Lock F Conn F Pin			Amphenol LTW 安費諾亮泰企業股份有限公司	ITEM NO	DRAWN BY Vicky	DATE 2017-07-19
	SCALE 1:1	SIZE A4	SHEET 2 OF 2		DWG NO ACD-XXBFFM-LL7AXX	CHECKED BY Mafei	DATE 2017-07-19
	REV. A	WC-REV. A.1	QC: Inspection item		CUSTOMER ALTW	APPROVED BY Max	DATE 2017-07-19

X-ON Electronics

Largest Supplier of Electrical and Electronic Components

Click to view similar products for [Sensor Cables / Actuator Cables](#) category:

Click to view products by [Amphenol](#) manufacturer:

Other Similar products are found below :

[60963](#) [60964](#) [703000D02F2002](#) [703001D02F0602](#) [703001D02F300](#) [704000D02F120](#) [773032K02F030](#) [802027107404-1](#) [802027213811-1](#)
[804001A09M150](#) [805001A09M0502](#) [84914-0235](#) [84914-0237](#) [885030A09M020](#) [8R4J30E03C3003](#) [1200651332](#) [1200651713](#) [1200660844](#)
[1200660845](#) [1200661173](#) [1200680071](#) [1200720053](#) [1200720081](#) [1200720099](#) [1200720217](#) [1200800231](#) [1200860125](#) [1200870123](#)
[1200980102](#) [1200650267](#) [1200650298](#) [1200660183](#) [1200660782](#) [1200660849](#) [1200661295](#) [1200661297](#) [1200661342](#) [1200661343](#)
[1200670080](#) [1200670220](#) [1200680331](#) [1200720252](#) [1200730184](#) [1200860344](#) [1200870359](#) [1200870643](#) [1200980008](#) [1200980031](#)
[1210502211](#) [1210400542](#)