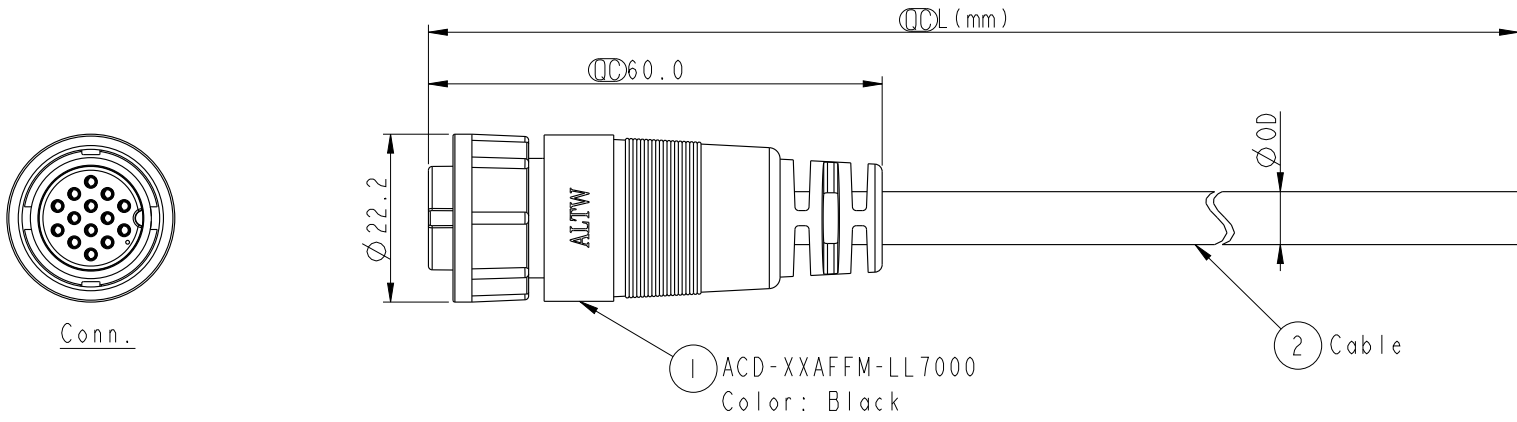


THIS DOCUMENT IS SUBJECT TO CHANGE WITHOUT NOTICE. IT IS CONFIDENTIAL AND A PROPERTY OF AMPHENOL LTW. DISCLOSURE TO THIRD PARTY HAS TO BE AUTHORIZED BY AMPHENOL LTW.

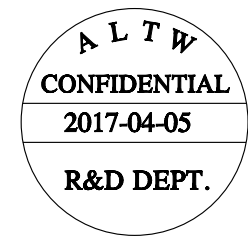
REV.	ECN NO.	DATE	SIGN	DESCRIPTION
B	LEN1740411~17	2017/04/05	Lingpeng	Change The Note



ACD-XXAFFM-LL7AXX  
 07: 7Pin  
 :  
 :  
 14: 14Pin

XX : 01~99Meters  
 01 : 01Meter  
 02 : 02Meters  
 :  
 :  
 99 : 99Meters

Cable Length(L): 01~99Meters



- Note:**
- \*  $\varnothing$  Important Dimension To Check.
  - \* Waterproof Rate: IP67
  - \* Housing: Nylon+GF, Black.
  - \* Female Pin: Copper Alloy, Gold Plated.
  - \* Lock Nut: Nylon+GF, Black
  - \* Cable: UL2464 24AWG+Drain+Al/My  
PVC Jacket UV Resistant, Black.
  - \* Cable Length Tolerance: 01M: 40mm  
02M~05M: ±60mm  
06M~10M: ±100mm  
11M~30M: ±200mm  
31M~99M: ±500mm

14P	PVC	7.0	24	ACD-14AFFM-LL7AXX
12P		7.0		ACD-12AFFM-LL7AXX
10P		6.5		ACD-10AFFM-LL7AXX
9P		6.0		ACD-09AFFM-LL7AXX
8P		5.5		ACD-08AFFM-LL7AXX
7P		5.8		ACD-07AFFM-LL7AXX
Contacts	Cable Jacket	Cable OD	AWG	Item No.

UNIT: mm		TITLE MIDDLE CABLE LOCK F CONN F PIN		
TOLERANCE ± 0.5	SCALE 1:1	SIZE A4	SHEET 1 OF 2	
REV. B	WC-REV. A.1	$\varnothing$ : Inspection item		

**Amphenol LTW**  
 安費諾亮泰企業股份有限公司

ITEM NO.	DRAWN BY Lingpeng	DATE 2017-04-05
DWG NO. ACD-XXAFFM-LL7AXX	CHECKED BY Jinhai	DATE 2017-04-05
CUSTOMER ALTW	APPROVED BY Jerry	DATE 2017-04-05

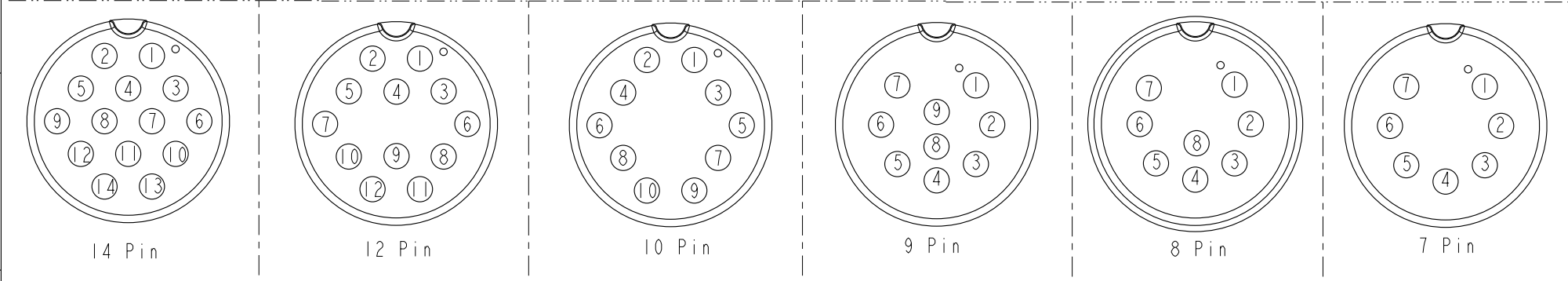
THIS DOCUMENT IS SUBJECT TO CHANGE WITHOUT NOTICE. IT IS CONFIDENTIAL AND A PROPERTY OF Amphenol LTW. DISCLOSURE TO THIRD PARTY HAS TO BE AUTHORIZED BY Amphenol LTW.

REV.	ECN NO.	DATE	SIGN	DESCRIPTION
B	*	2017/04/05	Lingpeng	Change The Note



14 Brown/White 13 Black/White 12 Light Green 11 Purple 10 Orange 9 Black 8 Red 7 Pink 6 Gray 5 Yellow 4 Green 3 White 2 Blue 1 Brown	棕/白 黑/白 淺綠 紫 橙 黑 紅 粉紅 灰 黃 綠 白 藍 棕	12 Light Green 11 Purple 10 Orange 9 Black 8 Red 7 Pink 6 Gray 5 Yellow 4 Green 3 White 2 Blue 1 Brown	淺綠 紫 橙 黑 紅 粉紅 灰 黃 綠 白 藍 棕	10 Orange 9 Black 8 Red 7 Pink 6 Gray 5 Yellow 4 Green 3 White 2 Blue 1 Brown	橙 黑 紅 粉紅 灰 黃 綠 白 藍 棕	9 Black 8 Red 7 Pink 6 Gray 5 Yellow 4 Green 3 White 2 Blue 1 Brown	黑 紅 粉紅 灰 黃 綠 白 藍 棕	8 Green 7 Yellow 6 Orange 5 Red 4 Blue 3 White 2 Brown 1 Black	綠 黃 橙 紅 藍 白 棕 黑	7 White 6 Green 5 Brown 4 Red 3 Yellow 2 Orange 1 Blue	白 綠 棕 紅 黃 橙 藍
Pin # Wire		Pin # Wire		Pin # Wire		Pin # Wire		Pin # Wire		Pin # Wire	

Pin Out



Pin Assignments Front View

UNIT: mm		TITLE		<h1>Amphenol LTW</h1> <p>安費諾亮泰企業股份有限公司</p>	ITEM NO	DRAWN BY	DATE
		MIDDLE CABLE LOCK F CONN F PIN			DWG NO	Lingpeng	2017-04-05
		SCALE	SIZE		SHEET	OF	CHECKED BY
1:1	A4	2	2	ACD-XXAFFM-LL7AXX	Jinhai	2017-04-05	
REV.	WC-REV.	QC: Inspection item		CUSTOMER	APPROVED BY	DATE	
B	A.1			ALTW	Jerry	2017-04-05	

## X-ON Electronics

Largest Supplier of Electrical and Electronic Components

*Click to view similar products for [Sensor Cables / Actuator Cables](#) category:*

*Click to view products by [Amphenol](#) manufacturer:*

Other Similar products are found below :

[60963](#) [60964](#) [M83513/19-F01CP](#) [703000D02F2002](#) [703001D02F0602](#) [703001D02F300](#) [704000D02F120](#) [773032K02F030](#) [802027107404-1](#)  
[802027213811-1](#) [804001A09M150](#) [805001A09M0502](#) [84914-0235](#) [84914-0237](#) [885030A09M020](#) [8R4J30E03C3003](#) [1200651332](#)  
[1200651713](#) [1200660844](#) [1200660845](#) [1200661173](#) [1200680071](#) [1200720053](#) [1200720081](#) [1200720099](#) [1200720217](#) [1200800231](#)  
[1200860125](#) [1200870123](#) [1200980102](#) [1200650267](#) [1200650298](#) [1200660183](#) [1200660782](#) [1200660849](#) [1200661295](#) [1200661297](#)  
[1200661342](#) [1200661343](#) [1200670080](#) [1200670220](#) [1200680331](#) [1200720252](#) [1200730184](#) [1200860344](#) [1200870359](#) [1200870643](#)  
[1200980008](#) [1200980031](#) [1210502211](#)