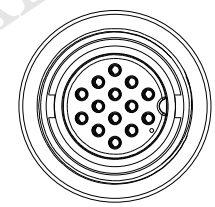


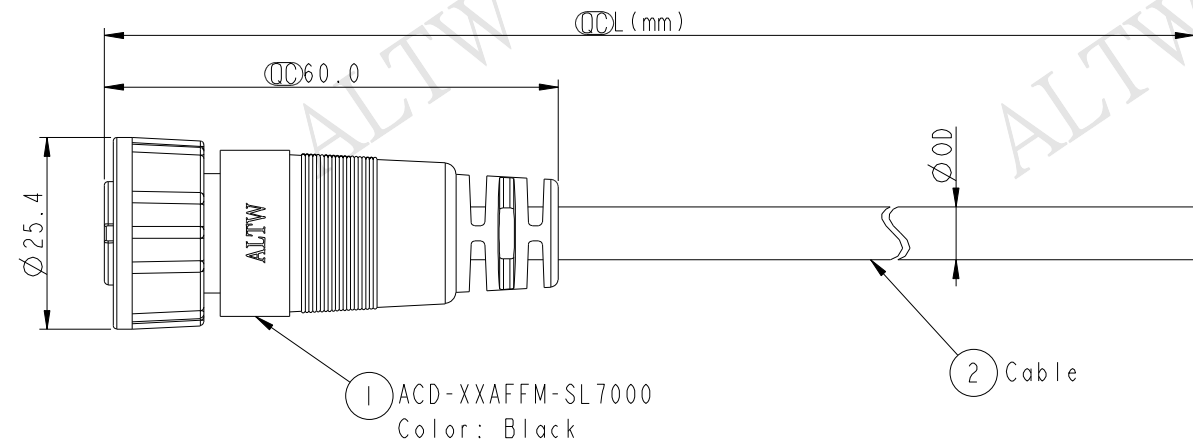
THIS DOCUMENT IS SUBJECT TO CHANGE WITHOUT NOTICE. IT IS CONFIDENTIAL AND A PROPERTY OF AMPHENOL LTW. DISCLOSURE TO THIRD PARTY HAS TO BE AUTHORIZED BY AMPHENOL LTW.

REV.	ECN NO.	DATE	SIGN	DESCRIPTION

ALTW



Conn.



1 ACD-XXAFFM-SL7000  
Color: Black

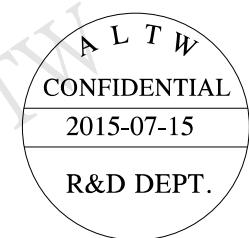
2 Cable

ALTW

ACD-XXAFFM-SL7AXX  
 07: 7Pin  
 :  
 :  
 14: 14Pin

XX : 01~99Meters  
 01 : 01Meter  
 02 : 02Meters  
 :  
 :  
 99 : 99Meters

Cable Length(L): 01~99Meters



- Note:
- \*  $\varnothing$  Important Dimension To Check.
  - \* Waterproof Rate: IP67
  - \* Housing: Nylon+GF, Black.
  - \* Female Pin: Copper Alloy, Gold Plated.
  - \* Screw Nut: Nylon+GF., Black
  - \* Cable: UL2464 24AWG+Drain+Al/My  
PVC Jacket UV Resistant, Black.
  - \* Cable Length Tolerance: 01M: 40mm  
02M~05M: ±60mm  
06M~10M: ±100mm  
11M~30M: ±200mm  
31M~99M: ±500mm

14P	PVC	7.0	24	ACD-14AFFM-SL7AXX
12P		7.0		ACD-12AFFM-SL7AXX
10P		6.5		ACD-10AFFM-SL7AXX
9P		6.0		ACD-09AFFM-SL7AXX
8P		5.5		ACD-08AFFM-SL7AXX
7P		5.8		ACD-07AFFM-SL7AXX
Contacts	Cable Jacket	Cable OD	AWG	Item No.

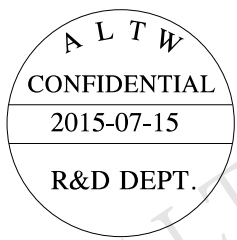
UNIT: mm		TITLE MIDDLE CABLE SCREW F CONN F PIN		
TOLERANCE	± 0.5	SCALE 1:1	SIZE A4	SHEET 1 OF 2
REV. A	WC-REV. A.1	QC: Inspection item		

**Amphenol LTW**  
安費諾亮泰企業股份有限公司

ITEM NO.	DRAWN BY Jinhai	DATE 2015-07-15
DWG NO. ACD-XXAFFM-SL7AXX	CHECKED BY Rensong	DATE 2015-07-15
CUSTOMER ALTW	APPROVED BY Jerry	DATE 2015-07-15

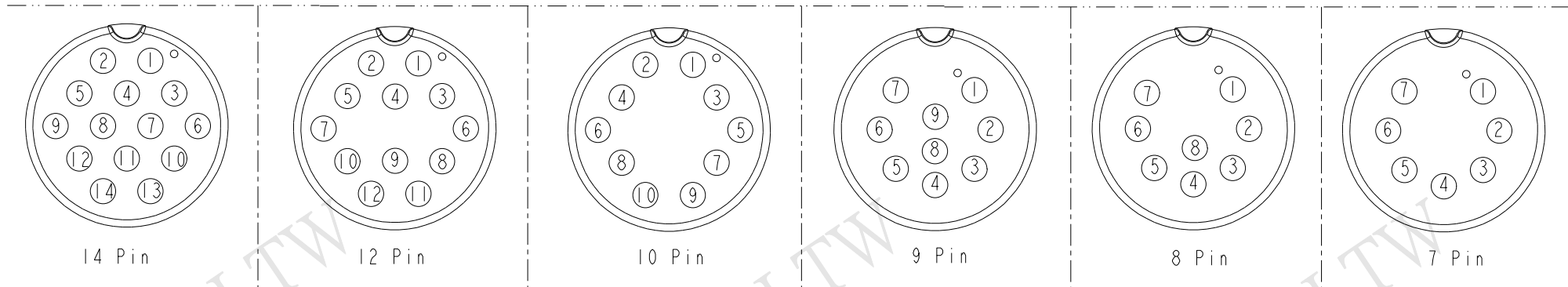
THIS DOCUMENT IS SUBJECT TO CHANGE WITHOUT NOTICE. IT IS CONFIDENTIAL AND A PROPERTY OF Amphenol LTW. DISCLOSURE TO THIRD PARTY HAS TO BE AUTHORIZED BY Amphenol LTW.

REV.	ECN NO.	DATE	SIGN	DESCRIPTION



Pin #	Wire	Pin #	Wire	Pin #	Wire	Pin #	Wire	Pin #	Wire	Pin #	Wire
14	Brown/White	12	Light Green	10	Orange	9	Black	8	Green	7	White
13	Black/White	11	Purple	9	Black	8	Red	7	Yellow	6	Green
12	Light Green	10	Orange	8	Red	7	Pink	6	Orange	5	Brown
11	Purple	9	Black	7	Pink	6	Gray	5	Red	4	Red
10	Orange	8	Red	6	Gray	5	Yellow	4	Blue	3	Yellow
9	Black	7	Pink	5	Yellow	4	Green	3	White	2	Orange
8	Red	6	Gray	4	Green	3	White	2	Brown	1	Blue
7	Pink	5	Yellow	3	White	2	Blue	1	Black		
6	Gray	4	Green	2	Blue						
5	Yellow	3	White	1	Brown						
4	Green	2	Blue								
3	White	1	Brown								
2	Blue										
1	Brown										

Pin Out



Pin Assignments Front View

UNIT: mm	MIDDLE CABLE SCREW F CONN F PIN		<h1>Amphenol LTW</h1> <p>安費諾亮泰企業股份有限公司</p>	ITEM NO.	DRAWN BY	DATE	
	SCALE 1:1	SIZE A4		SHEET 2 OF 2	ACD-XXAFFM-SL7AXX	Jinhai	2015-07-15
	REV. A	WC-REV. A.1		QC: Inspection item	CUSTOMER ALTW	Checked By Rensong	DATE 2015-07-15
					APPROVED BY Jerry	DATE 2015-07-15	

## X-ON Electronics

Largest Supplier of Electrical and Electronic Components

*Click to view similar products for [Sensor Cables / Actuator Cables](#) category:*

*Click to view products by [Amphenol](#) manufacturer:*

Other Similar products are found below :

[60963](#) [60964](#) [M83513/19-F01CP](#) [703000D02F2002](#) [703001D02F0602](#) [703001D02F300](#) [704000D02F120](#) [773032K02F030](#) [802027107404-1](#)  
[802027213811-1](#) [804001A09M150](#) [805001A09M0502](#) [84914-0235](#) [84914-0237](#) [885030A09M020](#) [8R4J30E03C3003](#) [1200651332](#)  
[1200651713](#) [1200660844](#) [1200660845](#) [1200661173](#) [1200680071](#) [1200720053](#) [1200720081](#) [1200720099](#) [1200720217](#) [1200800231](#)  
[1200860125](#) [1200870123](#) [1200980102](#) [1200650267](#) [1200650298](#) [1200660183](#) [1200660782](#) [1200660849](#) [1200661295](#) [1200661297](#)  
[1200661342](#) [1200661343](#) [1200670080](#) [1200670220](#) [1200680331](#) [1200720252](#) [1200730184](#) [1200860344](#) [1200870359](#) [1200870643](#)  
[1200980008](#) [1200980031](#) [1210502211](#)