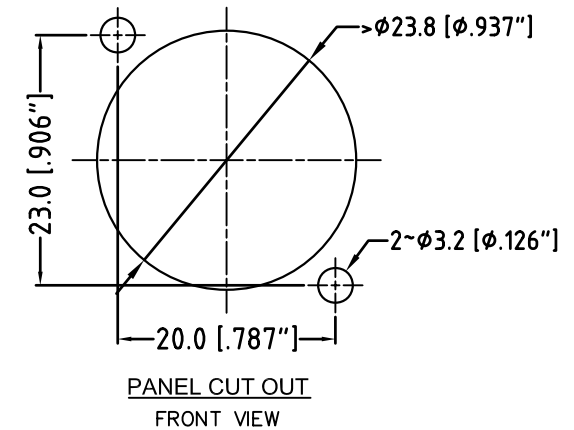
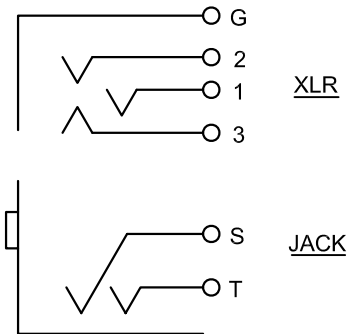


MIN MOUNTING PITCH
ACTUAL SIZE

CONTACTS SCHEMATIC CHART



UNLESS OTHERWISE SPECIFIED TOLERANCE TO BE		THIS DOCUMENT IS THE PROPERTY OF AMPHENOL AUSTRALIA PTY. LTD. NO PART THEREOF MAY BE REPRODUCED AND USED WITHOUT THE PRIOR WRITTEN CONSENT OF THE OWNER				1	Correct Minimum Mounting Pitch dimension from 14mm to 27mm	M.H	19-03-09	8811		
LINEAR	ANGULAR	CAD FILE: 55010422000111				DRN:	M.H	DATE:	05-10-07	TITLE:		
X ± 0.5	X° ± 1°	MATERIAL: REFER TO COMPONENT				CKD:	P.M	DATE:	19-03-09	ACJC55 C-TYPE		
X.X ± 0.1	X*X° ± 30'	DO NOT SCALE				FINISH:	REFER TO COMPONENT	APP'D:	P.M	DATE:	19-03-09	CUSTOMER DRAWING
X.XX ± 0.05	X*X*X° ± 15'	DIMENSIONS IN MILLIMETRES				SCALE:	2:1 UDS	PART No:	ACJC55	SIZE:	A3	55010422-000-1
BREAK ALL SHARP EDGES AND REMOVE ALL BURRS		THIRD ANGLE PROJECTION				TITLE:		DRAWING NO.		SHEET		
						ACJC55 C-TYPE		Amphenol Australia Pty.Ltd, 2 Fireways Blvd, Keysborough, Vic3173		2 OF 2		

X-ON Electronics

Largest Supplier of Electrical and Electronic Components

Click to view similar products for [XLR Connectors](#) category:

Click to view products by [Amphenol](#) manufacturer:

Other Similar products are found below :

[707-0300](#) [8800235](#) [91101181024](#) [PPCB-H](#) [A3F01](#) [A3M01](#) [QGP3F](#) [HA16PRQ-3SE\(71\)](#) [AA3FL](#) [AAA4FWZ](#) [AAA4MWZ](#) [AC3-MIC](#) [AC4-MIC](#) [AC5FPZB](#) [AC6AFDZV](#) [D4FB](#) [DE4MW](#) [DHNFBAG](#) [E3MBAUSW](#) [NA2FP-UW](#) [NA3MP-UW](#) [NC3FBHR1-0](#) [NC3FD-H-0](#) [NC3FK-V](#) [NC3FXY-B](#) [NC3MK-V](#) [NC3MXY](#) [NC5FX-HD-B](#) [NC6MSX-BAG](#) [91210071096](#) [SL05](#) [99.265.0400.0](#) [A3F04](#) [AC3FG](#) [AC4-FCP](#) [AC4FPZ](#) [AQG4F](#) [2504FP](#) [30-498-2](#) [R6MZ](#) [3FD-H-I](#) [3FD-H-I-\(0\)](#) [3FD-H-I-B](#) [3FD-V-I](#) [3FD-V-I-\(0\)](#) [3FD-V-I-B](#) [3MD-H-I-B](#) [3MD-V-I](#) [3MD-V-I-B](#) [TA01](#)