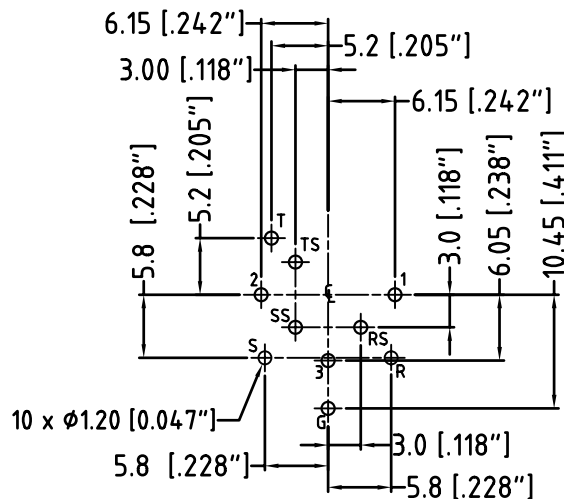
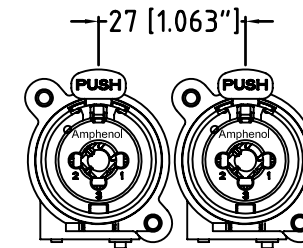
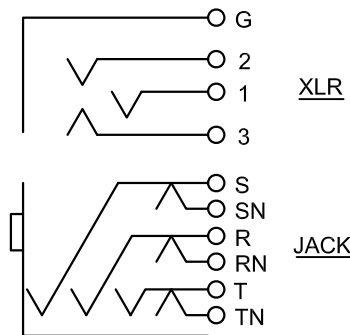


PANEL CUT OUT
FRONT VIEW



PCB LAYOUT
(component side)
TOLERANCE: $\pm 0.05\text{mm}$ [0.002"]

CONTACTS SCHEMATIC CHART



MIN MOUNTING PITCH
ACTUAL SIZE



1	Correct Minimum Mounting Pitch dimension from 14mm to 27mm	M.H	19-03-09	8811
REV.	FIRST ISSUE	M.H	05-10-07	----
	CHANGE DETAILS	BY	DATE	CHG/No

UNLESS OTHERWISE SPECIFIED TOLERANCE TO BE		THIS DOCUMENT IS THE PROPERTY OF AMPHENOL AUSTRALIA PTY. LTD. NO PART THEREOF MAY BE REPRODUCED AND USED WITHOUT THE PRIOR WRITTEN CONSENT OF THE OWNER			
LINEAR	ANGULAR	CAD FILE:	55010436000111	DRN:	M.H
X \pm 0.5	X° \pm 1°	MATL:	REFER TO COMPONENT	CKD:	P.M
X.X \pm 0.1	X°X' \pm 30'	DO NOT SCALE	FINISH: REFER TO COMPONENT	APP'D:	P.M
X.XX \pm 0.05	X°X'X" \pm 15"	DIMENSIONS IN MILLIMETRES	THIRD ANGLE PROJECTION	SCALE:	2:1 UDS
BREAK ALL SHARP EDGES AND REMOVE ALL BURRS		DO NOT SCALE		DATE:	05-10-07
				DATE:	19-03-09
				DATE:	19-03-09

TITLE:	ACJC9V C-TYPE CUSTOMER DRAWING	Amphenol Amphenol Australia Pty.Ltd, 2 Fireways Blvd, Keysborough, Vic3173
PART No:	ACJC9V	DRAWING NO.
SIZE:	A3	SHEET
		55010436-000-1
		2 OF 2

X-ON Electronics

Largest Supplier of Electrical and Electronic Components

Click to view similar products for [XLR Connectors](#) category:

Click to view products by [Amphenol](#) manufacturer:

Other Similar products are found below :

[707-0300](#) [8800235](#) [91101181024](#) [PPCB-H](#) [A3F01](#) [A3M01](#) [QGP3F](#) [HA16PRQ-3SE\(71\)](#) [AA3FL](#) [AAA4FWZ](#) [AAA4MWZ](#) [AC3-MIC](#) [AC4-MIC](#) [AC5FPZB](#) [AC6AFDZV](#) [D4FB](#) [DE4MW](#) [DHNFBAG](#) [E3MBAUSW](#) [NA2FP-UW](#) [NA3MP-UW](#) [NC3FBHR1-0](#) [NC3FD-H-0](#) [NC3FK-V](#) [NC3FXY-B](#) [NC3MK-V](#) [NC3MXY](#) [NC5FX-HD-B](#) [NC6MSX-BAG](#) [91210071096](#) [SL05](#) [99.265.0400.0](#) [A3F04](#) [AC3FG](#) [AC4-FCP](#) [AC4FPZ](#) [AQG4F](#) [2504FP](#) [30-498-2](#) [R6MZ](#) [3FD-H-I](#) [3FD-H-I-\(0\)](#) [3FD-H-I-B](#) [3FD-V-I](#) [3FD-V-I-\(0\)](#) [3FD-V-I-B](#) [3MD-H-I-B](#) [3MD-V-I](#) [3MD-V-I-B](#) [TA01](#)