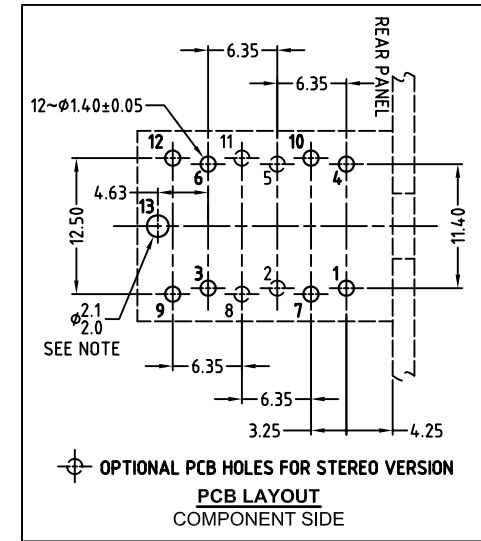
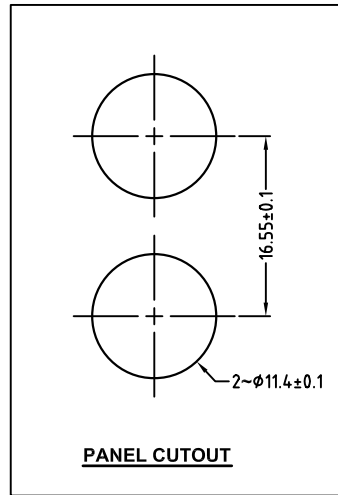
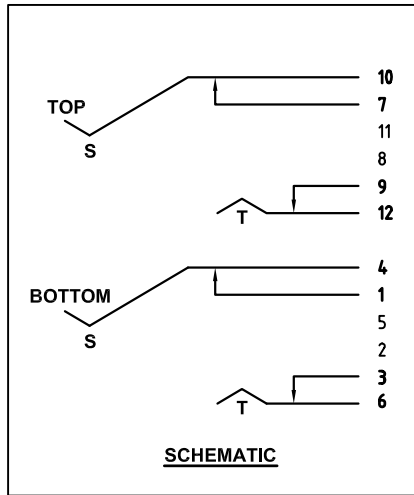
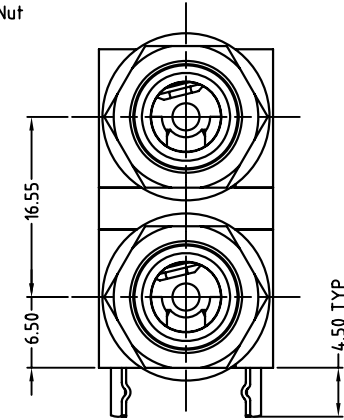
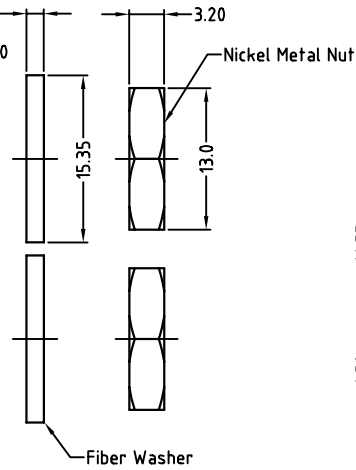
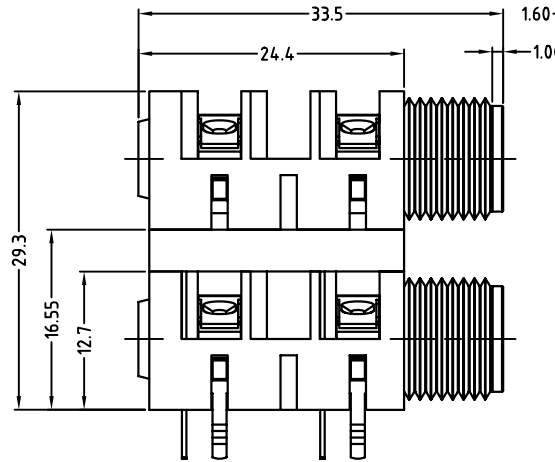
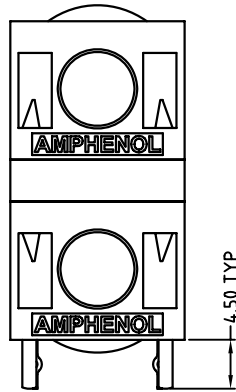


ISO VIEW  
SCALE 1:1



NOTE: OPTIONAL MOUNTING HOLE FOR SELF-TAPPING M2 SCREW

|  |                                       |   |            |                |   |   |                |     |          |        |
|--|---------------------------------------|---|------------|----------------|---|---|----------------|-----|----------|--------|
| UNLESS OTHERWISE SPECIFIED TOLERANCE TO BE |                                       | THIS DOCUMENT IS THE PROPERTY OF AMPHENOL AUSTRALIA PTY. LTD. NO PART THEREOF MAY BE REPRODUCED AND USED WITHOUT THE PRIOR WRITTEN CONSENT OF THE OWNER |            |                |   | 0   | FIRST ISSUE    | L.V | 14-06-06 | ----   |
| LINEAR                                     | ANGULAR                               |   |            |                |   | REV.  | CHANGE DETAILS | BY  | DATE     | CHG/No |
| X ± 5<br>X.X ± 0.1<br>X.XX ± 0.05          | X° ± 1°<br>X°X' ± 30'<br>X°X'X" ± 15' | CAD FILE: 55010376000120  | DRN: L.V   | DATE: 14-06-06 | TITLE:  | 1/4 PHONE MONO DUAL JACK COMPACT ASSEMBLY DWG |                |     |          |        |
| BREAK ALL SHARP EDGES AND REMOVE ALL BURRS |                                       | MATL: REFER TO COMPONENT  | CKD: M.N.H | DATE: 04-07-06 | Amphenol Australia Pty.Ltd, 2 Fireweys Blvd, Keysborough, Vic3173 |   |                |     |          |        |
| DO NOT SCALE                               |                                       | FINISH: REFER TO COMPONENT  | APP'D: P.M | DATE: 04-07-06 | DRAWING NO.   |   | SHEET          |     |          |        |
| DIMENSIONS IN MILLIMETRES                  |                                       | THIRD ANGLE PROJECTION  |            | SCALE: 2:1 UOS | PART No: ACJM-MHDC  | SIZE: A3                                      | 55010376-000-2 |     |          |        |

**Amphenol**

Amphenol Australia Pty.Ltd, 2 Fireweys Blvd, Keysborough, Vic3173

DRAWING NO.

SHEET

2 OF 2

## X-ON Electronics

Largest Supplier of Electrical and Electronic Components

*Click to view similar products for [Phone Connectors](#) category:*

*Click to view products by [Amphenol](#) manufacturer:*

Other Similar products are found below :

[M444B](#) [6J1041A](#) [R4F](#) [E12BPKG](#) [ECP4PKG](#) [161-3502L-E](#) [MT333X](#) [171-0350-EX](#) [171-101A-EX](#) [171-3325-EX](#) [176S](#) [NC3MG-V](#)  
[NYS228G](#) [P10834](#) [P2380](#) [P2381X](#) [P2411X](#) [P2412](#) [P2724](#) [JM2PB-AU BULK](#) [9144](#) [S2674](#) [280L](#) [163-156N-2-E](#) [163-158N-2-E](#) [171-3308-](#)  
[EX](#) [171-3500-E](#) [2501FT](#) [CMT335](#) [M10662](#) [330Q](#) [RJ5VI-S](#) [40116](#) [TM1R-AU](#) [TM2PBMJ-AU](#) [TM2PJ-AU](#) [TM2PJ-AU BULK](#) [4803.1351](#)  
[49201](#) [49205](#) [TS3PBJ-AU](#) [TS3PBMJ-AU](#) [TT32BX](#) [54B](#) [40112](#) [40205](#) [XMT332B](#) [52170017-331](#) [570](#) [NM3](#)