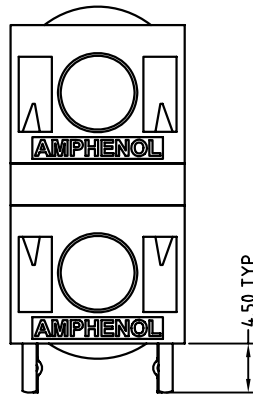
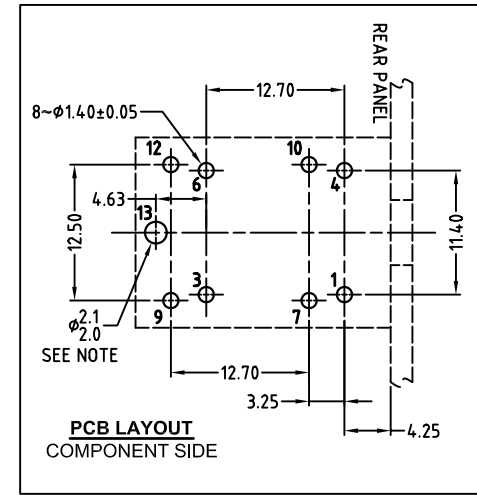
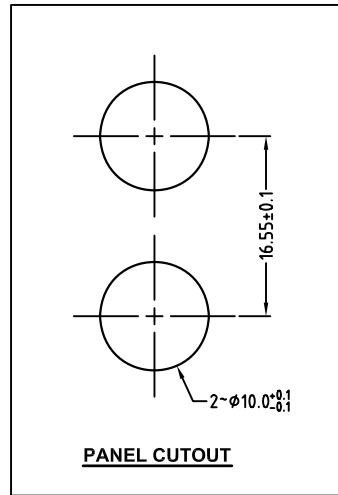
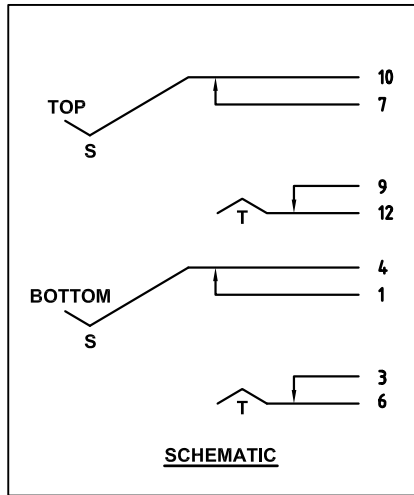
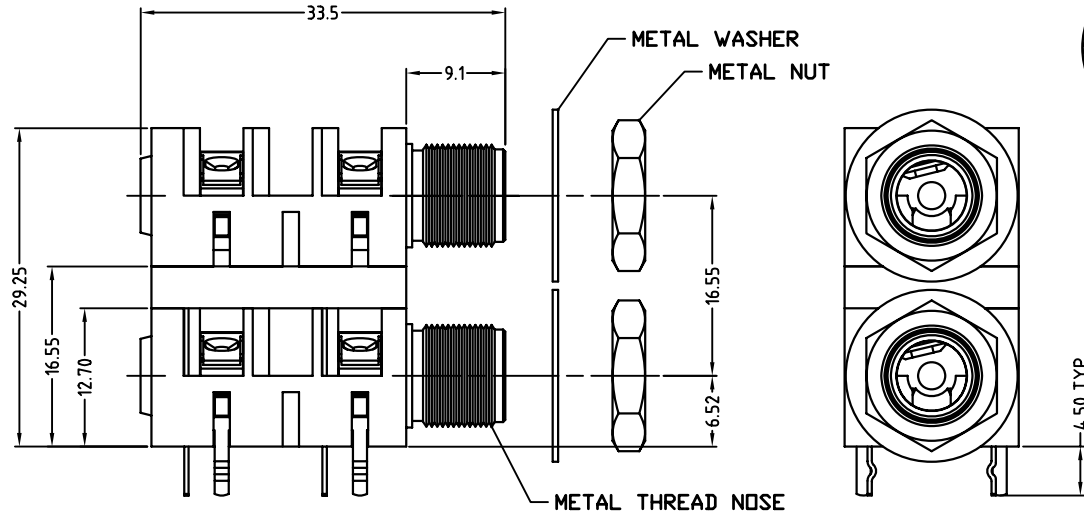


ISO VIEW
SCALE 1:1



4.50 TYP



NOTE: OPTIONAL MOUNTING HOLE FOR SELF-TAPPING M2 SCREW

CATALOGUE P/N	NUT OPTIONS
ACJM-LHDCM	NO NUT & WASHER
ACJM-MHDCM	METAL NUT & WASHER INCLUDED

UNLESS OTHERWISE SPECIFIED TOLERANCE TO BE	THIS DOCUMENT IS THE PROPERTY OF AMPHENOL AUSTRALIA PTY. LTD. NO PART THEREOF MAY BE REPRODUCED AND USED WITHOUT THE PRIOR WRITTEN CONSENT OF THE OWNER		0	FIRST ISSUE	M.H	11-03-10	----
	LINEAR	ANGULAR	REV.	CHANGE DETAILS	BY	DATE	CHG/No
X ± 0.5 X.X ± 0.2 X.XX ± 0.1	X° ± 1° X°X' ± 30' X°X'X" ± 15'	CAD FILE: 55010660001110	DRN: M.H	DATE: 11-03-10	TITLE: 1/4 PHONE MONO COMPACT DUAL JACK METALTHREAD CUSTOMER DRAWING		
BREAK ALL SHARP EDGES AND REMOVE ALL BURRS	MATL: REFER TO COMPONENT	CKD: M.N.H	DATE: 11-03-10	DRAWING NO. Amphenol Australia Pty.Ltd, 2 Fireways Blvd, Keysborough, Vic3173			
DO NOT SCALE	FINISH: REFER TO COMPONENT	APP'D: P.M	DATE: 11-03-10	SHEET 2 OF 2			
DIMENSIONS IN MILLIMETRES		THIRD ANGLE PROJECTION	SCALE: 2:1 UOS	PART No: REFER TO CHART	SIZE: A3	55010660-001-2	

Amphenol

Amphenol Australia Pty.Ltd, 2 Fireways Blvd, Keysborough, Vic3173

DRAWING NO. 55010660-001-2 SHEET 2 OF 2

X-ON Electronics

Largest Supplier of Electrical and Electronic Components

Click to view similar products for [Phone Connectors](#) category:

Click to view products by [Amphenol](#) manufacturer:

Other Similar products are found below :

[M444B](#) [6J1041A](#) [R4F](#) [E12BPKG](#) [ECP4PKG](#) [161-3502L-E](#) [MT333X](#) [171-0350-EX](#) [171-101A-EX](#) [171-3325-EX](#) [176S](#) [NC3MG-V](#)
[NYS228G](#) [P10834](#) [P2380](#) [P2381X](#) [P2411X](#) [P2412](#) [P2724](#) [JM2PB-AU BULK](#) [9144](#) [S2674](#) [280L](#) [163-156N-2-E](#) [163-158N-2-E](#) [171-3308-](#)
[EX](#) [171-3500-E](#) [2501FT](#) [CMT335](#) [M10662](#) [330Q](#) [RJ5VI-S](#) [40116](#) [TM1R-AU](#) [TM2PBMJ-AU](#) [TM2PJ-AU](#) [TM2PJ-AU BULK](#) [4803.1351](#)
[49201](#) [49205](#) [TS3PBJ-AU](#) [TS3PBMJ-AU](#) [TT32BX](#) [54B](#) [40112](#) [40205](#) [XMT332B](#) [52170017-331](#) [570](#) [NM3](#)