

1

2

3

4

5

6

A

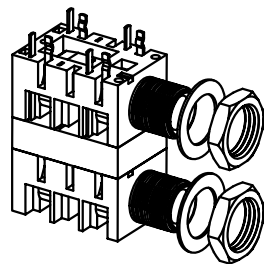
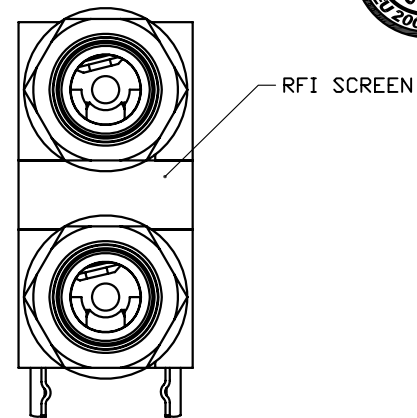
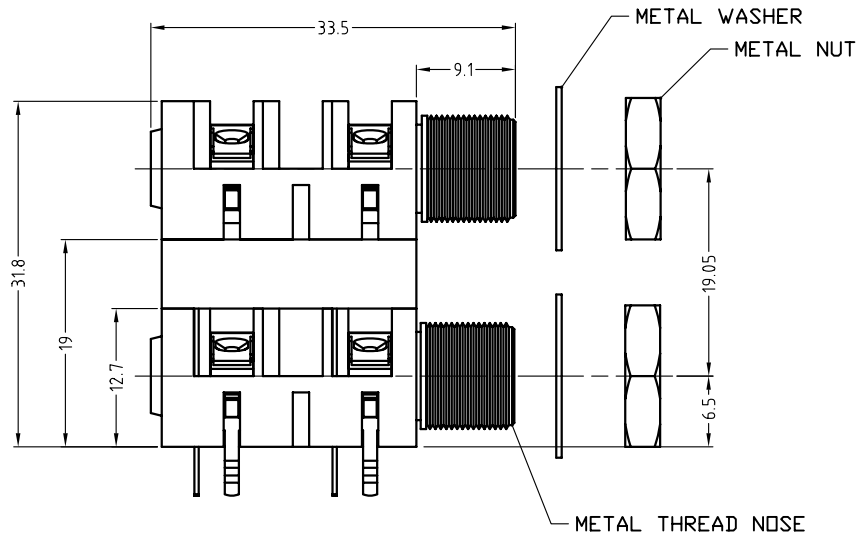
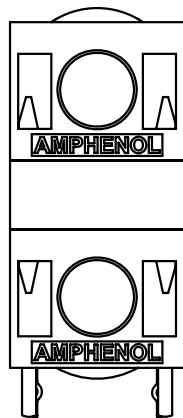
B

C

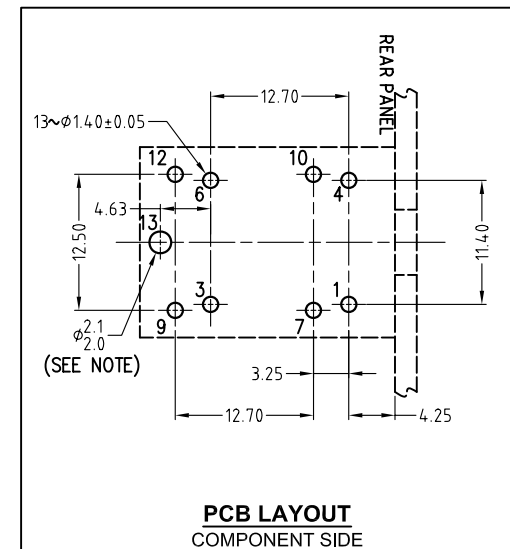
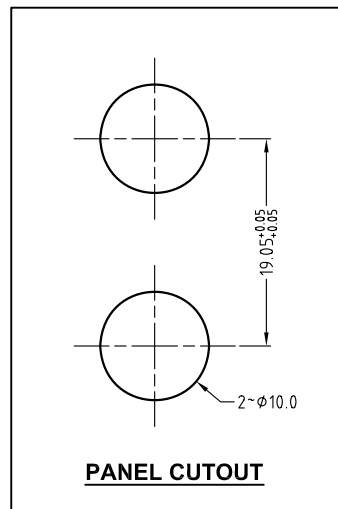
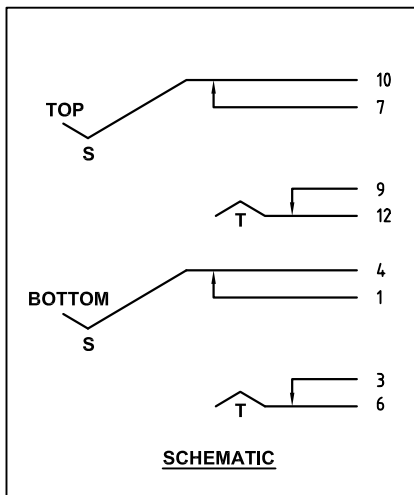
D

E

F



ISO VIEW
SCALE 1:1



NOTE: OPTIONAL MOUNTING HOLE FOR SELF-TAPPING M2 SCREW

CATALOGUE P/N	NUT OPTION
ACJM-LHDM	NO NUT & WASHER
ACJM-MHDM	METAL NUT & WASHER INCLUDED

UNLESS OTHERWISE SPECIFIED TOLERANCE TO BE	THIS DOCUMENT IS THE PROPERTY OF AMPHENOL AUSTRALIA PTY. LTD. NO PART THEREOF MAY BE REPRODUCED AND USED WITHOUT THE PRIOR WRITTEN CONSENT OF THE OWNER			0	FIRST ISSUE	M.H	05-03-10	----
	LINEAR	ANGULAR		REV.	CHANGE DETAILS	BY	DATE	CHG/No
X ± 0.5 X.X ± 0.20 X.XX ± 0.10	X° ± 1° X°X' ± 30' X°X'X" ± 15'		CAD FILE: 55010659001120	DRN: M.H	DATE: 05-03-10	TITLE: 1/4" PHONE MONO DUAL JACK CUSTOMER DRAWING		
BREAK ALL SHARP EDGES AND REMOVE ALL BURRS	MATL: REFER TO COMPONENT	CKD: M.H	DATE: 05-03-10	APP'D: P.M	DATE: 05-03-10	DRAWING No. Amphenol Amphenol Australia Pty.Ltd, 2 Fireweys Blvd, Keysborough, Vic3173		
DO NOT SCALE	FINISH: REFER TO COMPONENT	SCALE: 2:1 UDS	PART No:	SEE TABLE	SIZE: A3	SHEET 2 OF 2		
DIMENSIONS IN MILLIMETRES		THIRD ANGLE PROJECTION				55010659-001-2		

X-ON Electronics

Largest Supplier of Electrical and Electronic Components

Click to view similar products for [Phone Connectors](#) category:

Click to view products by [Amphenol](#) manufacturer:

Other Similar products are found below :

[M444B](#) [6J1041A](#) [R4F](#) [E12BPKG](#) [ECP4PKG](#) [161-3502L-E](#) [MT333X](#) [171-0350-EX](#) [171-101A-EX](#) [171-3325-EX](#) [176S](#) [NC3MG-V](#)
[NYS228G](#) [P10834](#) [P2380](#) [P2381X](#) [P2411X](#) [P2412](#) [P2724](#) [JM2PB-AU BULK](#) [9144](#) [S2674](#) [280L](#) [163-156N-2-E](#) [163-158N-2-E](#) [171-3308-](#)
[EX](#) [171-3500-E](#) [2501FT](#) [CMT335](#) [M10662](#) [330Q](#) [RJ5VI-S](#) [40116](#) [TM1R-AU](#) [TM2PBMJ-AU](#) [TM2PJ-AU](#) [TM2PJ-AU BULK](#) [4803.1351](#)
[49201](#) [49205](#) [TS3PBJ-AU](#) [TS3PBMJ-AU](#) [TT32BX](#) [54B](#) [40112](#) [40205](#) [XMT332B](#) [52170017-331](#) [570](#) [NM3](#)