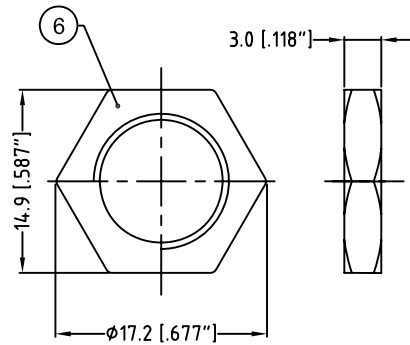
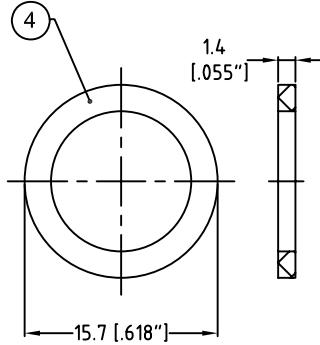


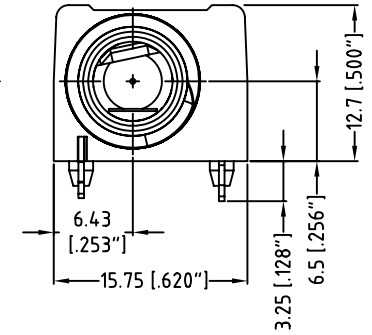
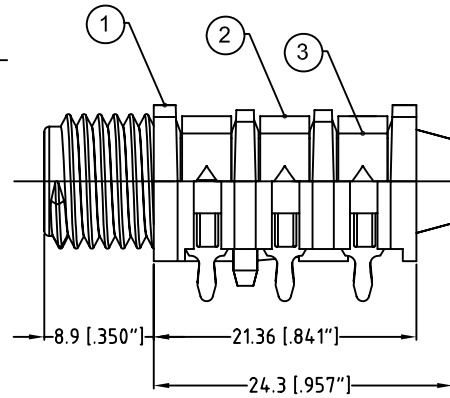
**PLASTIC NUT**



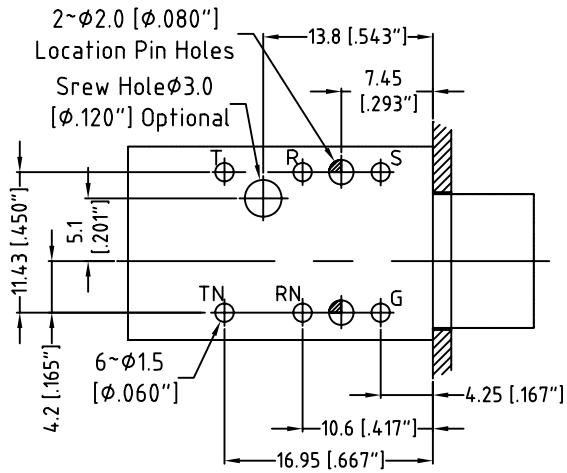
**METAL NUT**



**PLASTIC WASHER**



**PANEL CUTOUT**



**PCB LAYOUT**

PART NO.	ACJM-PHOP-1	ACJS-PHOP-1	PLASTIC BLACK
	ACJM-MHOP-1	ACJS-MHOP-1	METAL NICKEL
SCHEMATIC			NUT OPTION

6	NUT	1	BRASS	NI-PLATED
5	NUT	1	PA66	BLACK
4	WASHER	1	PA66	BLACK
3	FLAT TERMINAL	3	H62Y t=0.4mm	Ag-PLATED, RoHS COMPLIANT
2	SPRING TERMINAL	3	QSn6.5-0.1T t=0.4mm	RoHS COMPLIANT
1	HOUSING	1	PA66 G10	BLACK
NO.	PART NAME	Q'TY	MATERIAL (THICK)	REMARK

UNLESS OTHERWISE SPECIFIED TOLERANCE TO BE		THIS DOCUMENT IS THE PROPERTY OF AMPHENOL AUSTRALIA PTY. LTD.. NO PART THEREOF MAY BE REPRODUCED AND USED WITHOUT THE PRIOR WRITTEN CONSENT OF THE OWNER			0	FIRST ISSUE	M.N.H	27-03-09	----
LINEAR	ANGULAR	CAD FILE: 55010582000110	DRN: M.N.H	DATE: 27-03-09	REV.	CHANGE DETAILS	BY	DATE	CHG/No
X ± 0.5	X° ± 1°	MATERIAL: REFER TO COMPONENT		DATE: 27-03-09	TITLE: 1/4" PHONE OFFSET JACK CUSTOMER DRAWING		Amphenol		
X.X ± 0.1	X°X' ± 30'	FINISH: REFER TO COMPONENT		DATE: 27-03-09	SCALE: 1:1		Amphenol Australia Pty.Ltd, 2 Fineways Blvd, Keysborough, Vic.3173		
X.XX ± 0.05	X°X'X" ± 15"	DO NOT SCALE		DATE: 27-03-09	PART No: REFER TO SCHEMATIC		DRAWING NO. 55010582-000-1 SHEET 1 OF 1		
DIMENSIONS IN MILLIMETRES		THIRD ANGLE PROJECTION		SCALE: 1:1		PART No: REFER TO SCHEMATIC		SIZE: A4	

## X-ON Electronics

Largest Supplier of Electrical and Electronic Components

*Click to view similar products for [Phone Connectors](#) category:*

*Click to view products by [Amphenol](#) manufacturer:*

Other Similar products are found below :

[M444B](#) [6J1041A](#) [R4F](#) [E12BPKG](#) [ECP4PKG](#) [161-3502L-E](#) [MT333X](#) [171-0350-EX](#) [171-101A-EX](#) [171-3325-EX](#) [176S](#) [NC3MG-V](#)  
[NYS228G](#) [P10834](#) [P2380](#) [P2381X](#) [P2411X](#) [P2412](#) [P2724](#) [JM2PB-AU BULK](#) [9144](#) [S2674](#) [280L](#) [163-156N-2-E](#) [163-158N-2-E](#) [171-3308-](#)  
[EX](#) [171-3500-E](#) [2501FT](#) [CMT335](#) [M10662](#) [330Q](#) [RJ5VI-S](#) [40116](#) [TM1R-AU](#) [TM2PBMJ-AU](#) [TM2PJ-AU](#) [TM2PJ-AU BULK](#) [4803.1351](#)  
[49201](#) [49205](#) [TS3PBJ-AU](#) [TS3PBMJ-AU](#) [TT32BX](#) [54B](#) [40112](#) [40205](#) [XMT332B](#) [52170017-331](#) [570](#) [NM3](#)