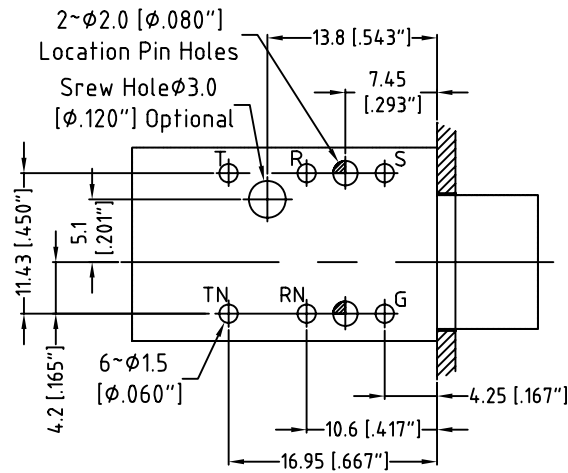
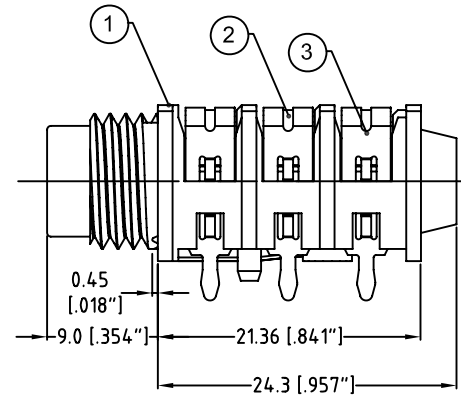
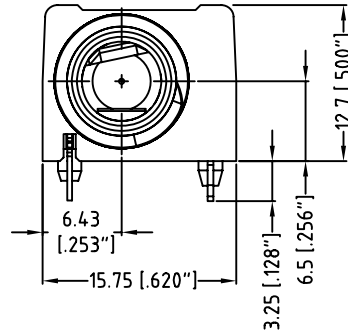
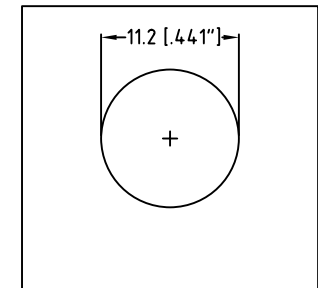
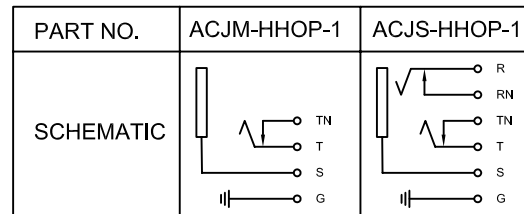


3D VIEW



PCB LAYOUT



PANEL CUTOUT

UNLESS OTHERWISE SPECIFIED TOLERANCE TO BE		THIS DOCUMENT IS THE PROPERTY OF AMPHENOL AUSTRALIA PTY. LTD.. NO PART THEREOF MAY BE REPRODUCED AND USED WITHOUT THE PRIOR WRITTEN CONSENT OF THE OWNER				0	FIRST ISSUE	M.N.H	10-11-09	----
LINEAR	ANGULAR	CAD FILE: 55010583000110	DRN: M.H	DATE: 10-11-09	REV.	CHANGE DETAILS	BY	DATE	CHG/No	
X ± 0.5	X* ± 1°	MATERIAL: REFER TO COMPONENT		DATE: 10-11-09	TITLE: 1/4" PHONE OFFSET JACK CUSTOMER DRAWING		Amphenol			
X/X ± 0.1	X/X* ± 30°	FINISH: REFER TO COMPONENT		DATE: 10-11-09	DRAWING NO. 55010583-000-1		Amphenol Australia Pty Ltd, 2 Freeways Blvd, Keysborough, Vic.3173			
X/X ± 0.05	X/X* ± 15°	DO NOT SCALE		SCALE: 1:1	PART No: REFER TO SCHEMATIC		SIZE: A4		SHEET 1 OF 1	

3	FLAT TERMINAL	3	H62Y t=0.4mm	Ag-PLATED,
2	SPRING TERMINAL	3	QSn6.5-0.1T t=0.4mm	RoHS COMPLIANT
1	HOUSING	1	PA66 G10	BLACK
NO.	PART NAME	Q'TY	MATERIAL (THICK)	REMARK

1

2

3

4

5

6

X-ON Electronics

Largest Supplier of Electrical and Electronic Components

Click to view similar products for [Phone Connectors](#) category:

Click to view products by [Amphenol](#) manufacturer:

Other Similar products are found below :

[M444B](#) [6J1041A](#) [R4F](#) [E12BPKG](#) [ECP4PKG](#) [161-3502L-E](#) [MT333X](#) [171-0350-EX](#) [171-101A-EX](#) [171-3325-EX](#) [176S](#) [NC3MG-V](#)
[NYS228G](#) [P10834](#) [P2380](#) [P2381X](#) [P2411X](#) [P2412](#) [P2724](#) [JM2PB-AU BULK](#) [9144](#) [S2674](#) [280L](#) [163-156N-2-E](#) [163-158N-2-E](#) [171-3308-](#)
[EX](#) [171-3500-E](#) [2501FT](#) [CMT335](#) [M10662](#) [330Q](#) [RJ5VI-S](#) [40116](#) [TM1R-AU](#) [TM2PBMJ-AU](#) [TM2PJ-AU](#) [TM2PJ-AU BULK](#) [4803.1351](#)
[49201](#) [49205](#) [TS3PBJ-AU](#) [TS3PBMJ-AU](#) [TT32BX](#) [54B](#) [40112](#) [40205](#) [XMT332B](#) [52170017-331](#) [570](#) [NM3](#)