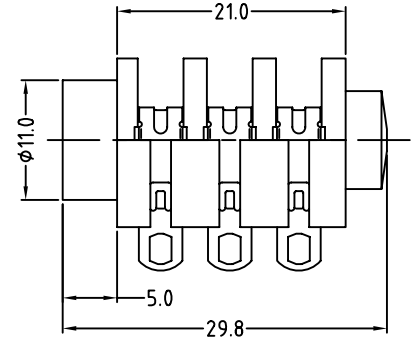
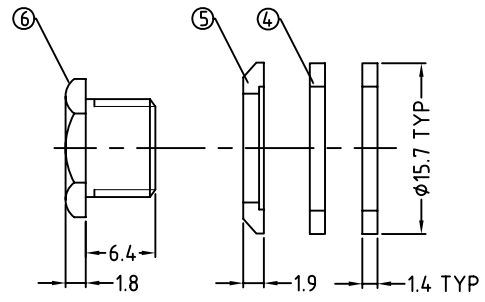


PANEL CUTOUT



PART NO.	ACJM-IHS	ACJS-IHS
SCHEMATIC		
		R
		RN
		TN
		T
	SN	
	S	

NO.	PART NAME	Q'TY	MATERIAL	FINISH	REMARK
6	BUSHING	1	H59 (BRASS)	Ni-PLATED	RoHS COMPLIANT
5	WASHER A	1	PA66 BLACK		RoHS COMPLIANT
4	WASHER B	2	PA66 BLACK		RoHS COMPLIANT
3	TERMINAL	3	H62 t=0.4 (C2680R-H)	Ag-PLATED	RoHS COMPLIANT
2	SPRING TERMINAL	3	QSn6.5-0.1 t=0.4 (C5210R-H)	Ag-PLATED	RoHS COMPLIANT
1	HOUSING	1	PA66 BLACK		RoHS COMPLIANT

UNLESS OTHERWISE SPECIFIED TOLERANCE TO BE	
LINEAR	ANGULAR
X ± 0.5	X° ± 1°
X.X ± 0.25	X°X' ± 30'
X.XX ± 0.1	X°X'X" ± 15"

THIS DOCUMENT IS THE PROPERTY OF AMPHENOL AUSTRALIA PTY. LTD. NO PART THEREOF MAY BE REPRODUCED AND USED WITHOUT THE PRIOR WRITTEN CONSENT OF THE OWNER			
CAD FILE: 55010643000110	DRN: M.H	DATE: 08-12-09	TITLE: 1/4" SOLDER LUG PHONE JACK CUSTOMER DRAWING
MATL: REFER TO COMPONENT	CKD: M.H	DATE: 04-08-11	
DO NOT SCALE	FINISH: REFER TO COMPONENT	APP'D: P.M	DATE: 04-08-11
DIMENSIONS IN MILLIMETRES	THIRD ANGLE PROJECTION	SCALE: 2:1 UDS	PART No: REFER TO SCHEMATIC

1	CHANGE LENGTH OF THE NUT FROM 7.7mm TO 6.4mm CORRECT DIMENSION TO ACTUAL PART	M.H	04-08-11	9035
0	FIRST ISSUE	M.H	08-12-09	----
REV.	CHANGE DETAILS	BY	DATE	CHG/No

Amphenol
Amphenol Australia Pty.Ltd, 2 Fireweys Blvd, Keysborough, Vic3173
DRAWING NO. 55010643-000-1 SHEET 1 OF 1

X-ON Electronics

Largest Supplier of Electrical and Electronic Components

Click to view similar products for [Phone Connectors](#) category:

Click to view products by [Amphenol](#) manufacturer:

Other Similar products are found below :

[M444B](#) [6J1041A](#) [R4F](#) [E12BPKG](#) [ECP4PKG](#) [161-3502L-E](#) [MT333X](#) [171-0350-EX](#) [171-101A-EX](#) [171-3325-EX](#) [176S](#) [NC3MG-V](#)
[NYS228G](#) [P10834](#) [P2380](#) [P2381X](#) [P2411X](#) [P2412](#) [P2724](#) [JM2PB-AU BULK](#) [9144](#) [S2674](#) [280L](#) [163-156N-2-E](#) [163-158N-2-E](#) [171-3308-](#)
[EX](#) [171-3500-E](#) [2501FT](#) [CMT335](#) [M10662](#) [330Q](#) [RJ5VI-S](#) [40116](#) [TM1R-AU](#) [TM2PBMJ-AU](#) [TM2PJ-AU](#) [TM2PJ-AU BULK](#) [4803.1351](#)
[49201](#) [49205](#) [TS3PBJ-AU](#) [TS3PBMJ-AU](#) [TT32BX](#) [54B](#) [40112](#) [40205](#) [XMT332B](#) [52170017-331](#) [570](#) [NM3](#)