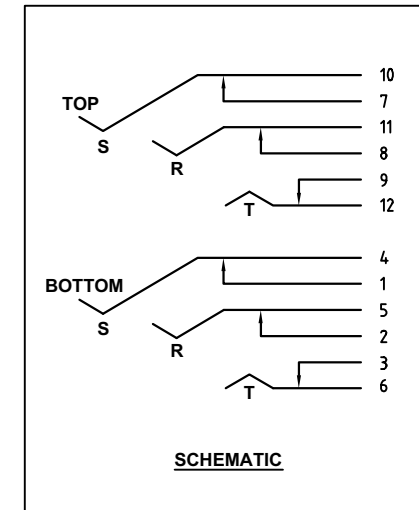
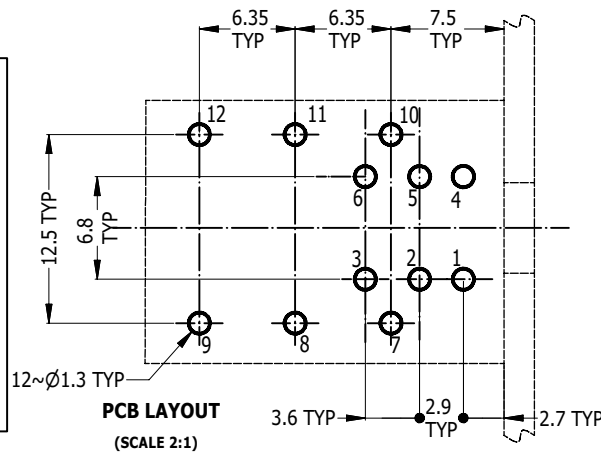
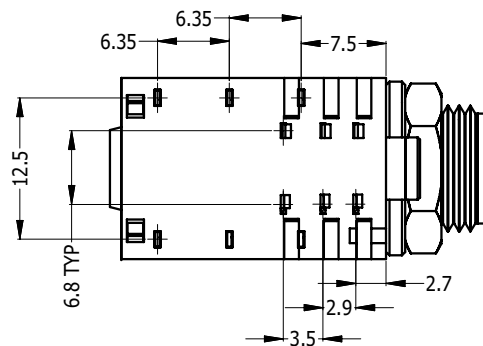
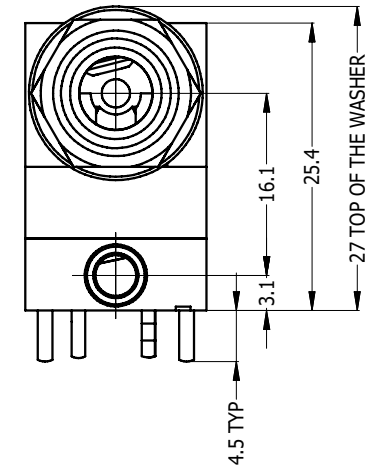
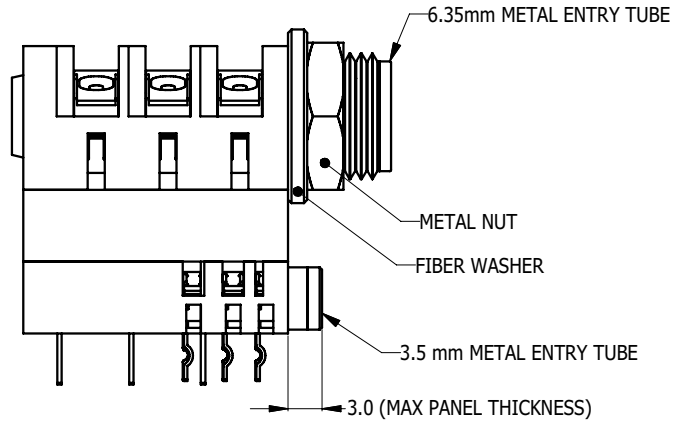
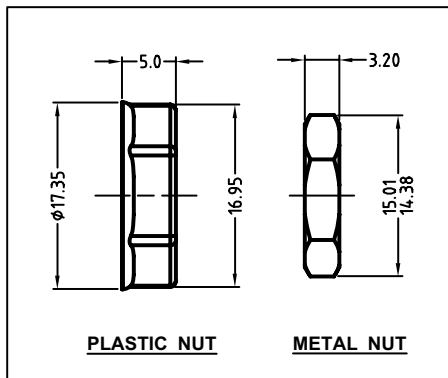
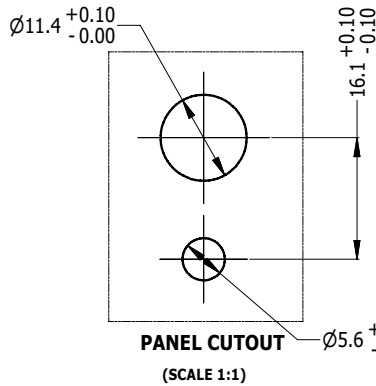
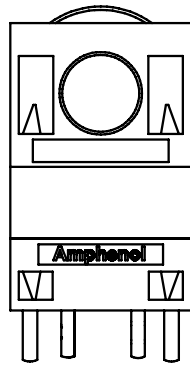
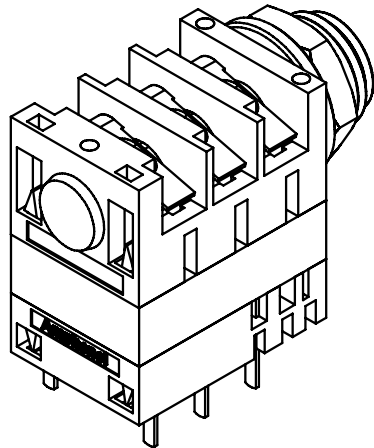


ISO VIEW



ACJS-MHD985	3.5mm & 1/4" STEREO PHONE DUAL JACK - METAL NUT
ACJS-PHD985	3.5mm & 1/4" STEREO PHONE DUAL JACK - PLASTIC NUT
ACJM-MHD985	3.5mm & 1/4" MONO PHONE DUAL JACK - METAL NUT
ACJM-PHD985	3.5mm & 1/4" MONO PHONE DUAL JACK - PLASTIC NUT

UNLESS OTHERWISE SPECIFIED TOLERANCE TO BE	
LINEAR	ANGULAR
X ±0.5	X° ±1
X.X ±0.25	X.X° ±30'
X.XX ±0.10	X.XX° ±15'

BREAK ALL SHARP EDGES AND REMOVE ALL BURRS

DO NOT SCALE

THIS DOCUMENT IS THE PROPERTY OF AMPHENOL AUSTRALIA PTY. LTD.  
NO PART THEREOF MAY BE REPRODUCED AND USED WITHOUT THE PRIOR WRITTEN CONSENT OF THE OWNER

CAD FILE: 55010386000110	DRN: T.N	DATE: 28/09/06
MATL: REFER TO COMPONENT	CKD: M.H	DATE: 24/01/11
FINISH: REFER TO COMPONENT	APP'D: P.M	DATE: 24/01/11

REV	DESCRIPTION	BY	DATE	CHG NOTE
0	FIRST ISSUED	M.H	09/02/09	8798
1	CORRECT PCB PROFILE FROM STRAIGHT TO RETAINER STYLE, REF LOCATION 4D	M.H	24/01/2011	8978

<b>6.35mm &amp; 3.5mm HORIZONTAL DUAL JACK</b>	<b>Amphenol</b> <small>Amphenol Australia Pty.Ltd, 2 Fiveways Blvd, Keysborough, Vic3173</small>
SEE TABLE	SHEET <b>1/1</b>

PART NUMBER	DESCRIPTION	DIMENSIONS IN MILLIMETRES	THIRD ANGLE PROJECTION	SCALE: 3:2	PART No:	SIZE: A4
-------------	-------------	---------------------------	------------------------	------------	----------	----------

## X-ON Electronics

Largest Supplier of Electrical and Electronic Components

*Click to view similar products for [Phone Connectors](#) category:*

*Click to view products by [Amphenol](#) manufacturer:*

Other Similar products are found below :

[M444B](#) [6J1041A](#) [R4F](#) [E12BPKG](#) [ECP4PKG](#) [161-3502L-E](#) [MT333X](#) [171-0350-EX](#) [171-101A-EX](#) [171-3325-EX](#) [176S](#) [NC3MG-V](#)  
[NYS228G](#) [P10834](#) [P2380](#) [P2381X](#) [P2411X](#) [P2412](#) [P2724](#) [JM2PB-AU BULK](#) [9144](#) [S2674](#) [280L](#) [163-156N-2-E](#) [163-158N-2-E](#) [171-3308-](#)  
[EX](#) [171-3500-E](#) [2501FT](#) [CMT335](#) [M10662](#) [330Q](#) [RJ5VI-S](#) [40116](#) [TM1R-AU](#) [TM2PBMJ-AU](#) [TM2PJ-AU](#) [TM2PJ-AU BULK](#) [4803.1351](#)  
[49201](#) [49205](#) [TS3PBJ-AU](#) [TS3PBMJ-AU](#) [TT32BX](#) [54B](#) [40112](#) [40205](#) [XMT332B](#) [52170017-331](#) [570](#) [NM3](#)