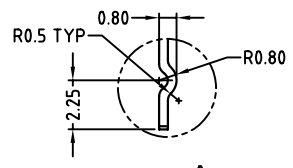
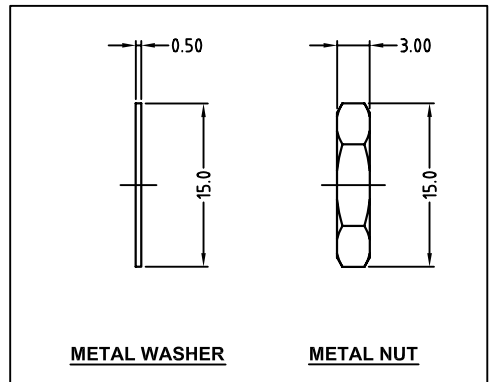
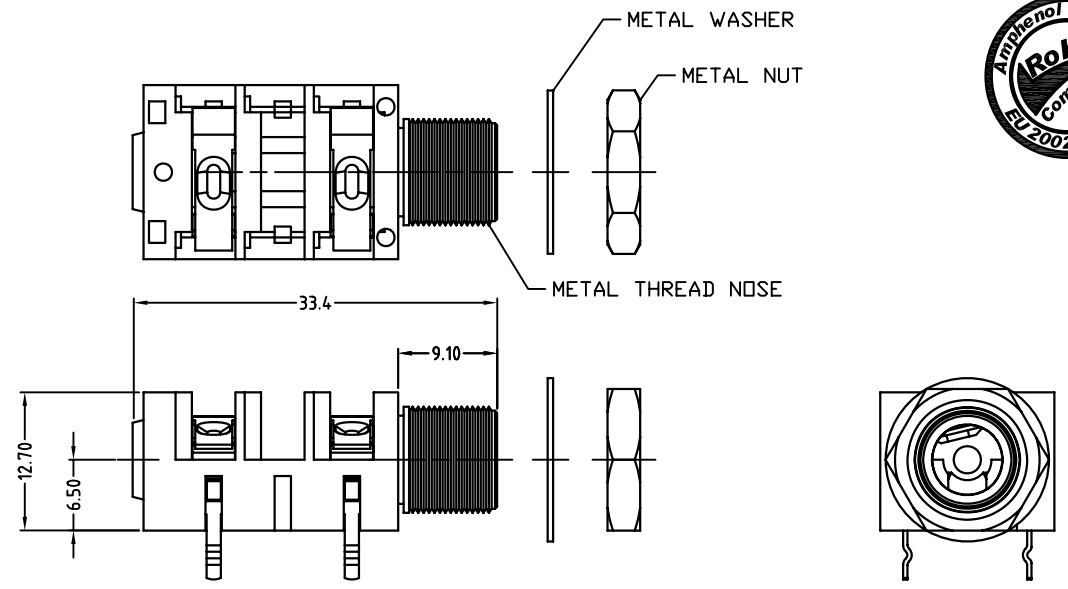
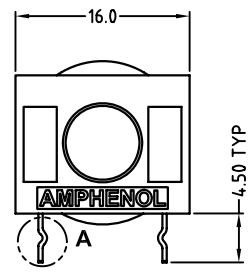


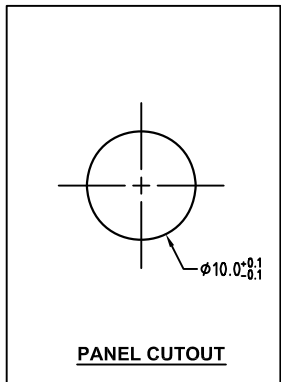
ISO VIEW
SCALE 1:1



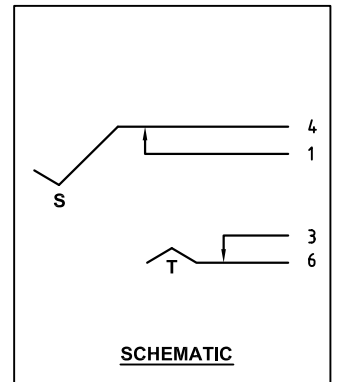
DETAIL A
SCALE 4:1



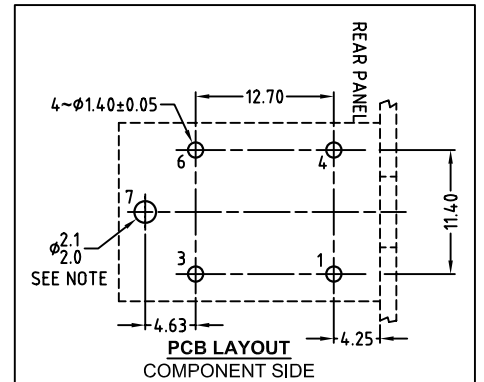
METAL WASHER **METAL NUT**



PANEL CUTOUT



SCHEMATIC



PCB LAYOUT
COMPONENT SIDE

NOTE: OPTIONAL MOUNTING HOLE FOR SELF-TAPPING M2 SCREW

CATALOGUE P/N	NUT OPTION
ACJM-LHDRM	NO NUT & WASHER
ACJM-MHDRM	METAL NUT & WASHER INCLUDED

UNLESS OTHERWISE SPECIFIED TOLERANCE TO BE	THIS DOCUMENT IS THE PROPERTY OF AMPHENOL AUSTRALIA PTY. LTD. NO PART THEREOF MAY BE REPRODUCED AND USED WITHOUT THE PRIOR WRITTEN CONSENT OF THE OWNER		0	FIRST ISSUE	M.N.H	11-03-10	----
	LINEAR	ANGULAR	REV.	CHANGE DETAILS	BY	DATE	CHG/No
X ± 0.5 X.X ± 0.2 X.XX ± 0.1	X° ± 1° X°X' ± 30' X°X'X" ± 15'	CAD FILE: 55010661001110	DRN: M.H	DATE: 11-03-10	TITLE: 1/4" PHONE MONO JACK CUSTOMER DRAWING		
BREAK ALL SHARP EDGES AND REMOVE ALL BURRS	MATL: REFER TO COMPONENTS	CKD: M.N.H	DATE: 11-03-10	DRAWING No. 55010661-001-2			
DO NOT SCALE	FINISH: REFER TO COMPONENTS	APP'D: P.M	DATE: 11-03-10	SHEET 2 OF 2			
DIMENSIONS IN MILLIMETRES		THIRD ANGLE PROJECTION	SCALE: 2:1 UOS	PART No: REFER TO TABLE	SIZE: A3	55010661-001-2	



X-ON Electronics

Largest Supplier of Electrical and Electronic Components

Click to view similar products for [Phone Connectors](#) category:

Click to view products by [Amphenol](#) manufacturer:

Other Similar products are found below :

[M444B](#) [6J1041A](#) [R4F](#) [E12BPKG](#) [ECP4PKG](#) [161-3502L-E](#) [MT333X](#) [171-0350-EX](#) [171-101A-EX](#) [171-3325-EX](#) [176S](#) [NC3MG-V](#)
[NYS228G](#) [P10834](#) [P2380](#) [P2381X](#) [P2411X](#) [P2412](#) [P2724](#) [JM2PB-AU BULK](#) [9144](#) [S2674](#) [280L](#) [163-156N-2-E](#) [163-158N-2-E](#) [171-3308-](#)
[EX](#) [171-3500-E](#) [2501FT](#) [CMT335](#) [M10662](#) [330Q](#) [RJ5VI-S](#) [40116](#) [TM1R-AU](#) [TM2PBMJ-AU](#) [TM2PJ-AU](#) [TM2PJ-AU BULK](#) [4803.1351](#)
[49201](#) [49205](#) [TS3PBJ-AU](#) [TS3PBMJ-AU](#) [TT32BX](#) [54B](#) [40112](#) [40205](#) [XMT332B](#) [52170017-331](#) [570](#) [NM3](#)