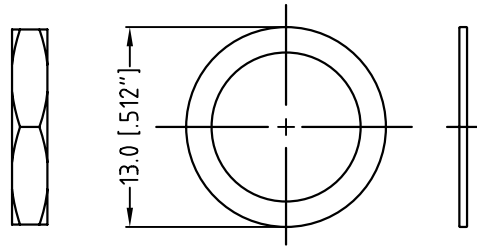
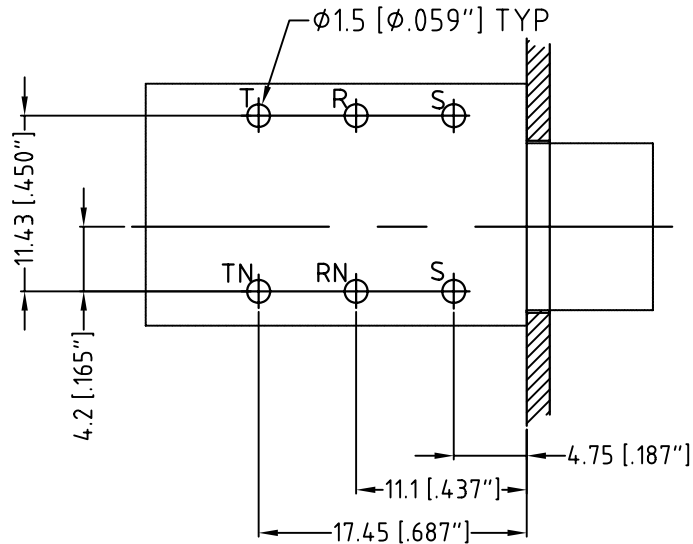
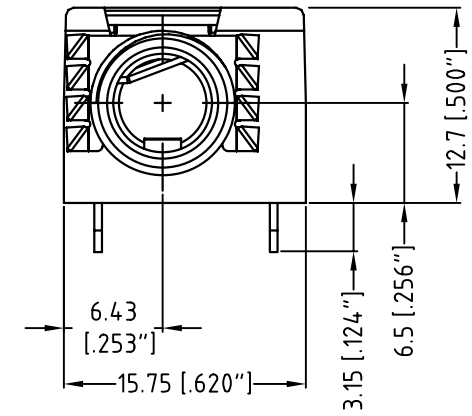
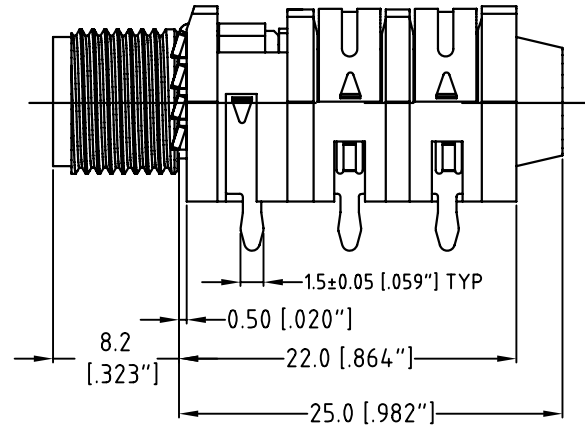


**METAL NUT**



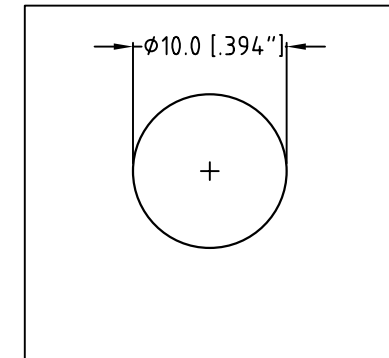
**METAL WASHER**



**RECOMMENDED PCB - LAYOUT**

TOLERANCE: ±0.05mm [0.002"]

PART NO.	ACJM-MHOM	ACJS-MHOM
SCHEMATIC		



**PANEL CUTOUT**

UNLESS OTHERWISE SPECIFIED TOLERANCE TO BE		THIS DOCUMENT IS THE PROPERTY OF AMPHENOL AUSTRALIA PTY. LTD.. NO PART THEREOF MAY BE REPRODUCED AND USED WITHOUT THE PRIOR WRITTEN CONSENT OF THE OWNER			
LINEAR	ANGULAR	CAD FILE: 55010411000111	DRN: M.N.H	DATE: 06-02-07	TITLE:
X ± 0.5	X° ± 1°	MATL: SEE NOTES	CKD: M.H	DATE: 10-02-10	1/4" PHONE OFFSET JACK CUSTOMER DRAWING
X.X ± 0.2	X°X' ± 30'	DO NOT SCALE	FINISH: SEE NOTES	DATE: 10-02-10	
X.XX ± 0.1	X°X'X" ± 15"	DIMENSIONS IN MILLIMETRES	THIRD ANGLE PROJECTION	SCALE: 1:1	PART No: REFER TO SCHEMATIC

1	UPDATE DRAWING TO MEET PRODUCTION PART	MH	10-02-10	----
0	FIRST ISSUE	M.N.H	06-02-07	----
REV.	CHANGE DETAILS	BY	DATE	CHG/No
DRAWING NO. 55010411-000-1		SHEET 1 OF 1		

**Amphenol**  
Amphenol Australia Pty.Ltd, 2 Freeways Blvd, Keysborough, Vic.3173

## X-ON Electronics

Largest Supplier of Electrical and Electronic Components

*Click to view similar products for [Phone Connectors](#) category:*

*Click to view products by [Amphenol](#) manufacturer:*

Other Similar products are found below :

[M444B](#) [6J1041A](#) [R4F](#) [E12BPKG](#) [ECP4PKG](#) [161-3502L-E](#) [MT333X](#) [171-0350-EX](#) [171-101A-EX](#) [171-3325-EX](#) [176S](#) [NC3MG-V](#)  
[NYS228G](#) [P10834](#) [P2380](#) [P2381X](#) [P2411X](#) [P2412](#) [P2724](#) [JM2PB-AU BULK](#) [9144](#) [S2674](#) [280L](#) [163-156N-2-E](#) [163-158N-2-E](#) [171-3308-](#)  
[EX](#) [171-3500-E](#) [2501FT](#) [CMT335](#) [M10662](#) [330Q](#) [RJ5VI-S](#) [40116](#) [TM1R-AU](#) [TM2PBMJ-AU](#) [TM2PJ-AU](#) [TM2PJ-AU BULK](#) [4803.1351](#)  
[49201](#) [49205](#) [TS3PBJ-AU](#) [TS3PBMJ-AU](#) [TT32BX](#) [54B](#) [40112](#) [40205](#) [XMT332B](#) [52170017-331](#) [570](#) [NM3](#)