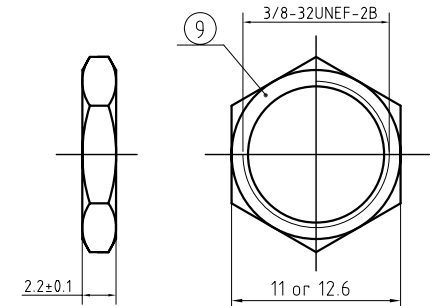
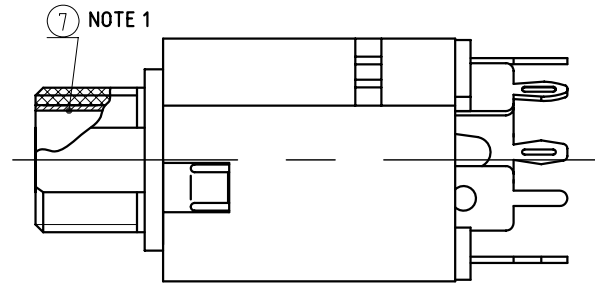


PCB MOUNTING HOLES(±0.1)
(COMPONENT SIDE)



HEX NUT

FLAT WASHER

PART No.	ACJM-MIV-2	ACJM-MIV-2S	ACJS-MIV-3	ACJS-MIV-3S	ACJS-MIV-5
SCHEMATIC					

9	HEX NUT	1	H59 (COPPER ALLOY)	Ni-PLATED(Cu:2-3um, Ni:2-3um) RoHS COMPLIANT
8	FLAT WASHER	1	H62Y OR STEEL t=0.5	
7	METAL TUBE	1	H59 (COPPER ALLOY)	Ag-PLATED(Cu:2-3um, Ag:0.3um) RoHS COMPLIANT
6	BODY	1	PBT G10 94HB	
5	5# TERMINAL	1	H62Y t=0.4 (C2680R-H)	
4	4# TERMINAL	1	H62Y t=0.4 (C2680R-H)	
3	3# TERMINAL	1	QSn6.5-0.1Y t=0.35 (C5210R-H)	
2	2# TERMINAL	1	QSn6.5-0.1Y t=0.4 (C5210R-H)	
1	1# TERMINAL	1	QSn6.5-0.1Y t=0.4 (C5210R-H)	
NO.	NAME	QTY	MATERIAL(THICK,COLOR)	REMARK

NOTE 1: METAL TUBE IS NOT CONNECTED TO TERMINAL 1

UNLESS OTHERWISE SPECIFIED TOLERANCE TO BE		THIS DOCUMENT IS THE PROPERTY OF AMPHENOL AUSTRALIA PTY. LTD.. NO PART THEREOF MAY BE REPRODUCED AND USED WITHOUT THE PRIOR WRITTEN CONSENT OF THE OWNER				0	FIRST ISSUE	M.H	19-11-09	----
LINEAR	ANGULAR	CAD FILE: 55010639000110		DRN: M.H	DATE: 19-11-09	REV.	CHANGE DETAILS	BY	DATE	CHG/No
X ± 0.5	X° ± 1°	MATERIAL: SEE TABLE		CKD: M.H	DATE: 19-11-09	TITLE: 6.5mm INSULATED VERTICAL JACK CUSTOMER DRAWING		Amphenol <small>Amphenol Australia Pty Ltd, 2 Fireways Blvd, Keysborough, Vic.3173</small>		
X.X ± 0.1	X°X' ± 30'	FINISH: SEE TABLE		APP'D: M.H	DATE: 19-11-09	DRAWING NO. 55010639-000-1		SHEET 1 OF 1		
X.XX ± 0.05	X°X'X" ± 15"	DO NOT SCALE		SCALE: NTS	PART No: SEE TABLE	SIZE: A4				
DIMENSIONS IN MILLIMETRES		THIRD ANGLE PROJECTION		SCALE: NTS		PART No: SEE TABLE		SIZE: A4		

1

2

3

4

5

6

X-ON Electronics

Largest Supplier of Electrical and Electronic Components

Click to view similar products for [Phone Connectors](#) category:

Click to view products by [Amphenol](#) manufacturer:

Other Similar products are found below :

[M444B](#) [6J1041A](#) [R4F](#) [E12BPKG](#) [ECP4PKG](#) [161-3502L-E](#) [MT333X](#) [171-0350-EX](#) [171-101A-EX](#) [171-3325-EX](#) [176S](#) [NC3MG-V](#)
[NYS228G](#) [P10834](#) [P2380](#) [P2381X](#) [P2411X](#) [P2412](#) [P2724](#) [JM2PB-AU BULK](#) [9144](#) [S2674](#) [280L](#) [163-156N-2-E](#) [163-158N-2-E](#) [171-3308-](#)
[EX](#) [171-3500-E](#) [2501FT](#) [CMT335](#) [M10662](#) [330Q](#) [RJ5VI-S](#) [40116](#) [TM1R-AU](#) [TM2PBMJ-AU](#) [TM2PJ-AU](#) [TM2PJ-AU BULK](#) [4803.1351](#)
[49201](#) [49205](#) [TS3PBJ-AU](#) [TS3PBMJ-AU](#) [TT32BX](#) [54B](#) [40112](#) [40205](#) [XMT332B](#) [52170017-331](#) [570](#) [NM3](#)